

## Short life span of roof sign lighting bulbs on CR19T

### Background

Bulbs in the roof sign lighting are shown to have a short life span.

### Action

To increase the life span of the bulbs, the voltage has been reduced, by means of a resistor, built into the cable harness. To compensate for loss of brightness from the bulbs, a reflector is added.

The new roof sign lighting also has improved lenses, new gaskets and improved vibration dampers.

The new roof sign lighting is introduced in production from the following chassis number:

Scania Södertälje	1 245 276
Scania Zwolle	4 402 275
Scania Angers	9 037 228
Scania Latin America	

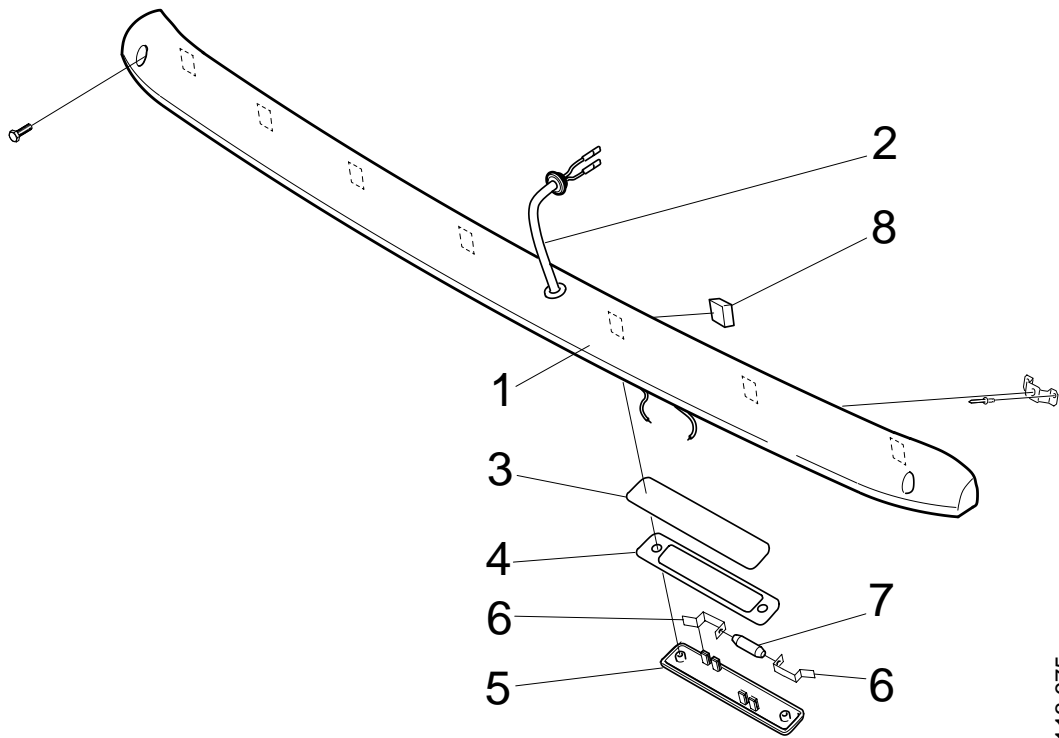
### Work description

1. Disconnect the cable from the batteries negative terminal.
2. Remove the roof sign lighting according to the Service handbook 18:01-08.
3. Open the roof sign lighting and disconnect the cables from their connections.
4. Remove the cable harness from the roof sign lighting.
5. Fit the new cable harness. Ensure that the

resistors cables are not stretched.

6. Fit the gaskets and lenses.
7. Fit the bulb holders to the lenses and screw the lenses onto the roof sign lighting.
8. Fit the extra vibration dampers to the rear of the roof sign lighting.
9. Re-fit the roof sign lighting onto the cab according to the Service handbook 18:01-08.
10. Reconnect the cable to the batteries negative terminal.

*Figure on next page.*



113 975

- 1 Roof sign lighting armature
- 2 Cable harness
- 3 Reflector
- 4 Gasket
- 5 Lens
- 6 Bulb holder
- 7 Bulb
- 8 Vibration damper

**Items**

Name	Deleted items	Added items
Lamp complete	1 370 702	1 427 215
Repair kit with lenses, cable harness, seals, reflector and vibration damper	-	1 428 395

cardiagn.com