

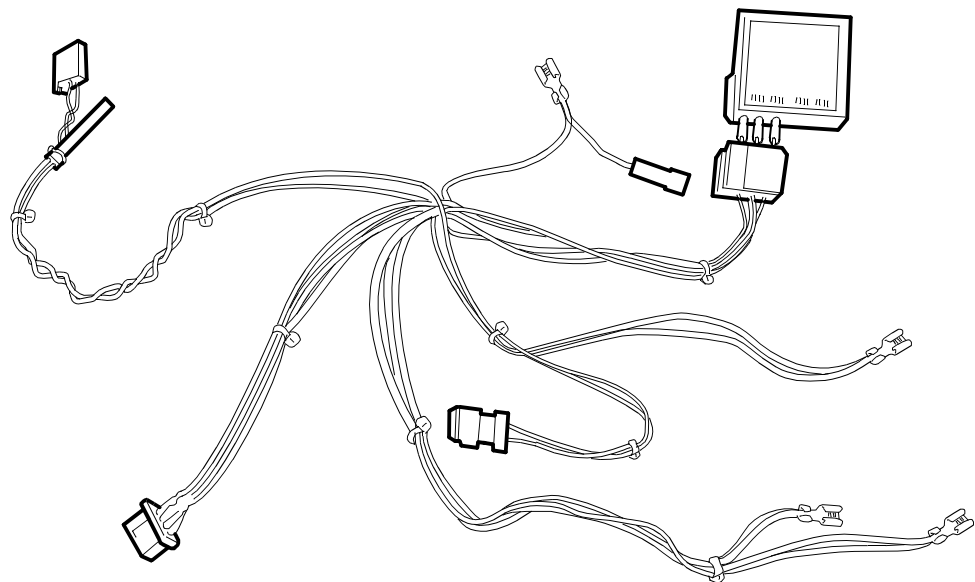
SCANIA

19:03-12

Issue 1.1 en

FMS interface with trip computer

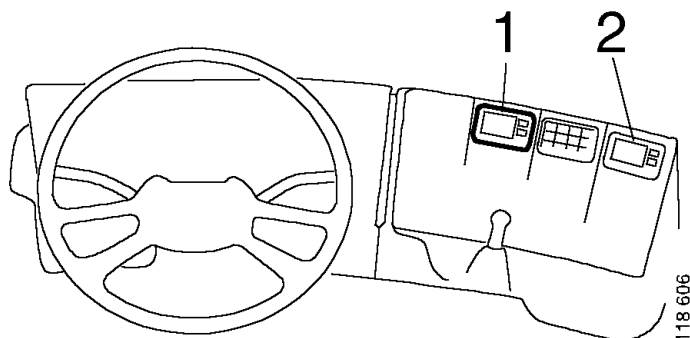
Work Description



118 798

cardiagn.com

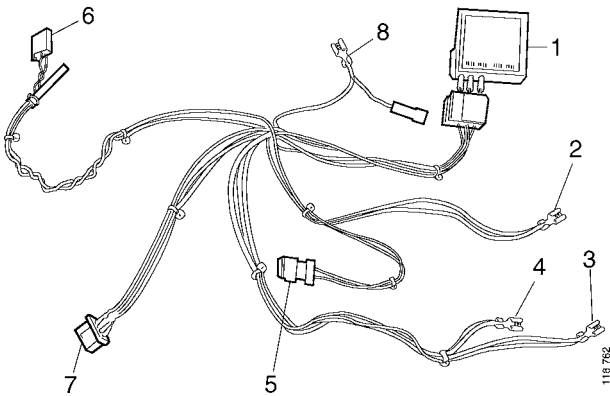
Location of trip computer



- 1 *Normal location of trip computer E22, panel D*
- 2 *Alternative location of trip computer E22, panel F*

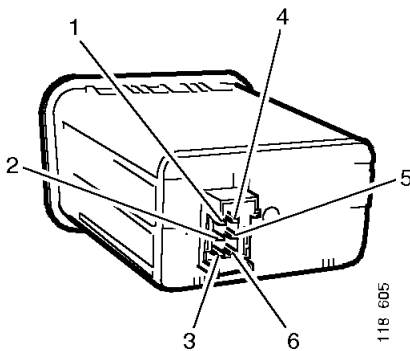
The trip computer is normally located in panel D (1 in the illustration above). The diagnostic panel which is normally located in panel D has been moved to panel F (2 in the illustration above). However, it is possible to locate the trip computer in panel F.

FMS wiring

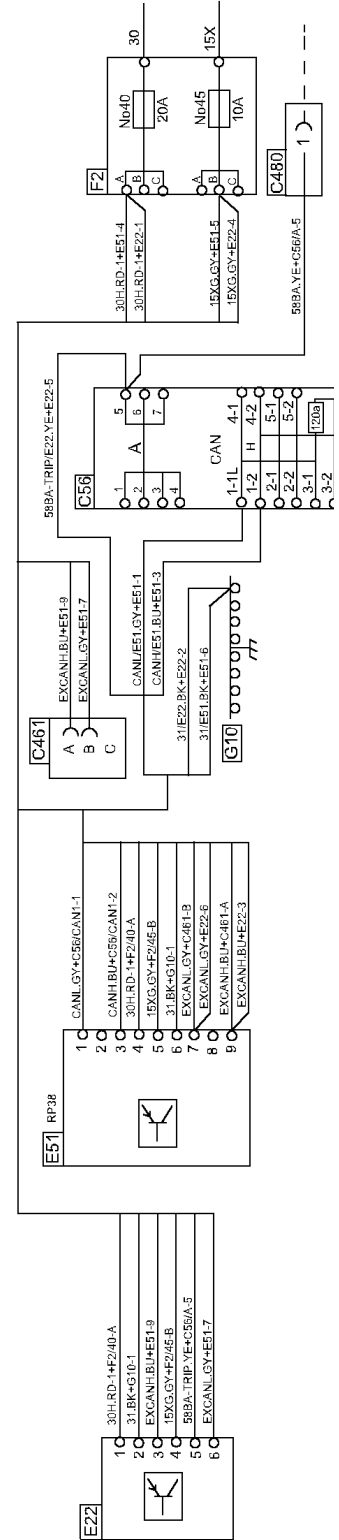
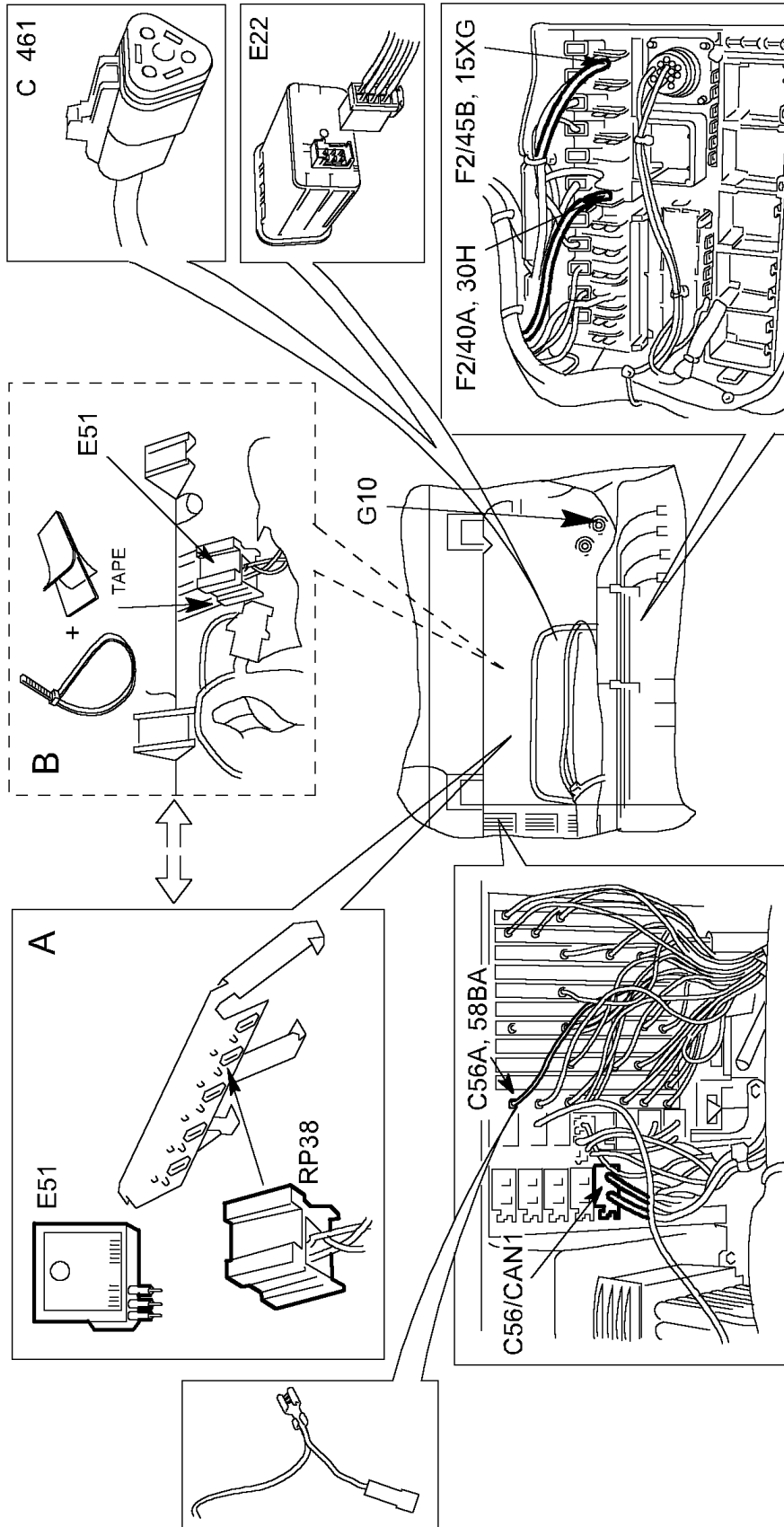


- 1 FMS control unit, E51
- 2 Earth connection, G10
- 3 Voltage, 15-supply
- 4 Voltage, 30-supply
- 5 CAN connection for external FMS, C461, output signal
- 6 Connection to vehicle CAN bus, input signal
- 7 Connection to trip computer, E22
- 8 Connection for instrument lighting, 58BA

Trip computer connections



- 1 Voltage, 30-supply
- 2 Earth connection, G10
- 3 Connection to vehicle CAN bus, high
- 4 Voltage, 15-supply
- 5 Connection for display lighting, 58BA
- 6 Connection to vehicle CAN bus, low



cardiagn.com