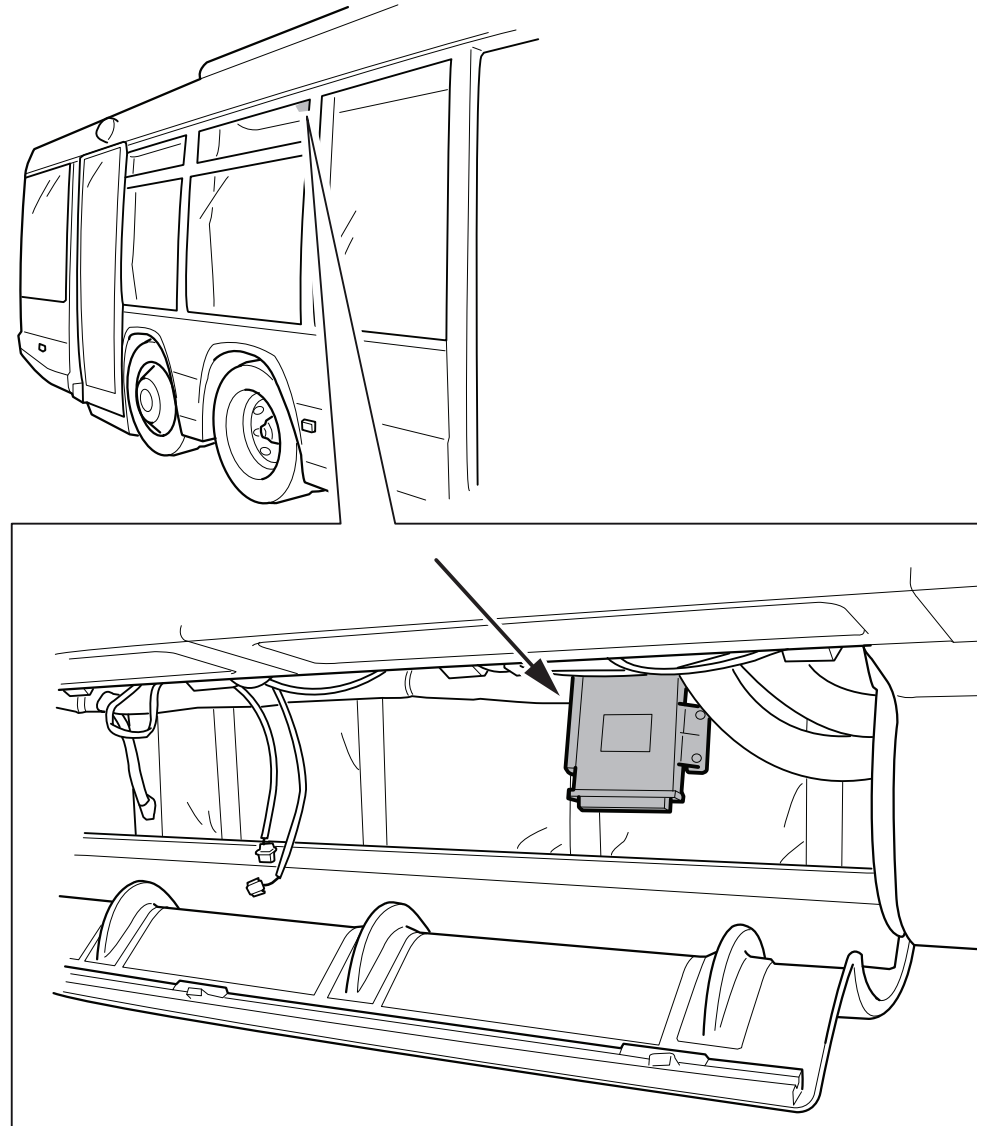
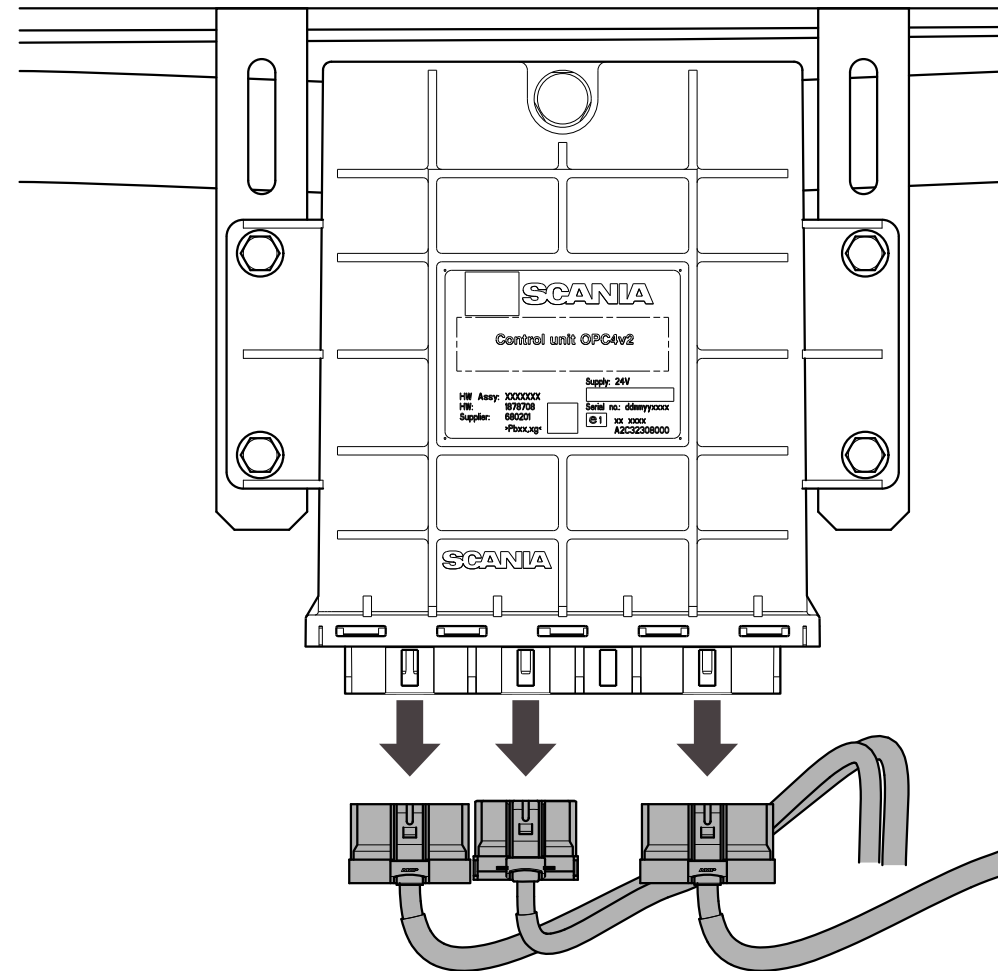


Removal

1. Perform the steps in Before all workshop operations; see Procedures for all workshop operations on hybrid vehicles.
2. Open the hatch in the ceiling by the control unit.



3. Detach the electrical connections from the control unit.



4. Remove the screws securing the control unit and remove it.

