





©201417 DAF Trucks N.V., Eindhoven,  
The Netherlands.

In the interest of continuing product development,  
DAF reserves the right to change specifications  
or products at any time without prior notice.

No part of this publication may be reproduced  
and/or published by printing, by photocopying, on  
microfilm or in any way whatsoever without the  
prior consent in writing of DAF Trucks N.V.



**EMERGENCY RESPONSE GUIDE**



**TABLE OF CONTENTS**

	<b>Page</b>	<b>Date</b>
<b>1. SECURING THE VEHICLE</b> .....	1-1 .....	201417
1.1 Switching off the engine .....	1-1 .....	201417
1.2 Main switch .....	1-2 .....	201417
1.3 Batteries .....	1-4 .....	201417
1.4 Airbag .....	1-5 .....	201417
1.5 Fluids .....	1-7 .....	201417
1.6 Regeneration unit .....	1-9 .....	201417
<b>2. STABILISING THE VEHICLE</b> .....	2-1 .....	201417
2.1 Seat adjustment .....	2-1 .....	201417
2.2 Air suspension chassis .....	2-2 .....	201417
2.3 Cabin suspension .....	2-5 .....	201417
<b>3. RELEASING A TRAPPED DRIVER</b> .....	3-1 .....	201417
3.1 Cabin types .....	3-1 .....	201417
3.2 Cabin bracket collision ability .....	3-2 .....	201417
3.3 Cabin dimensions .....	3-3 .....	201417
3.4 Opening the grille .....	3-5 .....	201417
3.5 Doors .....	3-6 .....	201417
3.6 Door lock .....	3-7 .....	201417
3.7 Steering wheel adjustment .....	3-8 .....	201417
3.8 Cabin structure .....	3-9 .....	201417
<b>4. TOWING INFORMATION</b> .....	4-1 .....	201417
4.1 Removing the drive shaft .....	4-1 .....	201417
4.2 Releasing the parking brake .....	4-2 .....	201417
<b>5. LIFTING INFORMATION</b> .....	5-1 .....	201417
5.1 Lifting at the front .....	5-1 .....	201417
5.2 Jack up at the front .....	5-2 .....	201417
5.3 Lifting at the back .....	5-3 .....	201417
5.4 Jack up at the back .....	5-4 .....	201417

# EMERGENCY RESPONSE GUIDE

---

Table of contents

*CF* series

1



## 1. SECURING THE VEHICLE

### 1.1 SWITCHING OFF THE ENGINE

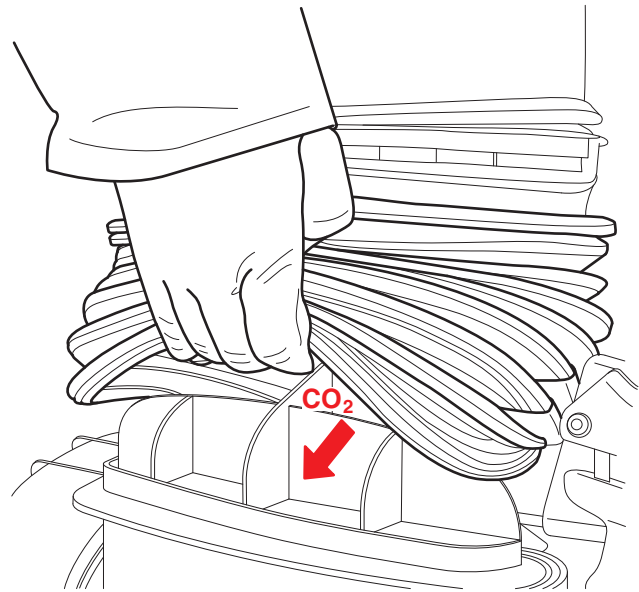
#### Ignition switch

If the ignition switch can be reached, an attempt can be made to stop the engine by switching off the ignition.

#### CO<sub>2</sub>

Another method is to blow CO<sub>2</sub> into the air inlet. The engine no longer receives sufficient oxygen so it stops.

The air inlet can be accessed behind the cabin. First, lift the rubber gaiter and blow CO<sub>2</sub> into the bottom half using a fire extinguisher.



G001281

1

### 1.2 MAIN SWITCH

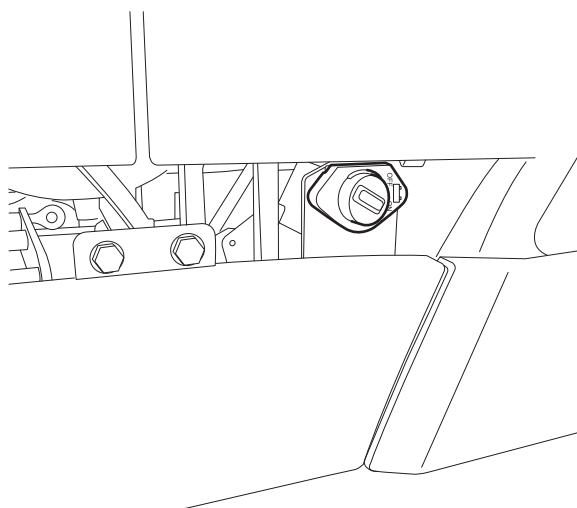
If the vehicle is equipped with a main switch, it is either mechanically or electronically operated, depending on the vehicle version.

The switch can be used to **interrupt** the power supply from the **batteries** to the **vehicle** (except for the tachograph).

#### Electronic main switch

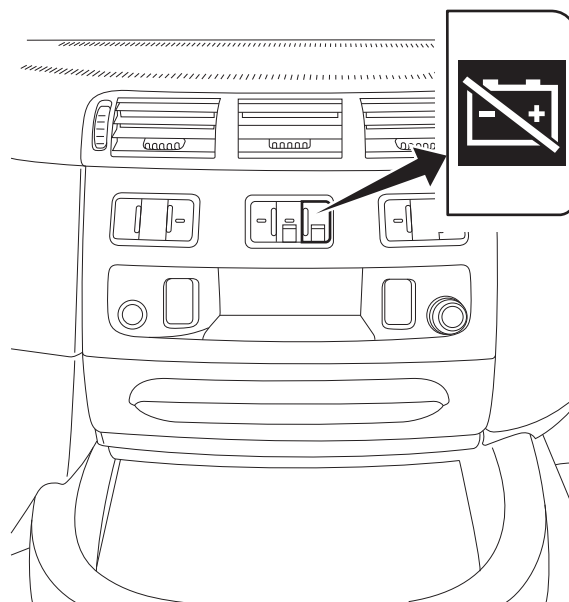
The electronic main switch does not switch off at once when it is operated; this happens with a 10-second delay. This is to allow the after-running of various electrical systems on the vehicle.

The electronic main switch (usually located close to the battery pack).



G001944

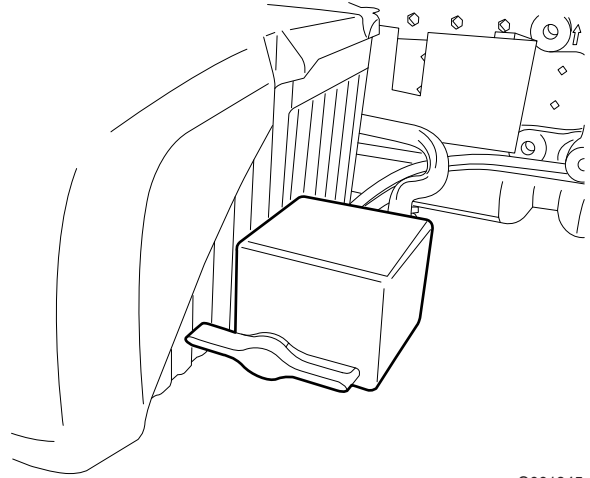
If the vehicle is equipped with an electronic main switch, there is also a switch on the centre console in the cabin.



E504882

## Mechanical main switch

Mechanically operated main switches only have a switch outside the cabin.



G001945

1

## 1.3 BATTERIES

### Location of the batteries

The batteries are located on the left- or right-hand side of the chassis frame, or at the rear within the chassis.

### Disconnecting the batteries

1. Switch off the ignition.
2. Switch off all electrical consumers.
3. Remove the battery cover.
4. Disconnect the battery clamp from the negative pole.
5. Disconnect the battery clamp from the positive pole.
6. Hold the positive and negative cables together to discharge any power that may be stored in the capacitors.
7. Secure the cables; make sure that they cannot come into contact with the terminals.

## 1.4 AIRBAG



**WARNING!** Airbag modules and safety belt tensioners are pyrotechnic systems and contain an explosive charge.



G001309

Vehicles equipped with an airbag and safety belt tensioner system can be identified by a sticker with the airbag symbol on the windscreen. In addition, there is an identification 'AIRBAG' visible on the steering wheel. A vehicle equipped with an airbag also has an automatic safety belt tensioner.



1

# EMERGENCY RESPONSE GUIDE

## Securing the vehicle

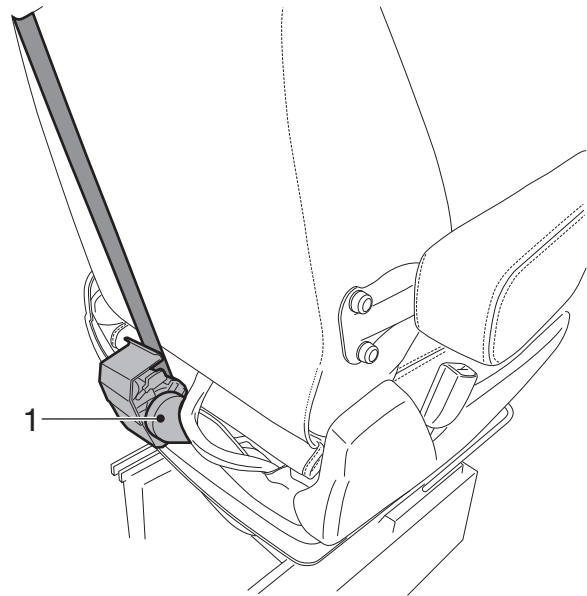
CF series

### 1 Safety belt tensioner

The automatic safety belt tensioner is fitted on the rear side of the driver's and co-driver's seat.

#### Safety instructions

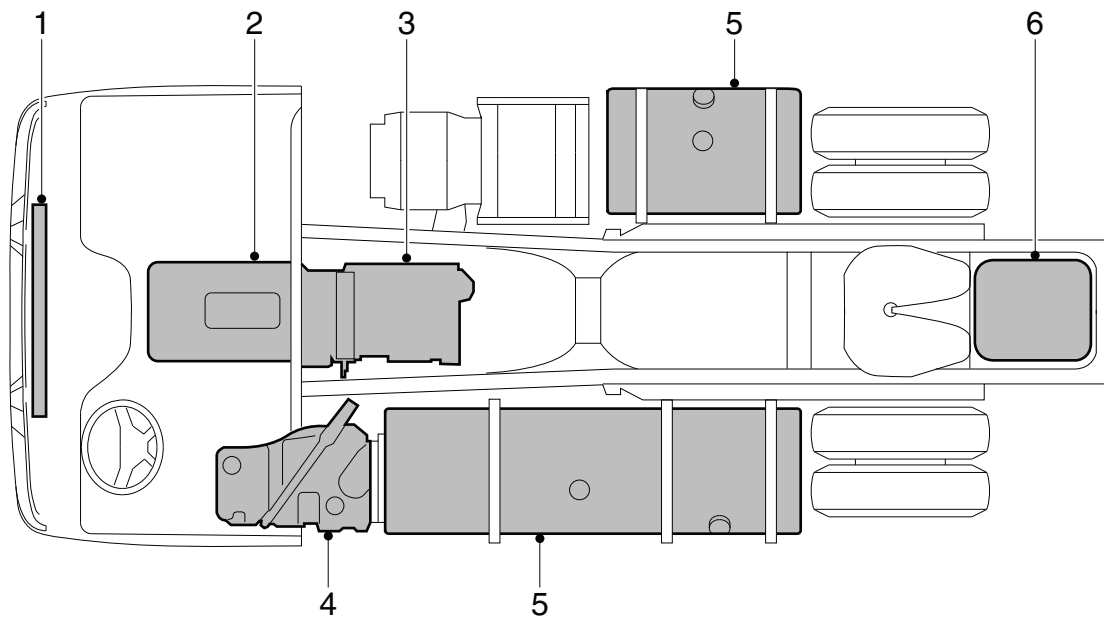
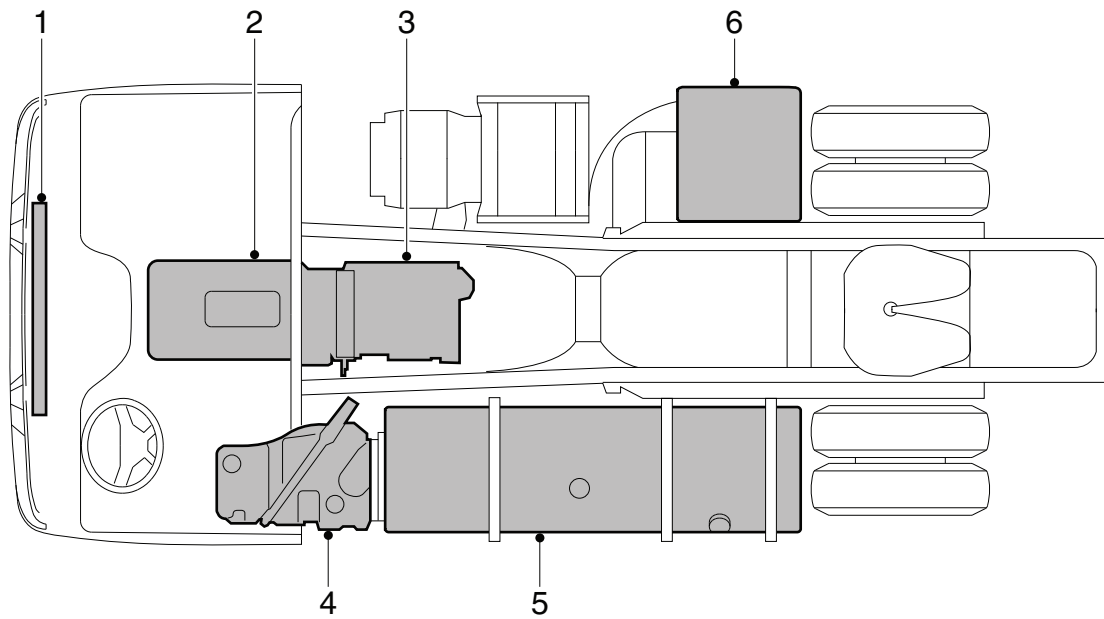
- Do not place any objects near undeployed airbags
- Before any work is carried out on an airbag system:
  1. the ignition must be switched off.
  2. the main switch must be turned off.
  3. the battery clamp must be removed from the negative pole.
  4. wait at least 30 seconds.
- Never disconnect an electrical connector in the airbag or safety belt tensioner circuits if the electronic control unit is energised.



G001312

1

## 1.5 FLUIDS



- 1 Coolant: 48 litres
- 2 Engine oil: 36 - 46 litres
- 3 Gearbox oil: 14 litres
- 4 AdBlue: up to 90 litres
- 5 Fuel: up to 1500 litres
- 6 Battery acid

K103769

The capacities and position of the tanks depend on the vehicle type.

# EMERGENCY RESPONSE GUIDE

## Securing the vehicle

CF series

1

### AdBlue

AdBlue is a non-flammable, non-toxic, colourless, odourless and water-soluble liquid.

AdBlue is a liquid consisting of 32.5% urea and 67.5% water.

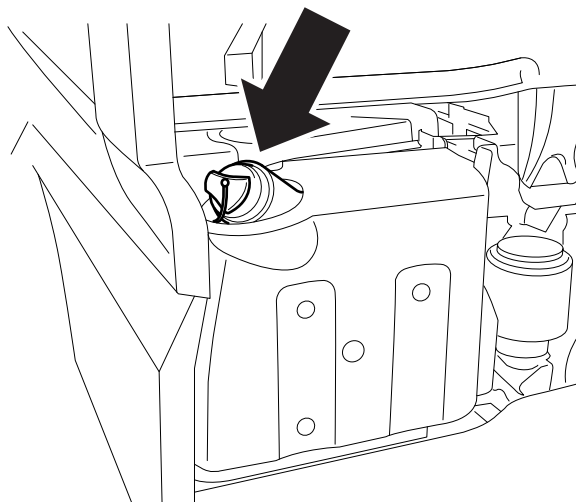
AdBlue must meet the specifications according to DIN 70070.

### High temperatures

If AdBlue is heated in the tank to 50°C over a long period of time, the decomposing AdBlue can produce ammonia vapours. Ammonia vapours have a pungent odour. For this reason, avoid inhaling possible ammonia vapours escaping when unscrewing the AdBlue filler cap. These concentrations of ammonia vapours are neither toxic nor hazardous to health.

### Low temperatures

AdBlue freezes at temperatures of approximately -11°C.



i403182



### **WARNING!**

#### **AdBlue safety instructions**

- ***Avoid direct contact.***
- ***In the event of contact with the skin, rinse with plenty of water.***
- ***In the event of contact with the eyes, rinse for at least 15 minutes with plenty of water and seek medical assistance.***
- ***If swallowed, rinse mouth with plenty of water; do not induce vomiting.***
- ***Use in a ventilated area.***

#### **Procedure after spillage**

- ***Rinse with plenty of water.***

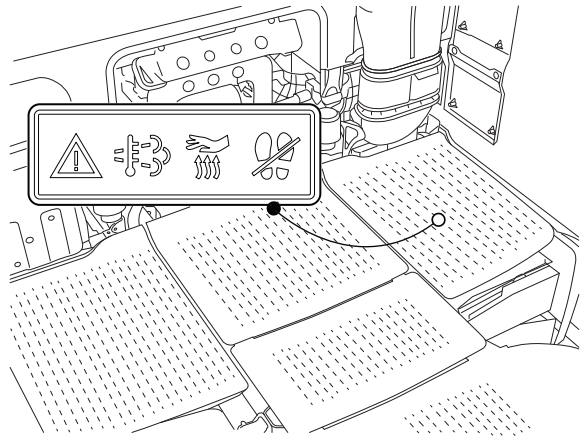


## 1.6 REGENERATION UNIT

During regeneration the exhaust gases, the surroundings of the regeneration unit and the catwalk can reach high temperatures that can potentially harm bystanders or the surrounding area.



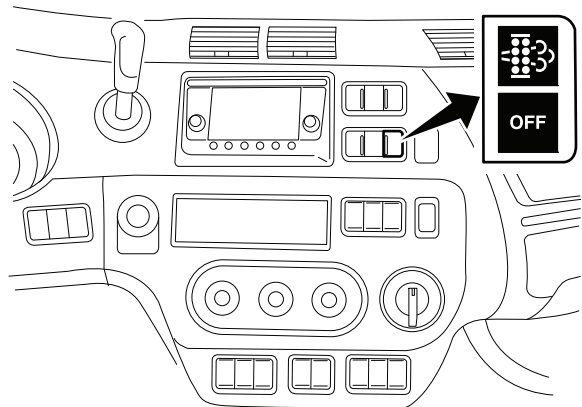
**WARNING!** *There is a risk of fire or other hazardous situation if the temperature can ignite flammable materials.*



V301566

### Switch off the regeneration unit

Set the switch in the OFF position to stop or inhibit regeneration.



G001961

# EMERGENCY RESPONSE GUIDE

Securing the vehicle

CF series

1

**2. STABILISING THE VEHICLE**

**2.1 SEAT ADJUSTMENT**



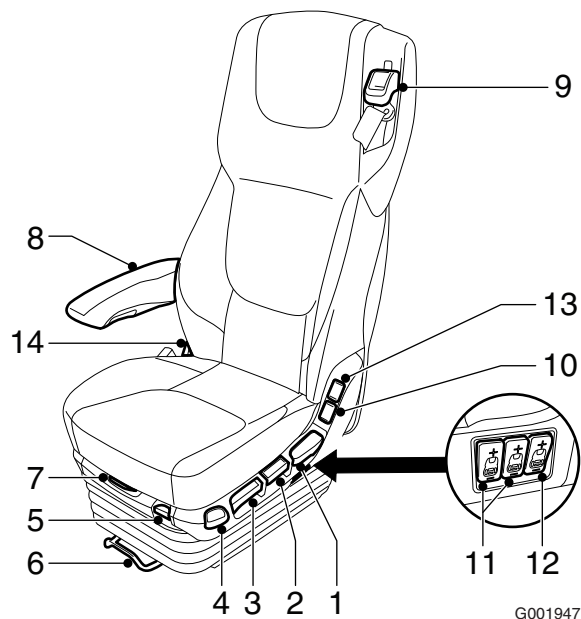
*NOTE: Before removing the seat, be aware of the safety instructions if the vehicle is equipped with an airbag and therefore an automatic safety belt tensioner.*



*NOTE: The seat can be adjusted if the vehicle air pressure is at least 7 bar.*

**Seat settings**

- 1 Backrest angle adjustment.
- 2 Seat height adjustment.
- 3 Seat tilt adjustment
- 4 Quick down.
- 5 Vertical seat damper.
- 6 Seat length adjustment.
- 7 Seat cushion length adjustment.
- 8 Armrest.
- 9 Safety belt height adjustment.
- 10 Seat heater.
- 11 Lumbar support adjustment.
- 12 Lateral support adjustment.
- 13 Seat ventilation
- 14 Shoulder support adjustment.



G001947



**4. Quick down**  
Knob down (seat in driving position): the seat drops to its lowest position.  
Knob up (with lowered seat): the seat rises to the last height adjustment.



**3. Seat tilt adjustment**



**2. Seat height adjustment**

## 2.2 AIR SUSPENSION CHASSIS

### General

On vehicles equipped with air suspension, a remote control unit is used to operate the vehicle height.

The remote control unit is located against the console of the driver's seat.



*NOTE: This control unit can only be operated when the ignition is switched on.*



*NOTE: Unless stated otherwise, the keys need only be pressed once briefly.*

### Remote control A



rear of truck selected



automatic setting of normal driving height



lifting of chassis to pre-set height



as M1, but for a different chassis height



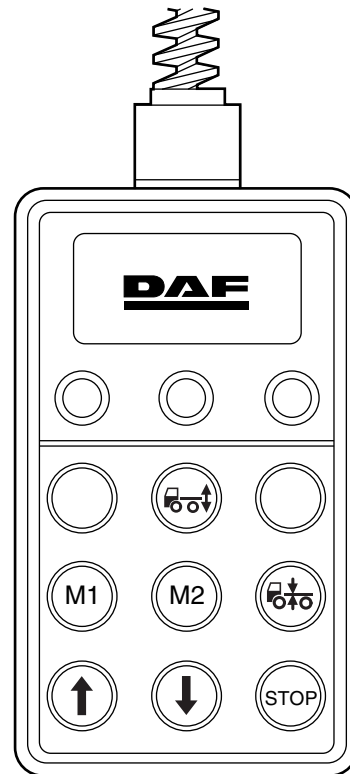
lifting of selected chassis ends when the key is released



lowering of selected chassis ends when the key is released








all adjustments are stopped

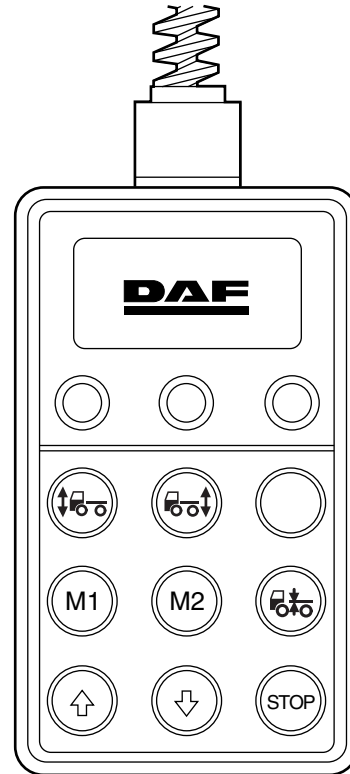


C900268

## Remote control B

Remote control B is used on vehicles on which the front axle is also equipped with air suspension.

-  front of truck selected
-  rear of truck selected
-  automatic setting of normal driving height
- M1** lifting of chassis to pre-set height
- M2** as M1, but for a different chassis height
-  lifting of selected chassis ends when the key is released
-  lowering of selected chassis ends when the key is released
- Stop** all adjustments are stopped



C900269

# EMERGENCY RESPONSE GUIDE









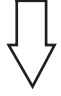
## Stabilising the vehicle

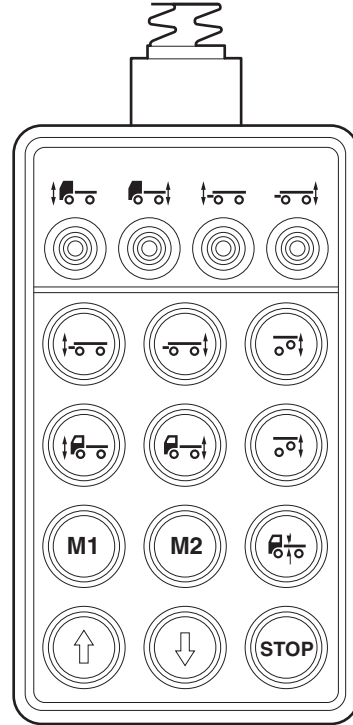
CF series

### Remote control C

Remote control C is used for vehicles with air-suspended front axle and trailer and for vehicles with Axle Load Monitoring.

1

-  front of truck selected
-  rear of truck selected
-  automatic setting of normal driving height
-  lifting or lowering truck trailing axle
-  front of trailer selected
-  rear of trailer selected
-  lifting or lowering trailer trailing axle
- M1** lifting of chassis to pre-set height
- M2** as M1, but for a different chassis height
-  lifting of selected chassis ends when the key is released
-  lowering of selected chassis ends when the key is released
- Stop** all adjustments are stopped



C900592-2

## 2.3 CABIN SUSPENSION

The cabin can be equipped with full mechanical or full air suspension.

### Lowering the air suspension

If the vehicle is equipped with cabin air suspension, the cabin can be lowered.

The cabin is lowered by cutting the air hoses.



**WARNING!** When air hoses are cut, the hose ends can fly around and can therefore cause injuries.



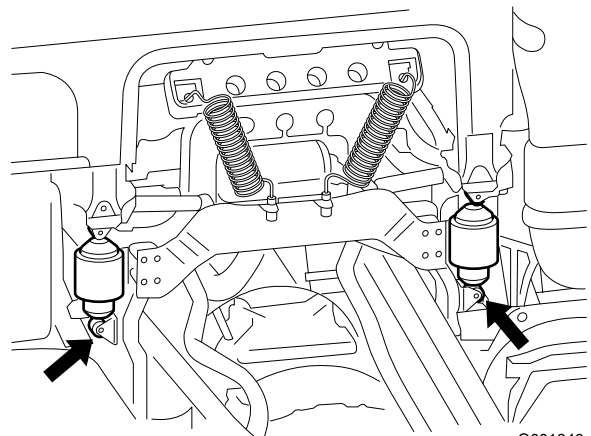
**WARNING!** When the air hoses for the cabin suspension are cut, the air supply for steering wheel adjustment is also taken away.



**WARNING!** When the cabin is lowered, the movement may be uncontrolled.

### Rear cabin air suspension

Cut the air hose to the rear cabin air suspension bellows. The connections are at the bottom of the bellows.



G001946

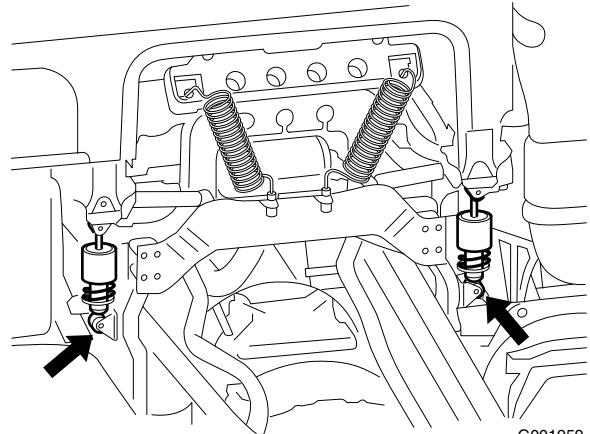
# EMERGENCY RESPONSE GUIDE

Stabilising the vehicle

CF series

## Rear cabin mechanical suspension

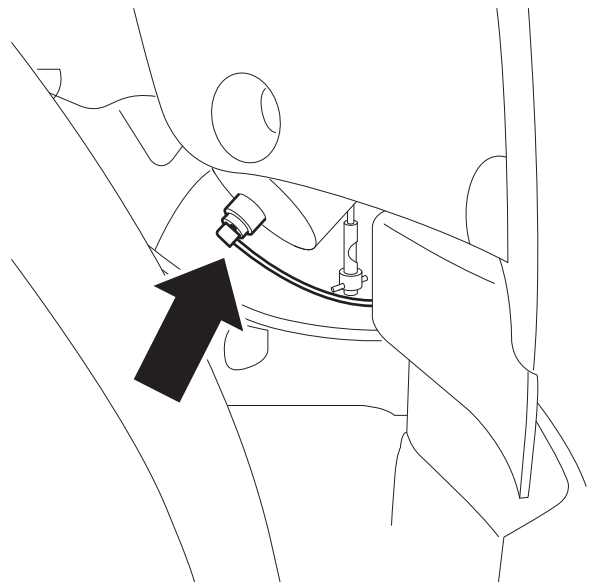
1



G001959

## Front cabin air suspension

Cut the air hose to the front air suspension bellows. The air reservoir can be found under the cabin at the co-driver side.



G001960

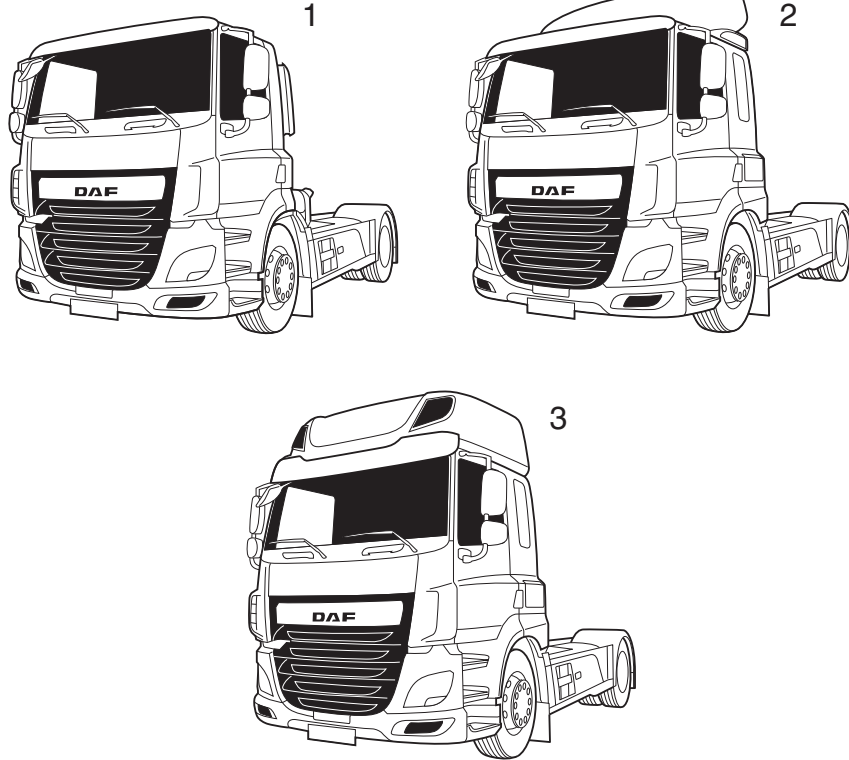
## Front cabin mechanical suspension

The mechanical springs are located at the front just beside the headlights. They can be reached by removing the lower grille and if necessary the headlight panels.



**3. RELEASING A TRAPPED DRIVER**

**3.1 CABIN TYPES**



- 1 Day Cab
- 2 Sleeper Cab
- 3 Space Cab

G002065

## 3.2 CABIN BRACKET COLLISION ABILITY

1

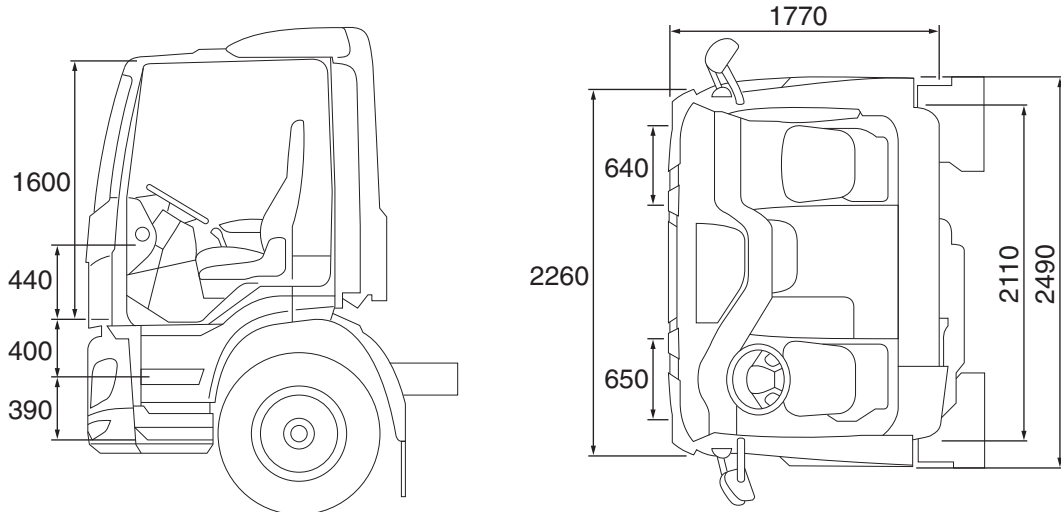
The cabin bracket has a built-in safety feature that enables the cabin to move back 400 mm in case of a collision. Depending on the severity of the collision there are two situations.

- The safety feature is used. This means that the cabin has moved compared to the chassis with a maximum distance of 400 mm. The cabin is still attached to the chassis.
- The safety feature is used fully before the collision stopped. As a result the bolt of the cabin bracket breaks. If this has happened the cabin is loose from the chassis.

## 3.3 CABIN DIMENSIONS

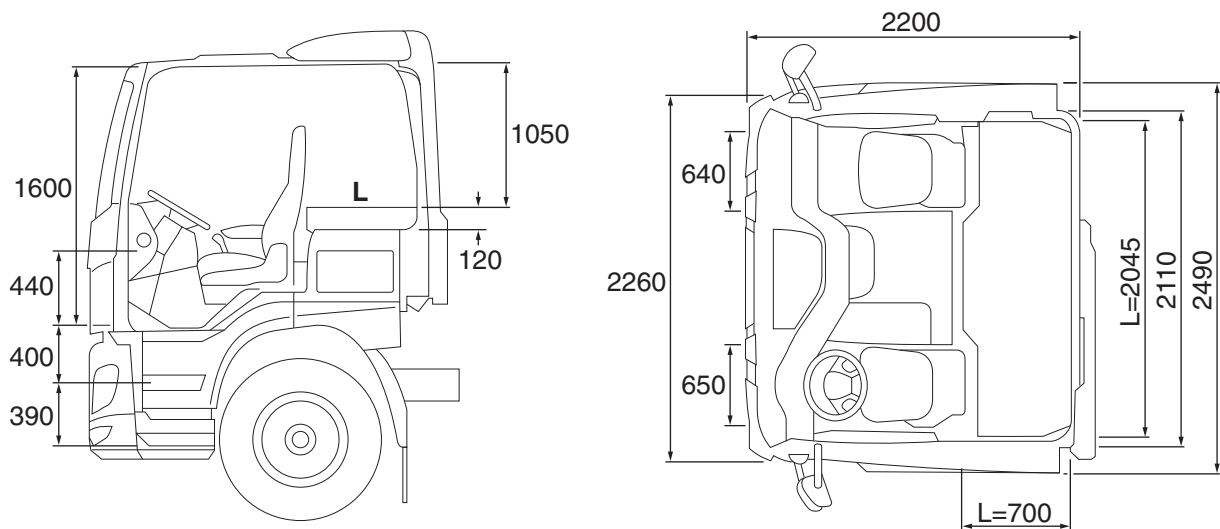
The external dimensions from the ground vary depending on the tyre size, choice of suspension, load and settings.

### Day Cab



G002066

### Sleeper Cab



G002067

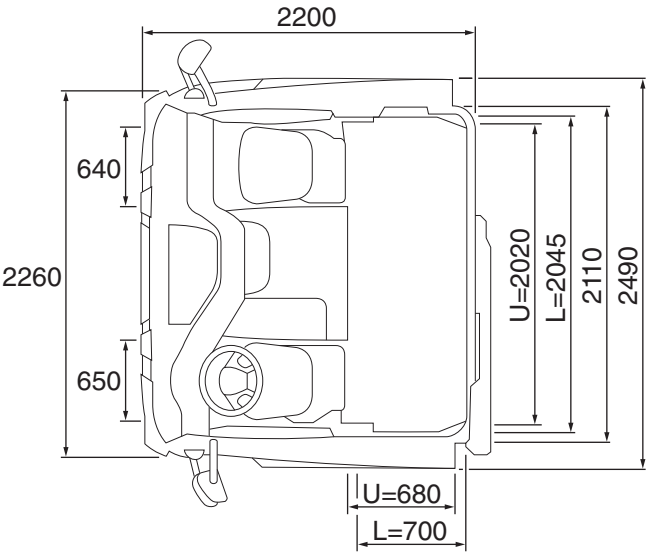
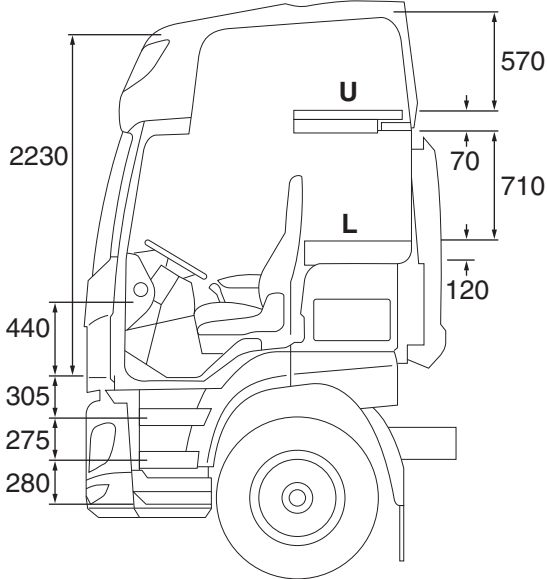
# EMERGENCY RESPONSE GUIDE

Releasing a trapped driver

CF series

## Space Cab

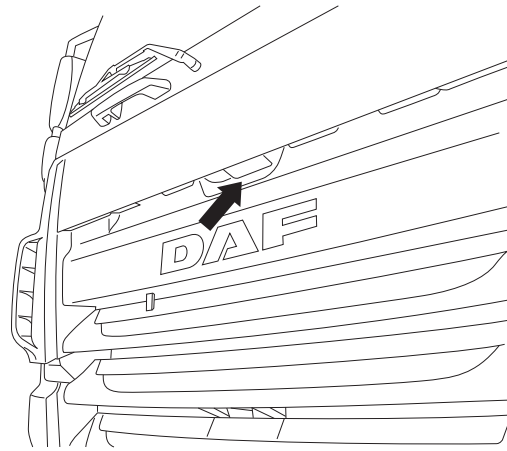
1



G002069

## 3.4 OPENING THE GRILLE

The top section of the front panel can be folded up. Unlock the front panel by pulling the lever in the top section of the front panel. When the front panel is open it is held in the raised position by two gas struts.



G002070

1

# EMERGENCY RESPONSE GUIDE

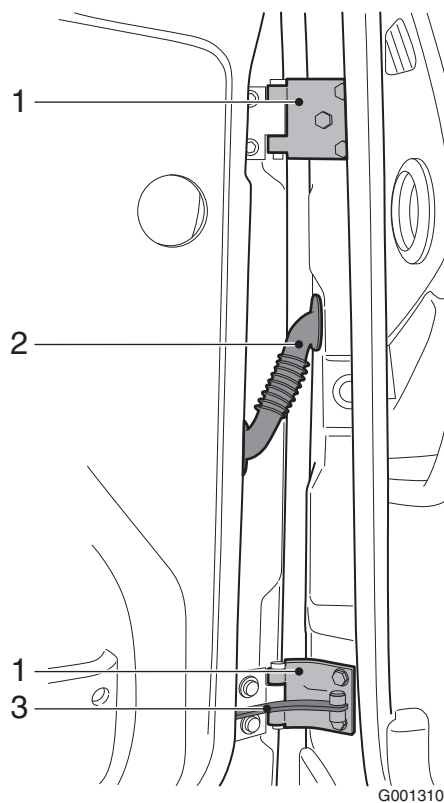
Releasing a trapped driver

CF series

## 3.5 DOORS

- 1 Hinge
- 2 Wiring harness
- 3 Door check

1



## 3.6 DOOR LOCK

The door lock is installed higher than the door handle. The position is indicated in the image.



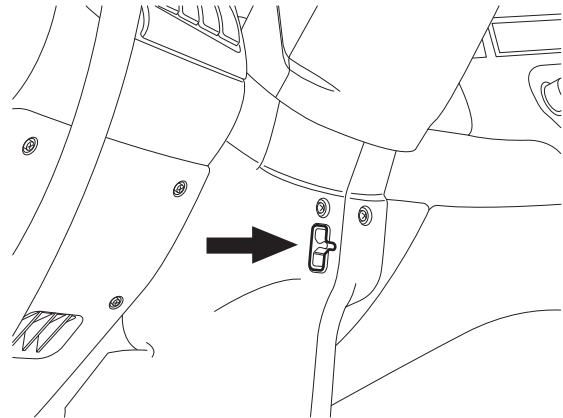
G002071

1

### 3.7 STEERING WHEEL ADJUSTMENT



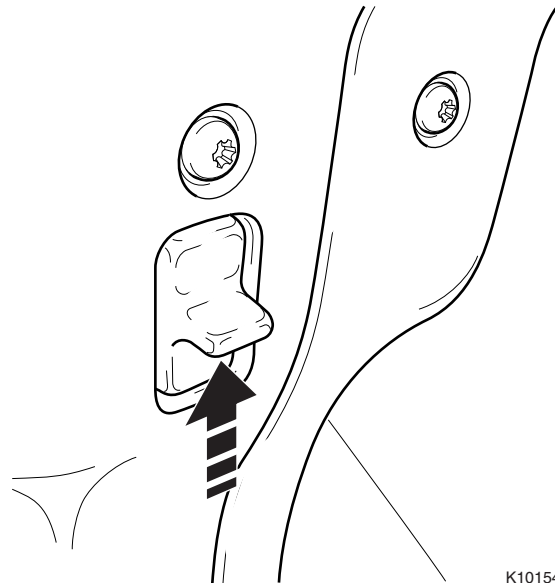
*NOTE: The steering wheel can be adjusted if the vehicle air pressure (circuit 4) is at least 7 bar.*



G001293

#### Adjusting

Push up the two-position switch. The steering column is temporarily unlocked. The height and angle of the steering wheel can now be adjusted.



K101546

#### Locking

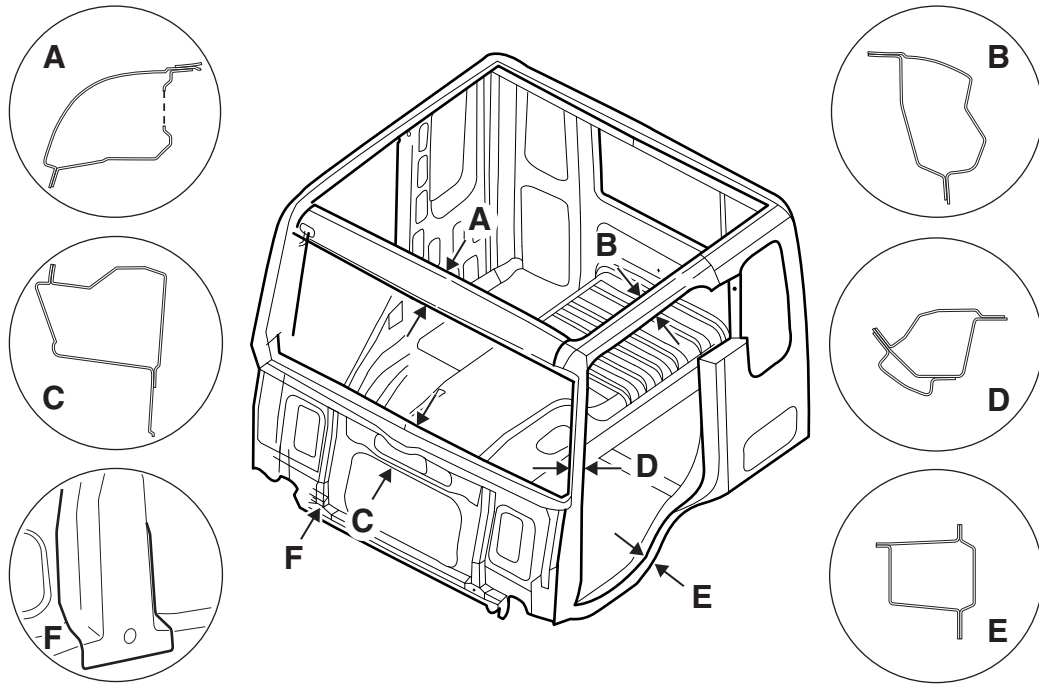
Push down the two-position switch. The steering column is locked.



*NOTE: A slight hissing noise, caused by the two-position switch, is audible while the steering wheel is being adjusted. If the steering column has not been locked, this switch locks it automatically after 20 - 30 seconds.*



**3.8 CABIN STRUCTURE**



G001283-2

# EMERGENCY RESPONSE GUIDE

---

Releasing a trapped driver

**CF** series

**1**

**4. TOWING INFORMATION****4.1 REMOVING THE DRIVE SHAFT**

- Make sure that the parking brake is engaged.
- Loosen the bolts, do not remove them.
- Loosen the bearing.
- Hold the shaft while removing the bolts.
- Fix the bearings to the shaft.
- Fasten the shaft to the chassis.
- Cover the drive shaft joint with a plastic bag.

## 4.2 RELEASING THE PARKING BRAKE



**WARNING!**

- **Never release the park brake on an incline without precautionary measures.**

**Releasing the park brake on an incline causes the vehicle to move unintentionally. This can lead to serious injury and damage to the vehicle.**

1. Place wheel chocks in front of and behind the wheels.



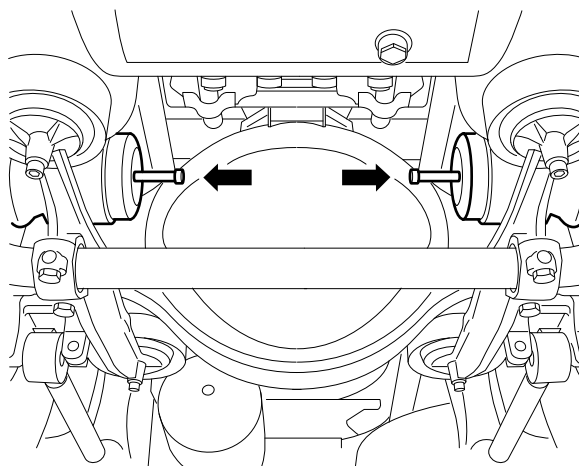
**NOTE:** It is **not** permitted to use a socket wrench to loosen the releasing bolt.

2. Turn the releasing bolt anti-clockwise as far as the stop using a ring spanner.
3. Carry out this operation for each spring brake cylinder.



**NOTE:** Place a no brakes warning label on the steering wheel.

4. Bring the park brake back in operating order by turning the releasing bolts clockwise as far as possible and tightening them to a torque of 45 Nm (75 Nm for the releasing bolt with control pin). The pressure in the spring brake cylinder circuit must be at least 6.5 bar.



R601642

## 5. LIFTING INFORMATION

### 5.1 LIFTING AT THE FRONT

The front of the truck can be lifted with two towing eyes. To lift the front of the truck:

1. Install two towing eyes with the axle in horizontal position.
2. Attach the lifting equipment to the towing eyes.
3. Carefully lift the truck.



**CAUTION:** *The maximum lifting weight for the towing eyes is 3000 kg per towing eye.*



**NOTE:** *The two towing eyes can also be used to fix the front of the truck to a platform.*

## 5.2 JACK UP AT THE FRONT

1

### Jacking up the air sprung front axle

Place the jack under the special jack up brackets that are attached to the air sprung front axle.

### Jacking up mechanically sprung front axles

Place the jack under the axle.



**CAUTION:** Do not jack up under the protection bar at the front of the vehicle. This is a protection bar made of sheet metal. If you jack up the vehicle under the protection bar it collapses.

## 5.3 LIFTING AT THE BACK

There are no special facilities to lift the truck at the back.

## 5.4 JACK UP AT THE BACK

There are no special facilities to jack up the truck at the back. Place the jack under the rear axle.

1





