

General

Applies to refrigerant R134a



WARNING!

Wear protective gloves and goggles.

Welding, smoking or heating are not allowed if there is refrigerant present in the air. Refrigerant generates a very toxic gas when heated.

Tools

Examples of suitable tools from Scania:

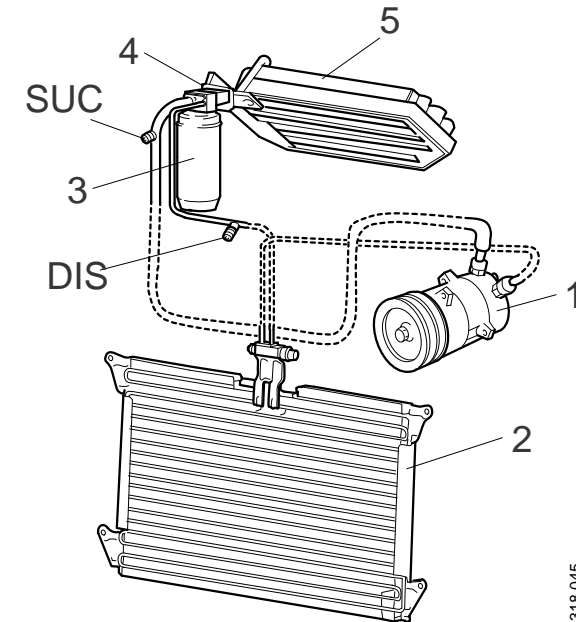
Part number	Designation
588 431	Recycling station

Work description

1. Remove the protective caps from the maintenance valves and connect recycling station 588 431 to the high pressure and low pressure sides. The maintenance valves for the high and low pressure sides are of different dimensions and require different size quick release couplings.
2. Drain the refrigerant (R134a) slowly.

IMPORTANT!

Refrigerant must not be released into the atmosphere but must be recycled according to local regulations.



318 045

Components of the AC system:

1. Compressor
2. Condenser
3. Dehydrator
4. Expansion valve
5. Evaporator
6. Maintenance valve, High pressure DIS