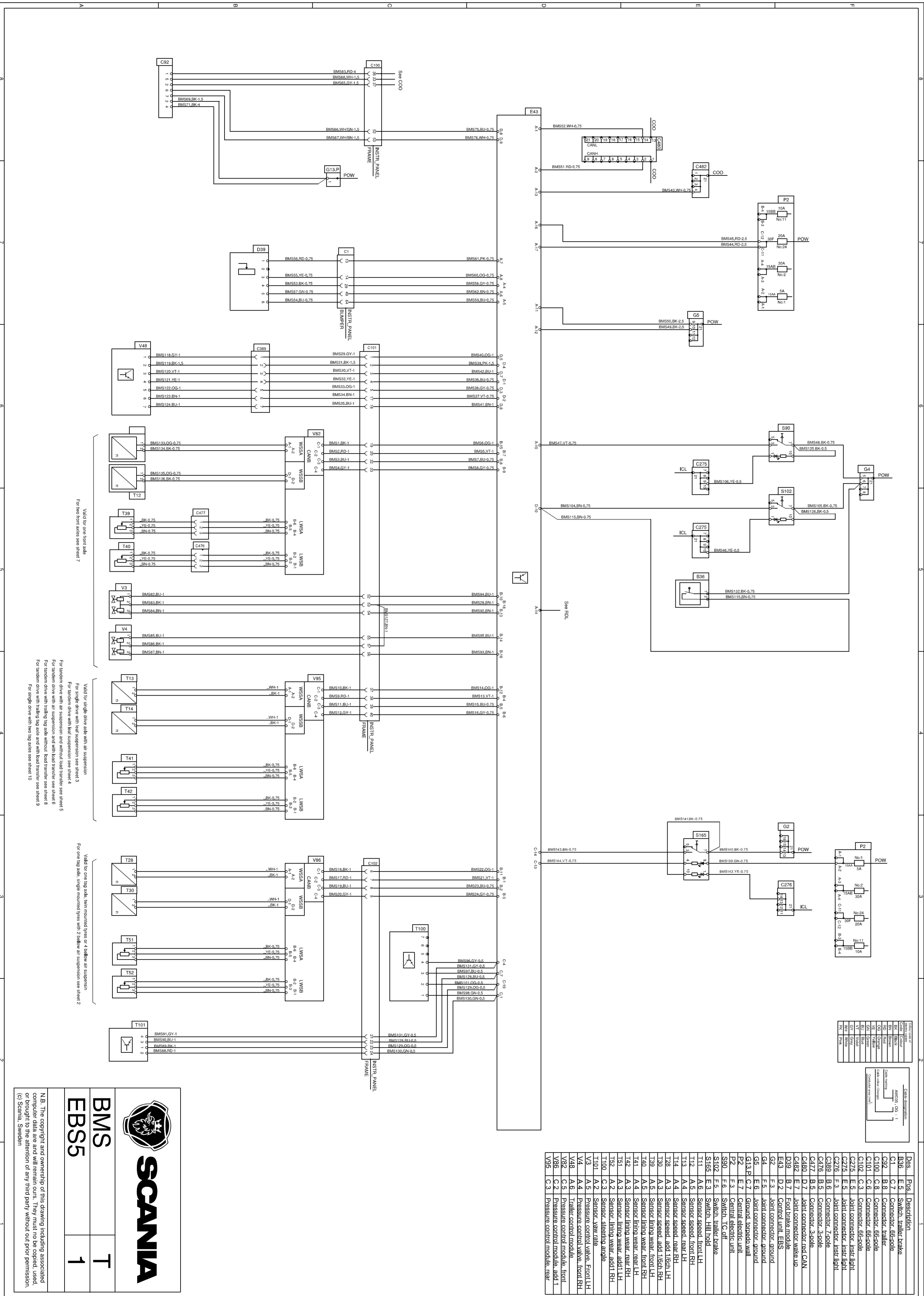


# BMS

## Brake management system

### EBS5



Dis.	Pos.	Description
B36	E 5	Switch, trailer brake
C12	C 7	Connector, 65-pole
C101	C 8	Connector, 65-pole
C101	C 6	Connector, 65-pole
C102	C 3	Connector, 65-pole
C275	E 5	Joint connector, rear right
C276	E 5	Joint connector, rear right
C389	B 6	Connector, 25-pole, rear right
C477	B 5	Connector, 3-pole
C480	D 7	Joint connector, rear CAN
C480	B 7	Joint connector, brake up
E43	D 2	Control unit, EMS
G2	F 3	Joint connector, ground
G4	E 6	Joint connector, ground
G5	E 6	Joint connector, ground
G2	E 7	Control, master valve
P2	F 3	Central electric unit
S80	F 6	Switch, T/C-off
S102	E 3	Switch, trailer brake
S103	E 3	Switch, hill hold
T10	A 5	Sensor, speed, front LH
T11	A 4	Sensor, speed, rear LH
T13	A 4	Sensor, speed, rear RH
T14	A 4	Sensor, speed, rear RH
T18	A 3	Sensor, speed, add'l, rear LH
T19	A 3	Sensor, speed, add'l, rear RH
T40	A 5	Sensor, linch wear, front RH
T41	A 4	Sensor, linch wear, rear LH
T42	A 3	Sensor, linch wear, rear RH
T43	A 3	Sensor, linch wear, add'l LH
T44	A 2	Sensor, yaw rate
V3	A 5	Pressure control valve, front LH
V4	A 6	Trailer control module, front
V5	C 2	Pressure control module, rear
V8	C 3	Pressure control module, rear



BMS  
EBS5  
T  
1

N.B. The copyright and ownership of this drawing including associated computer data are and will remain ours. They must not be copied, used or brought to the attention of any third party without our prior permission.  
© Scania, Sweden