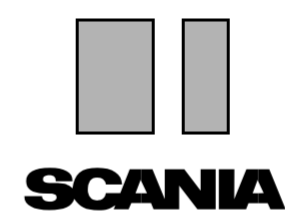


16:75-15

Issue 1.2 en-GB
Sheet 7



BMS

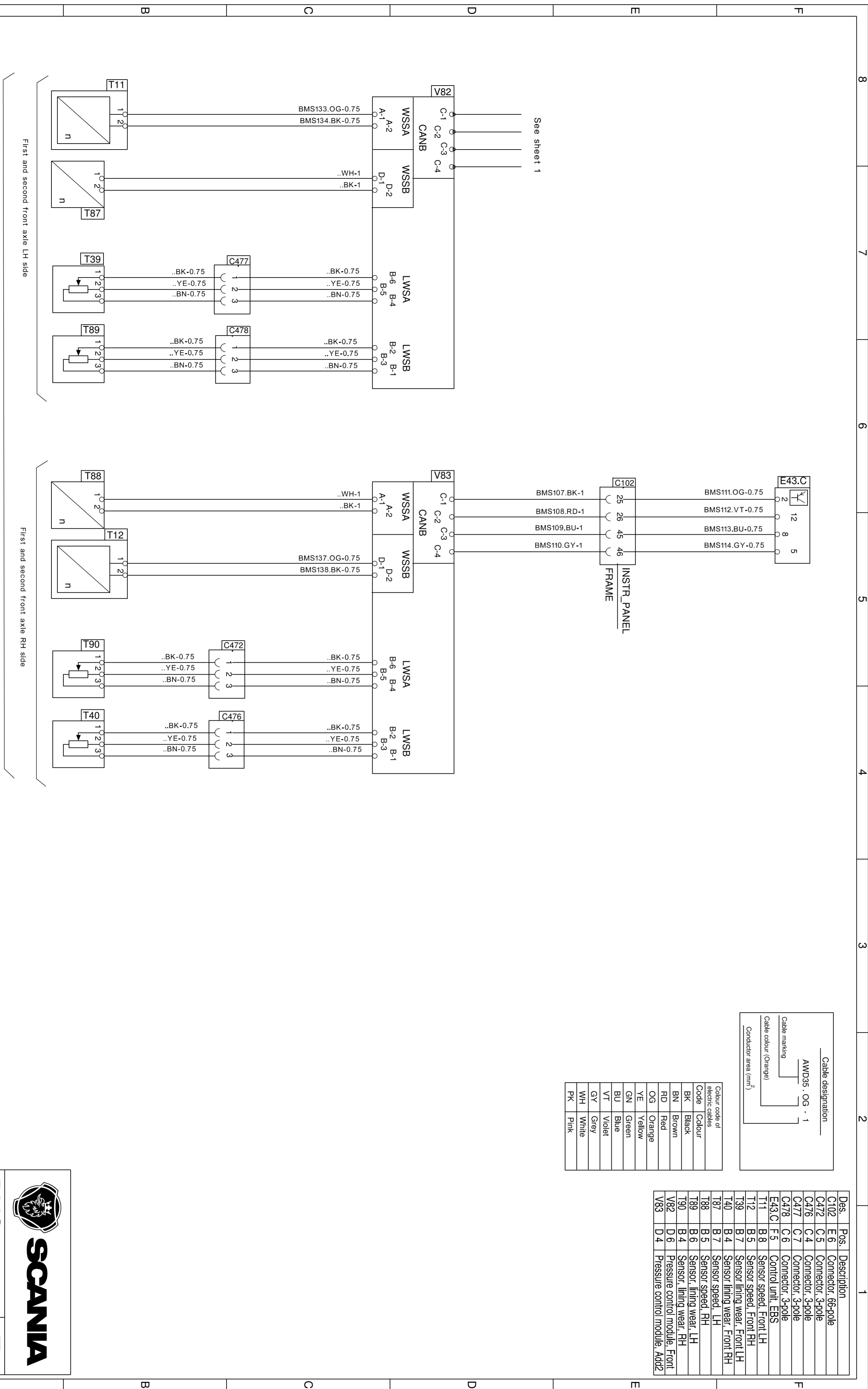
Brake management system

EBS5

Two front axles

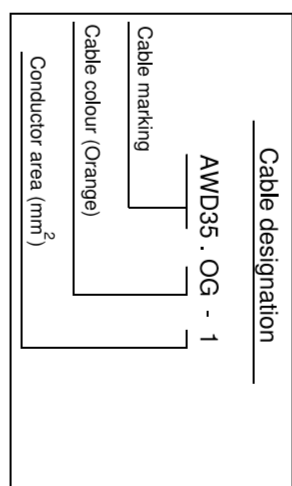
1 714 719

© Scania CV AB 2007, Sweden



Colour code of electric cables	Colour
GN	Green
BU	Blue
VT	Violet
GY	Grey
WH	White
PK	Pink

Des.	Pos.	Description
C102	E 6	Connector, 66-pole
C472	C 5	Connector, 3-pole
C476	C 4	Connector, 3-pole
C477	C 7	Connector, 3-pole
C478	C 6	Connector, 3-pole
E43.C	F 5	Control unit, EBS
T11	B 8	Sensor speed, Front LH
T12	B 5	Sensor speed, Front RH
T39	B 7	Sensor lining wear, Front LH
T40	B 4	Sensor lining wear, Front RH
T87	B 7	Sensor speed, LH
T88	B 5	Sensor speed, RH
T89	B 6	Sensor, lining wear, LH
T90	B 4	Sensor, lining wear, RH
V82	D 6	Pressure control module, Front
V83	D 4	Pressure control module, Add2



Valid for two front axles

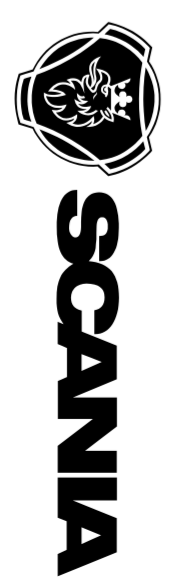
First and second front axle LH side

First and second front axle RH side

See sheet 1

INSTR_PANEL
FRAME

STD
4247



BMS T
EBS5 7

N.B. The copyright and ownership of this drawing including associated computer data are and will remain ours. They must be copied, used, printed, reproduced, stored in a retrieval system or in any form or by any means, without our prior permission.
(c) Scania, Sweden