

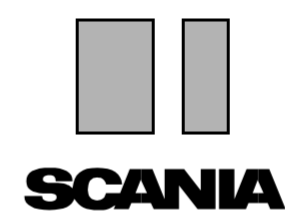
16:75-12

Issue 1.1 en-GB
Sheet 4

BMS

Brake management system

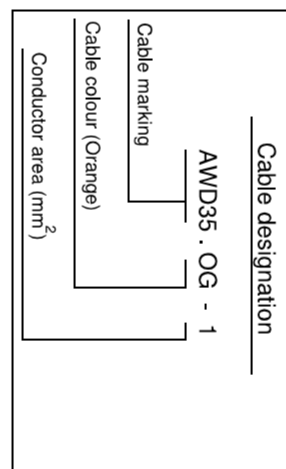
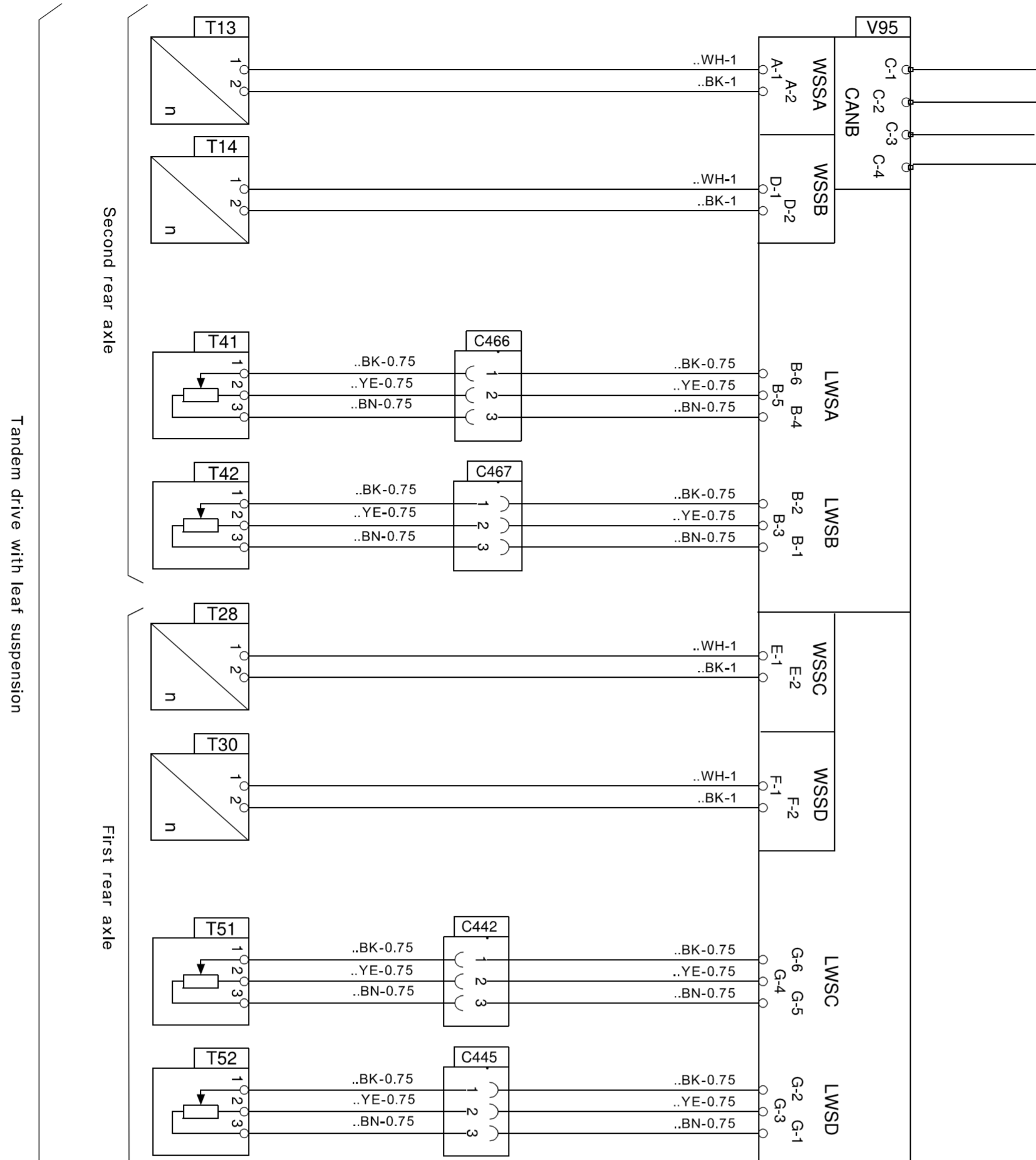
EBS5



1 714 716

© Scania CV AB 2007, Sweden

See sheet 1



Colour code of electric cables	Code	Colour
BK	Black	Black
BN	Brown	Brown
RD	Red	Red
OG	Orange	Orange
YE	Yellow	Yellow
GN	Green	Green
BU	Blue	Blue
VT	Violet	Violet
GY	Grey	Grey
WH	White	White
PK	Pink	Pink

Des	Pos	Description
C442	C3	Connector, 3-pole
C443	C4	Connector, 3-pole
C445	C6	Connector, 3-pole
C466	C6	Connector, 3-pole
C467	C6	Connector, 3-pole
T13	C7	Sensor speed, Rear LH
T14	C7	Sensor speed, Rear RH
T28	C5	Sensor speed, Add 1/6ch LH
T30	C5	Sensor speed, Add 1/6ch RH
T41	C6	Sensor lining wear, Rear LH
T42	C6	Sensor lining wear, Rear RH
T51	C4	Sensor lining wear, Add1 LH
T52	C4	Sensor lining wear, Add1 RH
V95	E4	Pressure control module, Rear

BMS
EBS5

T
4

N.B. The copyright and ownership of this drawing including associated or brought to the attention of any third party without our prior permission.
(c) Scania, Sweden

148 846