

16:75-11

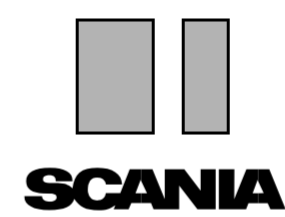
Issue 1.2 en-GB
Sheet 3

BMS

Brake management system

EBS5

Single drive with leaf suspension



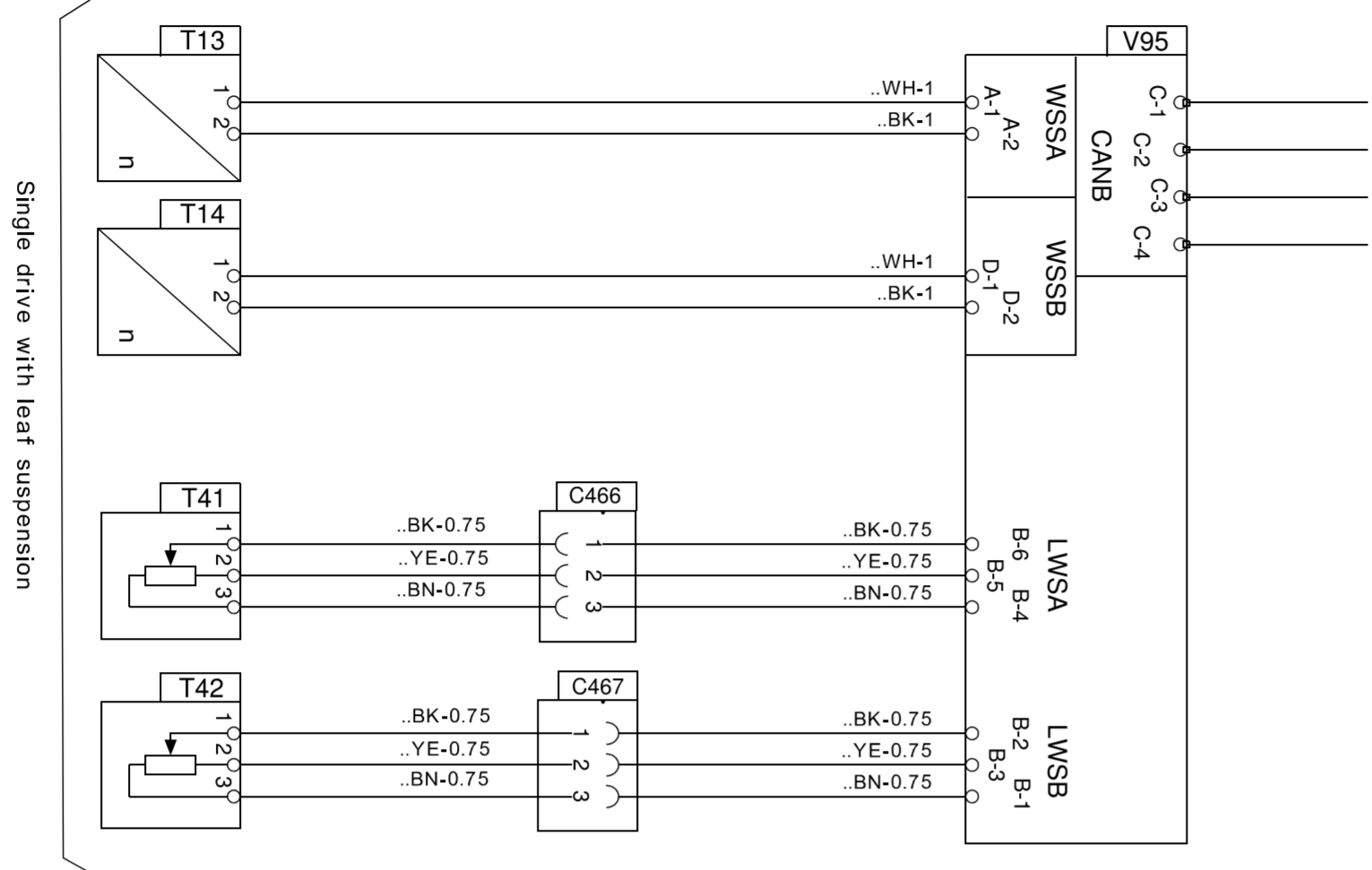
1 714 715

Des.	Pos.	Description
C466	C 6	Connector, 3-pole
C467	C 6	Connector, 3-pole
T13	B 7	Sensor speed, Rear LH
T14	B 7	Sensor speed, Rear RH
T41	B 6	Sensor lining wear, Rear LH
T42	B 6	Sensor lining wear, Rear RH
V95	D 5	Pressure control module, Rear

Colour code of electric cables	Code	Colour
BK	Black	Black
BN	Brown	Brown
RD	Red	Red
OG	Orange	Orange
YE	Yellow	Yellow
GN	Green	Green
BU	Blue	Blue
VT	Violet	Violet
GY	Grey	Grey
WH	White	White
PK	Pink	Pink

Cable designation	AWD55 . OG - 1
Cable marking	
Cable colour (Orange)	
Conductor area (mm ²)	

See sheet 1



Single drive with leaf suspension



SCANIA

BMS T
EBS5 3

N.B. The copyright and ownership of this drawing including associated data and information are reserved by Scania. Any reproduction or use of this drawing without the prior written permission of Scania, Sweden.