

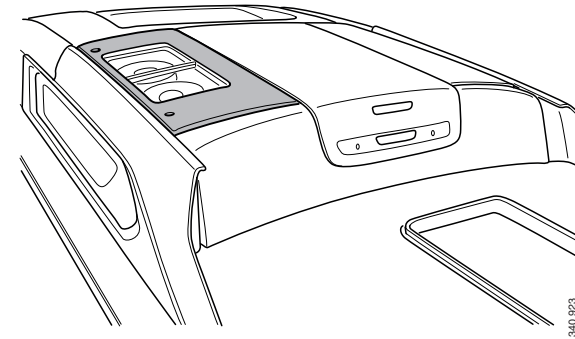
## Removal



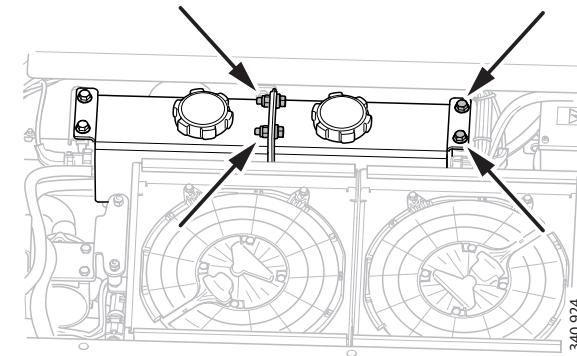
Help protect the environment! Avoid spillage and use a suitable container.

---

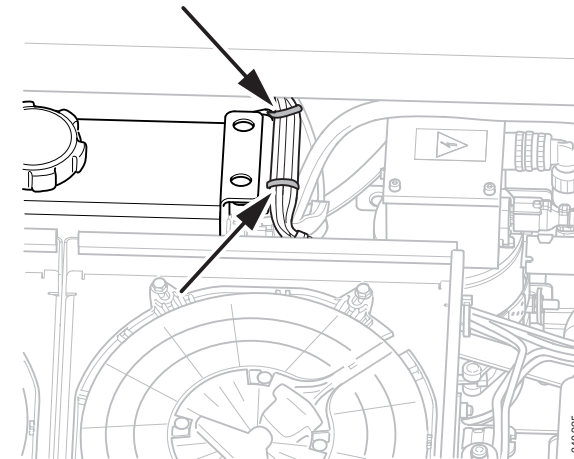
1. Drain the cooling system for the affected cooling coil.
2. Open the hatch.



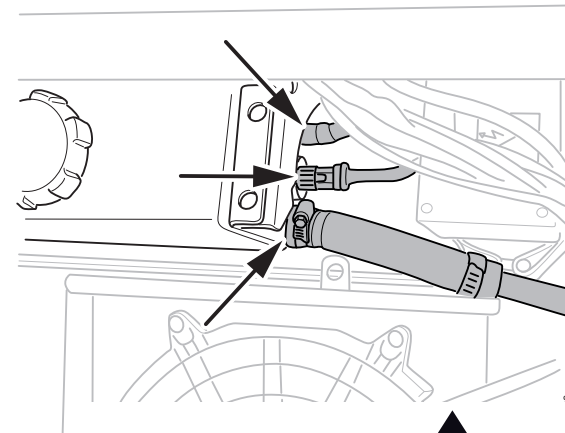
3. Remove the screws securing the expansion tank.



4. Remove the cable ties and move the cables to one side to gain access to the hose connections.



5. Remove the hoses and the connector.



6. Remove the expansion tank.

