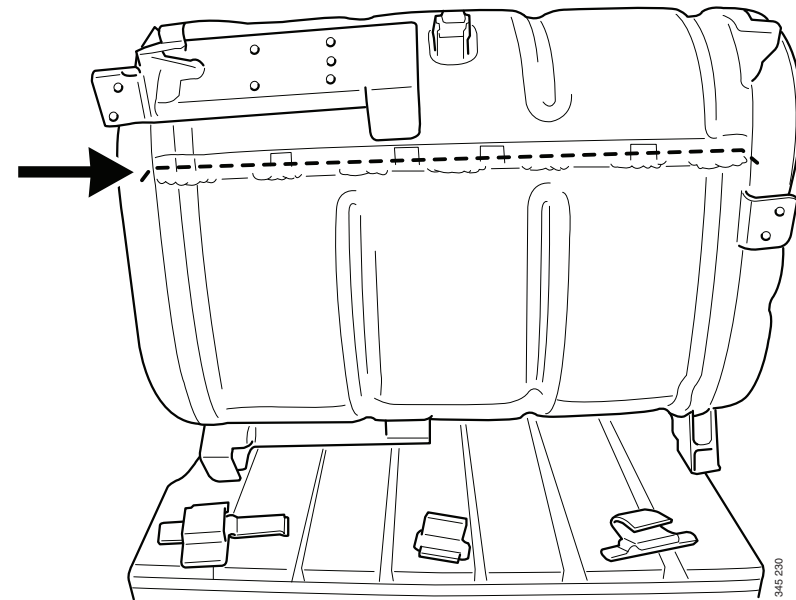
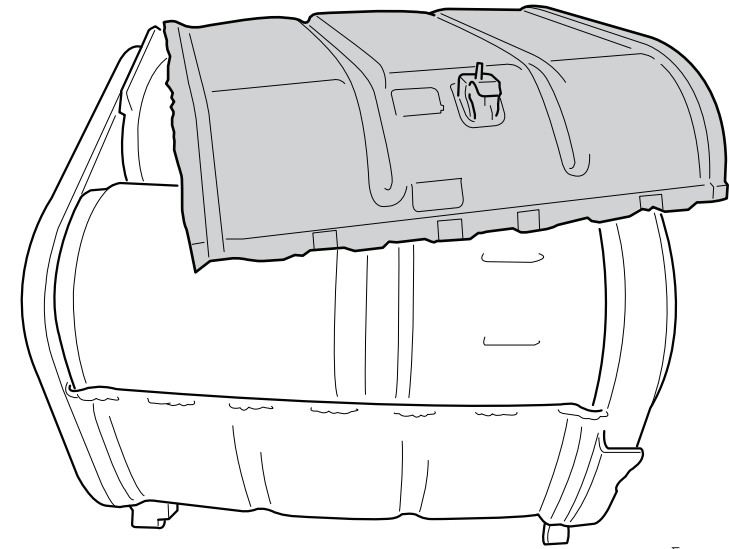


1. Cut away the brackets which prevent access to the welds on the protective plates.
2. Cut a few millimetres outside the welds securing the protective plates.

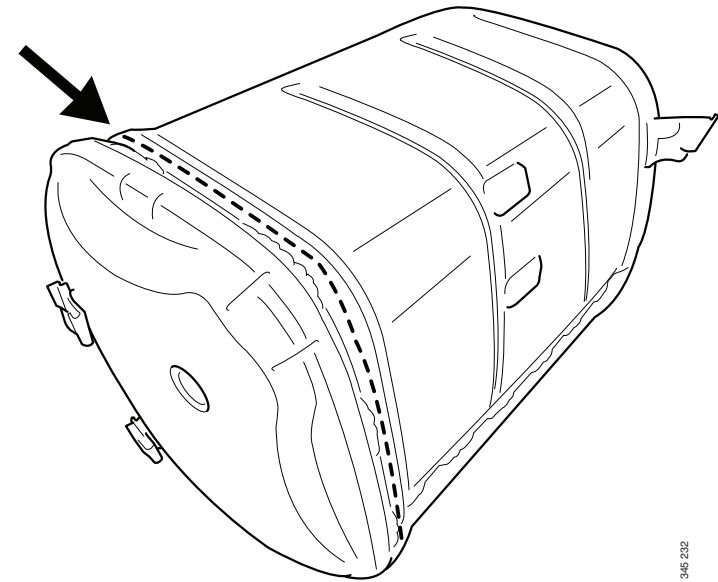


3. Lift off the protective plate.



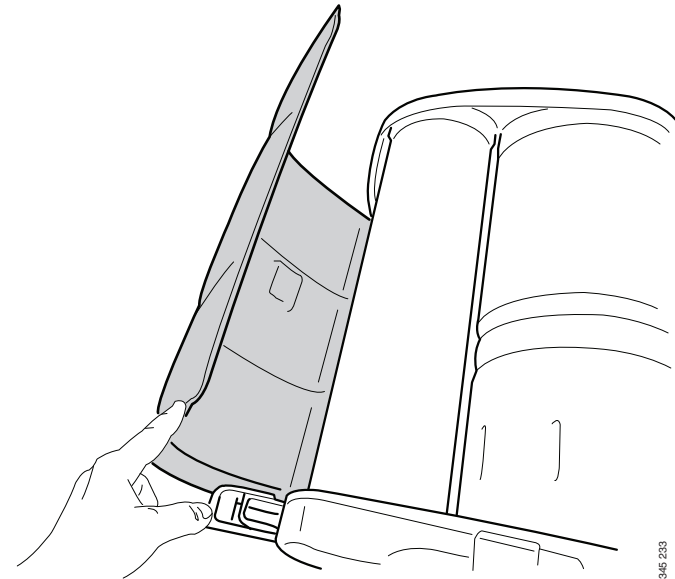
346 231

4. Cut a few millimetres outside the welds securing the protective plate.



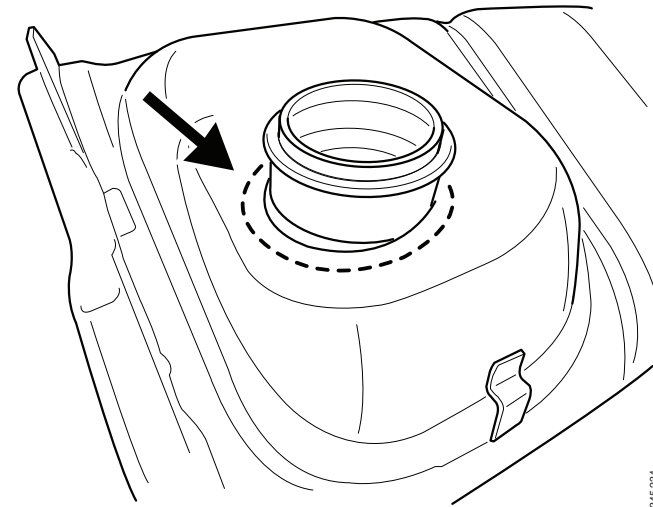
3165 232

5. Lift off the protective plate.



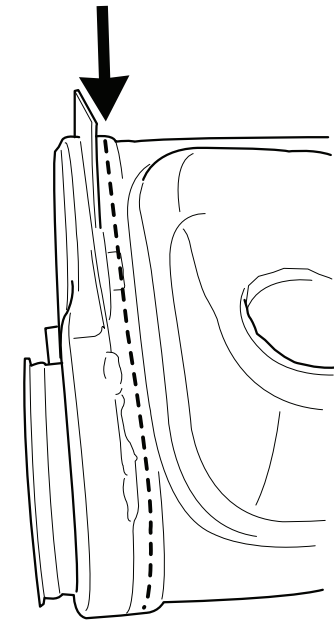
346 233

6. Cut the exhaust spigot under the weld.



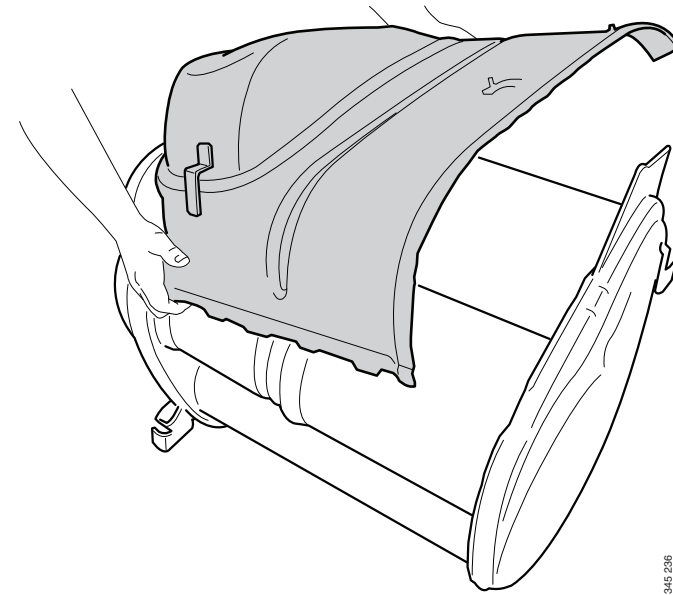
345234

7. Cut a few millimetres outside the welds securing the protective plate.

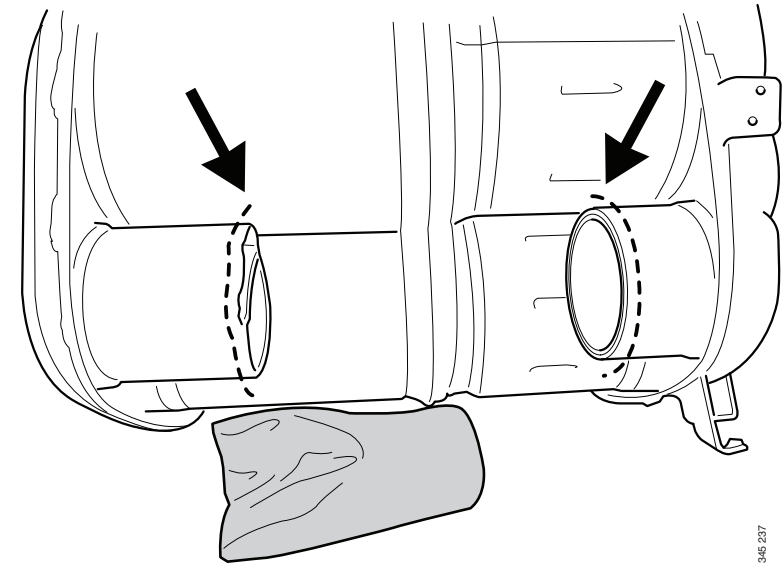


346 235

8. Lift off the protective plate.



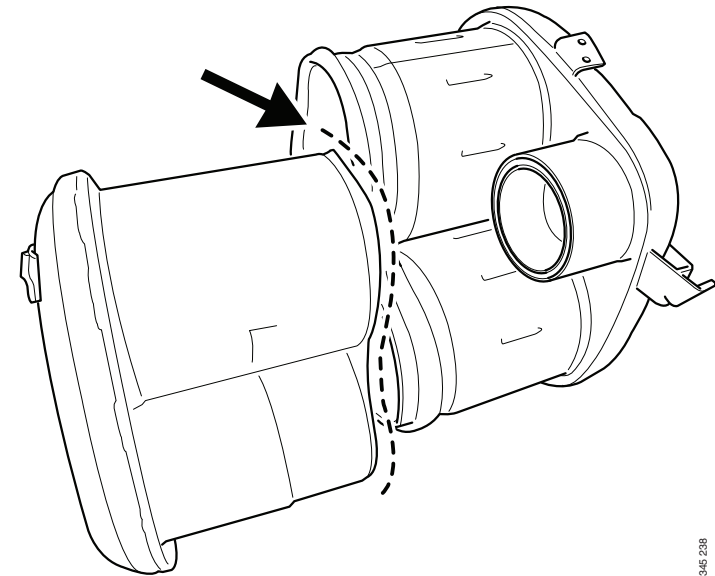
9. Cut off the pipe.



945 237

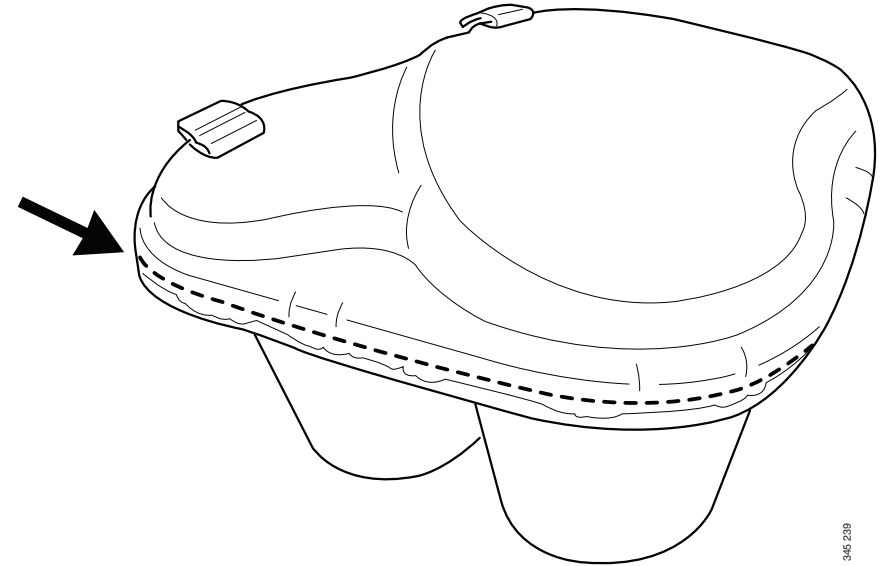


10. Cut/divide the silencer as illustrated.



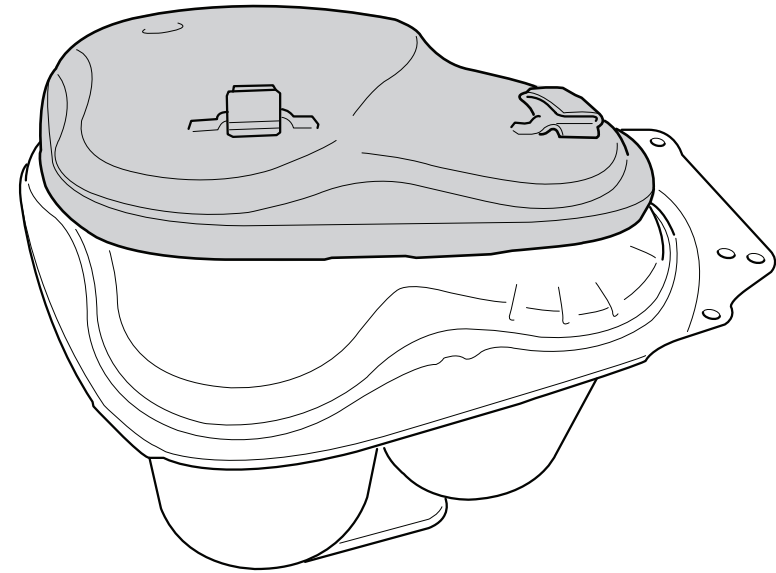
945 238

11. Cut a few millimetres outside the welds securing the protective plate.



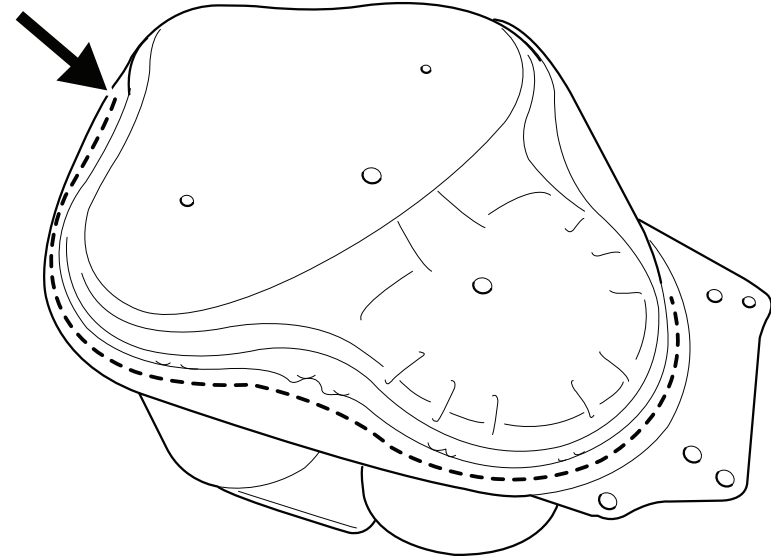
945 239

12. Lift off the protective plate.



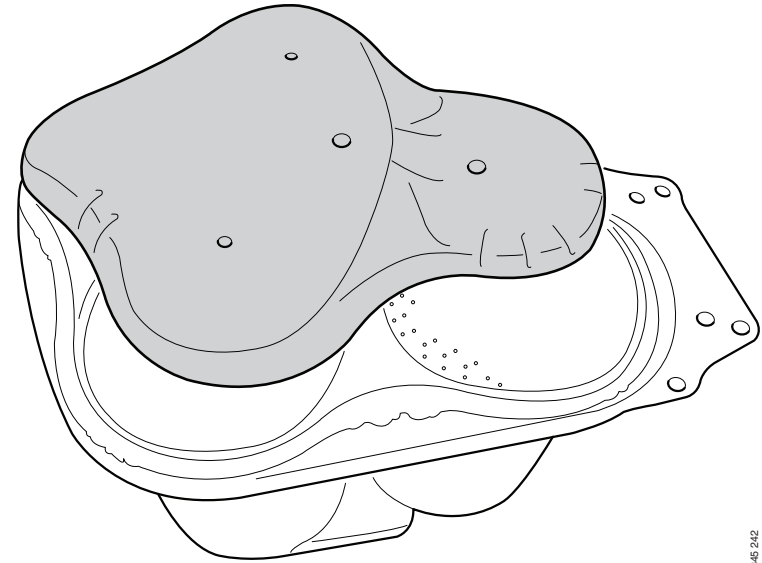
945 240

13. Cut a few millimetres over the weld securing the end plate.



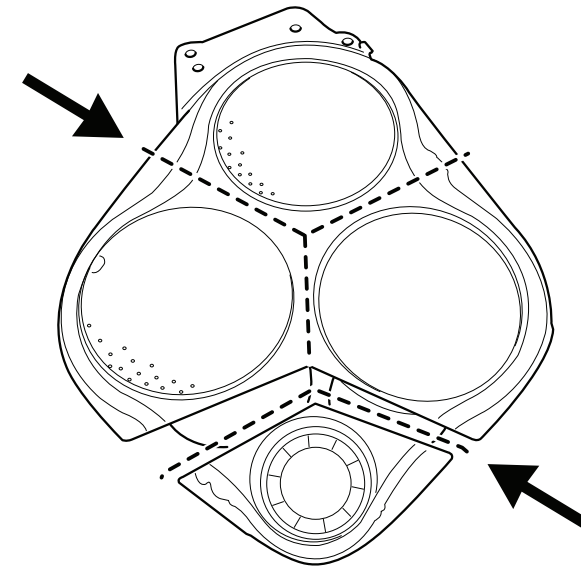
345 241

14. Lift off the end plate.



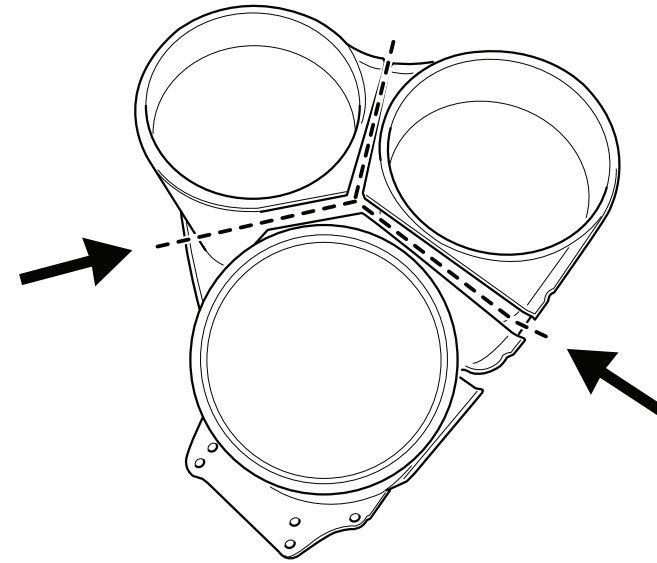
3145 242

15. Cut/divide the silencer as illustrated. Turn over the silencer.



94E 243

16. Cut/divide the silencer as illustrated.



34E 244