

List of "equipment" codes

Key to appliances

Code	Function name	Location
A001	Cab electrical distribution box	-
A002	Chassis-cab connection box	-
A004	Batteries	A01 / A20
A006	Electrically controlled master switch	A01
A009	Alternator	A01 / A20
A011	Voltage converter (24V / 12V) for information technology pack	I03
A013	Voltage converter (24V / 12V - 15A) for audio communication system	I20
A014	Power fuse box unit (FM1 to FM4)	A01 / A20
A021	Voltage converter (24 / 12V - 15A)	I03
A200	Available power supply (insulated cut wires)	J21
A201	Available power supply (vehicle earth)	H30 / J20 / J21
A204	Available power supply (after master switch)	J20 / J21
A205	Available power supply (after ignition)	J20 / J21
A206	Available power supply (CB +)	I20
A212	Available power supply (engine speed)	J21
A213	Available power supply (PTO N°1)	J20
A219	Available power supply (radio-telephone +)	I20
A220	Available power supply (radio-telephone -)	I20
A230	Available power supply (equipment in "road" position warning pictogram)	J20
A231	Available power supply (equipment in "working" position warning pictogram)	J20
A240	Available power supply (lighting)	H30 / J20
A245	Available power supply (lighting and side/parking lights)	H30
A246	Available power supply (PTO N°1 control)	J20
A247	Available power supply (alternator information, engine running)	J20
A248	Available power supply (alternator information, engine speed)	J20
A249	Available power supply (tachograph corrected speed information)	J20
A250	Available power supply (PTO 2 control)	J21
A251	Available power supply (PTO 2 warning light)	J21
A252	Available power supply (PTO 2 solenoid valve piloting)	J21

A253	Available power supply (reversing information)	J20
A254	Available power supply (parking brake information)	J20
A255	Available power supply (gearbox neutral information)	J20
A256	Available power supply (chassis-mounted engine speed control actuation demand)	J20
A257	Available power supply (selection of engine speed N°1)	J20
A258	Available power supply (selection of engine speed N°2)	J20
A259	Available power supply (engine speed acceleration demand)	J20
A260	Available power supply (engine speed deceleration demand)	J20
A270	Available power supply (main engine speed automatic return)	J20
A280	Available power supply (low speed)	J20
A281	Available power supply (engine stop control)	J20
A282	Available power supply (engine start control)	J21
A283	Available power supply (engine starting information)	J21
A284	Available power supply (engine alert)	J21
A285	Available power supply (parameter definable frequency-related output)	J21
A286	Available power supply (PLC 2 min. output)	J21
A287	Available power supply (PLC 1 min. output)	J21
A288	Available power supply (PLC 1 min. input)	J21
A289	Available power supply (PLC 2 min. input)	J21
A290	Available power supply (high level CAN bus J1939)	J21
A291	Available power supply (low level CAN bus J1939)	J21
A294	Available power supply (LH rear marker light(s))	J21
A295	Available power supply (RH rear marker light(s))	J21
A297	Available power supply (night lighting)	J21
A303	Pre-arrangement for onboard management (ECU)	B60
A308	Pre-arrangement for onboard management (screen and keyboard)	J21
A311	Available power supply (PTO 1 engaged information)	J20
A312	Available power supply (equipment in dangerous position)	J20
A313	Available power supply (CAN bus disabling)	J21
A314	Available power supply (engine speed set-point validation)	J21
A319	Available power supply (suspension level control)	J20
A320	Available power supply (suspension level actuation control)	J20
A321	Available power supply (6 km/h limitation)	J20
A323	Available power supply (alarm stop)	J20

A324	Available power supply (rigid perimetric protection module)	J21
B001	Air suspension remote control	F01 / F02 / F03
B026	Automatic transmission gear selector	D01
B103	Key switch unit	A01 / A20
B105	Engine stop control	C02
B106	Hazard lights control	H04
B111	Horn control	H06
B113	Side/parking lights control	H05
B116	Doors locking control	G01
B117	Sun-roof opening / closing control (on dashboard)	I01
B118	Swivelling rearview mirrors and alarm siren adjustment control	I02
B119	Rearview mirrors and windscreen defrosting control	I02
B120	Passenger's electric curtain motor control (passenger side)	I01
B121	Passenger's electric curtain motor control (driver side)	I01
B122	Front curtain motor control (driver side)	I01
B125	Radio set control	B20
B126	Driver's window winder motor control (driver side)	I01
B127	Front passenger window winder motor control (front passenger side)	I01
B130	Front passenger window winder motor control (driver side)	I01
B131	Air conditioner control	I70
B136	Cruise control and engine speed regulator adjustment control	B03
B137	Windscreen wash control	H05
B138	Windscreen wipers control	H05
B139	Windscreen / headlamps wash/wipe control	H05
B140	Dipped beam headlights control	H05
B141	Main beam headlights control	H05
B142	Headlamps ride corrector control	H04
B143	Steering wheel fingertip controls N° 1	H04 / H05 / H06
B144	Long range driving lights control	H30
B145	Fog driving lights control	H05
B146	Fog lights control	H05
B148	Working lights control	H06
B151	Reversing buzzer inhibition control	H04
B155	Electric or hydraulic retarder control	B01
B162	Cab tilting control	B01

B163	Alarm anti-panic control	G20
B164	Rear wheels diff lock control	E01 / E03
B165	Second rear axle lift-up control	F02 / F03
B167	Cab add-on heater control	I40 / I42
B168	Traction control enabling control	E01 / E03
B169	Trailer brake holding enabling control	E01 / E03
B170	Cab emergency stop control	A21
B171	Chassis emergency stop control	A21
B172	Alarm siren sound level reduction control	G20
B175	Pre-arrangement for bodybuilder N° 1 control	J20
B176	Pre-arrangement for bodybuilder N° 2 control	J20
B177	PTO 1 engagement request control (in cab)	B01
B178	Cab interior lighting control (on dashboard)	H06
B179	Cab interior lighting control (in cab)	H06
B180	Sun-roof opening / closing control (on cab rear control console)	I01
B181	Direction indicator control	H04
B182	Auto/manual selection control	B01
B184	Axle load-shedding activation control	F02 / F03
B185	PTO 2 engagement request control (in cab)	J01
B186	Brake holding enabling control	E01
B194	Overhead lighting control (ambience)	H06
B199	Fast idling adjustment control	B03
B200	Cruise control / engine speed adjustment controls	B03
B207	Emergency flashing lights control	B63
B219	Driver's side electric curtain motor control	I01
B220	Optiroll control	B01
C001	LH front wheel brake linings wear sensor	E01 / E03
C002	RH front wheel brake linings wear sensor	E01 / E03
C003	LH rear wheel brake linings wear sensor	E01 / E03
C004	RH rear wheel brake linings wear sensor	E01 / E03
C005	Lift-up axle or second rear axle LH wheel brake linings wear sensor	E01
C006	Lift-up axle or second rear axle RH wheel brake linings wear sensor	E01
C007	LH front wheel speed sensor	E01 / E03
C008	RH front wheel speed sensor	E01 / E03
C009	LH rear wheel speed sensor	E01 / E03

C010	RH rear wheel speed sensor	E01 / E03
C011	Lift-up axle or second rear axle LH wheel speed sensor	E01
C012	Lift-up axle or second rear axle RH wheel speed sensor	E01
C013	Driver's door open position information sensor	H05
C014	Passenger's front door open position information sensor	H05
C019	Boost air pressure and temperature sensor	C02
C020	Boost air temperature sensor	C02
C021	Boost air pressure sensor	C02
C022	Engine oil level sensor	C02
C023	Engine oil pressure sensor	C01
C024	Engine oil level and temperature sensor unit	C02
C025	3-level air conditioning pressure sensor	I70
C027	Low level air conditioning pressure sensor	I70
C028	High level air conditioning pressure sensor	I70
C029	Intermediate level air conditioning pressure sensor	I70
C030	Rear inter-axle diff lock engaged sensor	E01 / E03
C035	PTO 1 engaged position information sensor	B03
C036	PTO 2 engaged position information sensor	J01
C038	Drive axle suspension RH position sensor	F01 / F02 / F03
C039	Drive axle suspension LH position sensor	F02 / F03
C045	Internal temperature sensor	I42
C046	External temperature sensor	B20
C048	Engine cooling circuit temperature sensor	C01
C051	Fuel level sensor	B20
C053	Stop lights switch	E01 / E03
C054	Air filter clogging sensor	B20
C056	Tachograph speed sensor	B40
C057	Neutral position sensor	B03
C058	Reverse gear engaged position sensor	B03
C059	Retarder oil temperature sensor	D01 / D31
C060	Retarder coolant temperature sensor	D30 / D31
C061	Front axle suspension position sensor	F03
C062	Clutch position sensor	D01
C064	Retarder air pressure sensor	D01
C066	Retarder coolant temperature sensor	D01

C067	Flywheel speed sensor	C02
C068	Camshaft engine speed sensor	C02
C071	Alarm ultra-sonic transmitter sensor	G20
C072	Alarm ultra-sonic receiver sensor	G20
C075	AdBlue tank temperature and level sensors	C30
C076	Exhaust gases temperature sensor	C30
C077	Nitrogen oxides gases concentration sensor	C30
C078	Exhaust gases after catalytic converter temperature sensor	C30
C079	Trailer braking assistance pressure system sensor	E01 / E03
C084	Engine oil temperature sensor	C02
C086	Steering lockover angle sensor	E01 / E03
C087	Chassis lateral acceleration sensor	E01 / E03
C088	Engine coolant level sensor	C01
C090	Add-on heater temperature sensor	I40 / I42
C096	Range change selector pressure sensor	C02
C109	Water in fuel sensor	C01
C110	Parking brake indicator pressure sensor	E01 / E03
C111	Accelerator pedal position sensor	B01
C112	Accelerator pedal "rest" position sensor N° 2	B01
C113	Accelerator pedal rest position sensor	B01
C114	Accelerator pedal sensor unit	B01
C115	Lift-up air spring pressure sensor	F02 / F03
C116	Middle axle suspension air pressure sensor	F02 / F03
C117	Front air spring pressure sensor	F03
C118	Drive axle suspension LH pressure sensor	F02 / F03
C119	Drive axle suspension RH pressure sensor	F01 / F02 / F03
C120	Piloted axle oil level sensor	F20
C121	Piloted axle lockover angle sensor	F20
C122	Piloted axle lockover angle sensor	F20
C130	Clutch pedal position sensor	B01
C132	Engine boost pressure sensor	C01
C133	Engine cooling fan speed sensor	C02
C134	Brake pedal sensor unit	E01 / E03
C135	Brake pedal position copying sensor	E01 / E03
C149	Driver's seatbelt not buckled sensor	B20

C150	Engine block inside pressure sensor	C01
C172	Fifth wheel position sensors	B20
C227	Pistons cooling oil pressure sensor	C01
C250	Blown air temperature sensor	I70
C260	Evaporator temperature sensor	I70
C261	Air conditioning outside air temperature sensor	I70
C263	AdBlue internal temperature sensor	C30
C264	AdBlue internal pressure sensor	C30
C268	Hydraulic retarder oil pressure sensor	D31
C269	Temperature sensor on the autonomous heating system	I40 / I42
C270	Flame presence detector	I42
C271	Overheating sensor	I42
C273	Exhaust backpressure sensor	C01
D001	Principal information display	B20
D004	Tachograph	B40
E007	Bunk lower RH overhead light	H06
E008	Driver's side single overhead light	H06
E009	Bunk lower LH overhead light	H06
E010	Front passenger's side single overhead light	H06
E012	RH upper overhead lighting (door)	H06
E025	Driver's reading spotlight	H06
E026	Front passenger's reading spotlight	H06
E027	Cigar lighter light	I03
E033	LH upper overhead lighting (door)	H06
E034	LH overhead lighting (ambience)	H06
E035	RH overhead lighting (ambience)	H06
E038	Row 1 lighting	H06
E039	Row 2 lighting	H06
E040	Row 3 lighting	H06
E041	Row 4 lighting	H06
E042	Upper left-hand side overhead lamp lighting	H06
E043	Upper right-hand side overhead lamp lighting	H06
E100	RH front direction change indicator lights	H04
E101	LH front direction change indicator lights	H04
E102	Driver's side stepwell lighting	H06

E103	Front passenger's side stepwell lighting	H06
E104	Roof RH front direction change indicator lights	H04
E105	Roof LH front direction change indicator lights	H04
E109	RH rear direction change indicator lights	H04
E110	LH rear direction change indicator lights	H04
E116	RH rear fog light	H04
E117	LH rear fog light	H04
E119	LH stop lights	H04
E120	RH stop lights	H04
E122	RH clearance light N° 1	H04
E123	RH clearance light N° 2	H04
E124	LH front side/parking lights	H04
E125	RH front side/parking lights	H04
E128	LH clearance lights N° 3	H04
E129	LH clearance lights N° 4	H04
E131	RH clearance lights N° 3	H04
E132	RH clearance lights N° 4	H04
E133	LH clearance lights N° 1	H04
E134	LH clearance lights N° 2	H04
E135	LH tail lights unit	H04
E136	RH tail lights unit	H04
E137	RH rear side/parking lights	H04
E138	LH rear side/parking lights	H04
E141	LH reversing lights	H04
E142	RH reversing lights	H04
E144	Roof LH side/parking lights	H04 / H30
E145	Roof LH side/parking lights	H04 / H30
E149	Anti-glare strip-mounted LH marker lights	H30
E150	Anti-glare strip-mounted RH marker lights	H30
E151	Right-hand side marker lamp N° 5	H04
E152	Left-hand side marker lamp N° 5	H04
E500	RH dipped beam headlight	H04
E501	LH dipped beam headlight	H04
E502	RH main beam headlight	H04
E503	LH dipped beam headlight	H04

E504	RH headlamp insert	H04
E505	LH headlamp insert	H04
E506	LH fog driving light	H05
E507	RH fog driving light	H05
E510	Working spotlight	H06
G001	Vehicle management ECU	B01 / B03
G002	Engine management ECU	C01 / C02
G003	Bodybuilder pre-arrangement management ECU	J01
G004	Air suspension ECU	F01 / F02 / F03
G005	EBS braking management ECU	E01 / E03
G006	Vehicle power supply management ECU (ADR)	A21
G007	Front axle braking assistance modulator unit	E01 / E03
G008	Drive axle braking assistance modulator unit	E01 / E03
G012	Lighting and signalling management ECU	H04 / H05 / H06
G016	Second rear axle braking assistance modulator unit	E01
G017	Cab temperature regulation ECU	I42
G018	Onboard management interface ECU	B60 / B63
G019	Gear selector ECU	D01
G020	Automatic transmission ECU	D01
G021	Hydraulic retarder ECU	D30 / D31
G025	Engine immobilizer ECU	G01
G026	Alarm ECU	G20
G027	Piloted axle ECU	F20
G028	Doors central locking ECU	G01
G030	AdBlue supply management pump module	C30
G051	Air production management ECU	F40
G053	Air/air autonomous heating ECU	I40
G100	Datamax gateway ECU	B61
G102	Onboard management ECU	B61 / B63
G103	Positioning module ECU	B61
G104	Tyre pressures monitoring ECU	G60
H001	Engine immobilizer antenna	G01
H005	GPS satellite antenna	I20
H011	LH front loudspeaker	I20
H012	RH front loudspeaker	I20

H014	Radio set	I20
H019	Microphone	I20
H020	Sharp loudspeaker, LH side	I20
H021	Sharp loudspeaker, RH side	I20
J001	Cigar lighter	I03
J002	RH heated seat unit	I03
J003	LH heated seat unit	I03
J006	Refrigerated compartment	I03
J007	Refrigerator	I03
K001	Air/water add-on heater	I42
K002	Air/air add-on heater	I40
K003	Air conditioning ECU	I70
L004	External horn	H04
L006	Horn - Alarm siren	G20
L008	Electric horn	H06
M002	Starter	A01 / A20
M020	Windscreen wipers drive motor	H05
M021	Windscreen wash pump motor	H05
M022	Headlamps wash pump motor	H05
M023	LH headlamp ride correction motor	H04
M024	RH headlamp ride correction motor	H04
M027	Windscreen wash motor / headlamps wash motor unit	H05
M050	Front passenger's sun visor motor	I01
M051	Driver's sun visor motor	I01
M052	Front sun visor motor	I01
M056	Driver's door window winder motor	I01
M057	Front passenger's door window winder motor	I01
M060	Electric roof air vent motor	I01
M061	Air recycling motor	I70
M064	Air mixing flap motor	I70
M080	RH rearview mirror horizontal swivelling motor	I02
M081	RH rearview mirror vertical swivelling motor	I02
M082	LH rearview mirror horizontal swivelling motor	I02
M083	LH rearview mirror vertical swivelling motor	I02
M101	Add-on heater fan motor	I40 / I42

M102	Cab tilting motor	B01
M107	Air/water autonomous heating water pump	I42
M200	Air conditioning compressor electric clutch	I70
M202	Driving position fan-coil heater motor	I70
M203	Add-on heater fuel pump motor	I40 / I42
M205	Water pump electromagnetic clutch	C02
N001	Fuel heater resistor N° 2	C01
N004	Air preheating resistor	C01
N008	LH defrosting rearview mirror resistor	I02
N009	RH defrosting rearview mirror resistor	I02
N015	AdBlue heating resistor (in tank to pump module circuit)	C30
N016	AdBlue heating resistor (in pump module to tank circuit)	C30
N017	AdBlue heating resistor (in pump module to metering solenoid valve circuit)	C30
N018	AdBlue heating resistor (in metering solenoid valve to pump module circuit)	C30
N019	AdBlue heating resistor (in filter on pump)	C30
N027	Fan/coil heater pilot-control resistors assembly	I70
N034	Autonomous heating system heating element	I40 / I42
S001	After ignition power supply relay N°1	A40
S002	After ignition power supply relay N°2	A41
S003	After ignition power supply relay N° 3	A41
S004	Accessories power supply relay N° 1	A42
S005	Accessories power supply relay N° 2	A42
S020	Starting relay	A41
S021	Alternator circuit earthing relay (ADR)	A20 / A40
S022	Alternator controlled power supply relay (engine running)	A20 / A40
S100	Stop lights power supply relay	A40
S101	Rear fog lights power supply relay	A42
S102	Main beam headlights power supply relay	A42
S103	Fog driving lights power supply relay	A42
S104	Reversing lights power supply relay	A41
S105	RH and LH side/parking and marker lights power supply relay	A44
S106	Switches night lighting power supply relay	A45
S107	RH and LH side/parking and marker lights power supply relay (trailer and bodybuilder)	A44

S109	Long range driving lights power supply relay	H30
S200	Automatic transmission management ECU power supply relay	A42
S201	Vehicle and engine ECUs power supply relay	A41
S202	Air suspension power supply relay	A43
S300	Cab tilting safety and authorization relay	A40
S400	Windscreen wipers motor time-delay relay	A41
S401	Headlamps wash pump motor power supply relay	H05
S451	Air conditioning compressor clutch power supply relay	A43
S452	Air conditioning fan piloting relay	I70
S453	Add-on heater power supply relay	A43
S500	Heated and swivelling rearview mirror power supply relay	A41
S501	Air preheating relay	C01
S600	Cab tilting motor power supply relay	B01
V002	Rear wheels diff lock electrovalve	E01 / E03
V003	LH roadwheel ABS electrovalve	E01 / E03
V004	Front RH wheel ABS solenoid valve	E01 / E03
V005	Axle piloting solenoid valve unit	F20
V006	Locking solenoid valve	F20
V007	LH steer control solenoid valve	F20
V008	RH steer control solenoid valve	F20
V010	PTO engagement electrovalve N° 1	B01 / D01
V011	High speed disengagement solenoid valve	D01
V012	High speed engagement solenoid valve	D01
V013	Low speed engagement solenoid valve	D01
V014	Low speed disengagement solenoid valve	D01
V015	Retarder proportional electrovalve	D01 / D30
V016	Retarder accumulation electrovalve	D30
V018	PTO engagement electrovalve N° 2	D01 / J01
V020	Exhaust brake solenoid valve unit	C01
V021	Engine brake N° 1 solenoid valve	C01
V023	Exhaust brake solenoid valve	C01
V030	Drive axle suspension control solenoid valve unit	F01 / F02 / F03
V031	Drive axle rear suspension main electrovalve	F01 / F02 / F03
V032	Drive axle rear suspension (RH side) electrovalve	F01 / F02 / F03
V033	Drive axle rear suspension (LH side) electrovalve	F02 / F03

V034	Rear axle suspension control solenoid valve unit	F02 / F03
V035	Rear axle suspension main electrovalve	F02 / F03
V036	Rear axle suspension electrovalve	F02 / F03
V037	Lift-up air spring control electrovalve	F02 / F03
V038	Front suspension electrovalve	F03
V050	Braking auxiliary electrovalve	E01 / E03
V051	Trailer braking inlet/exhaust electrovalve	E01 / E03
V052	Range change electrovalve	C01
V053	Splitter control electrovalve	C01
V054	Splitter and range change control unit	C01
V055	Engine water circuit by-pass solenoid valve	C30
V056	AdBlue supply metering solenoid valve	C30
V101	Cylinder injector solenoid valve N° 1	C02
V102	Cylinder injector solenoid valve N° 2	C02
V103	Cylinder injector solenoid valve N° 3	C02
V104	Cylinder injector solenoid valve N° 4	C02
V105	Cylinder injector solenoid valve N° 5	C02
V106	Cylinder injector solenoid valve N° 6	C02
V107	Air horn	H06
V108	Air dryer bleeding solenoid valve	C01
V109	Engine cooling fan speed regulation solenoid valve	C01
V126	Pistons cooling solenoid valve	C01
V127	Engine oil cooling solenoid valve	C01
V140	Cab heating engine coolant circuit by-pass solenoid valve	I70
V141	AdBlue cooling electrovalve	C30
V142	Hydraulic retarder oil pump control solenoid valve	D31
V143	Hydraulic retarder main oil flow circuit control solenoid valve	D31
W100	Alternator circuit draw resistor	A40
W500	Diode(s)	A40 / A42 / A43 / A44 / H06
W502	Diode on after ignition information circuit for vehicle management box	A40 / B03
W503	Diode on engine running information relay power supply circuit	A01 / A20 / A40 / B20
W504	Diode on alternator earthing relay power supply circuit	A40
W505	Diode on alternator earthing relay power supply circuit	A40
W506	Doors central locking diode	A43
W507	Vehicle alarm sounding diode	G20

X001	Electrical connection terminal	A01 / A20
X200	Available power supplies connector	J20 / J21
X203	CAN bus grouping connector	K21
X207	Audio auxiliary connector	I20
X208	Audio USB connector	I20
X900	15-pin trailer socket	J40
X902	24 Volts power supply socket	I03
X906	ABS/EBS trailer socket	J40
X907	Ground receptacle	A01
X908	12 Volts power supply socket	I03
X909	Extra 24 Volts power supply socket	I03
X913	Vehicle diagnostic socket	K01
Z001	Fuel heating unit	C01
Z003	Fan speed regulator unit	C01 / C02
Z004	Retarder unit	D01
Z005	Automatic transmission unit	D01
Z008	Driver's swivelling defrosting rearview mirror	I02
Z009	Passenger's swivelling defrosting rearview mirror	I02
Z010	Front passenger's door locking striker unit	G01
Z011	Driver's door locking striker unit	G01
Z014	Trailer brake control EBS modulator unit	E01 / E03
Z021	Adblue pump module assembly	C30

Summary of diagrams

Energy production (except ADR)

Diagram plate: **A01**

See page

Energy production ADR

Diagram plate: **A20**

See page

Control ECU ADR

Diagram plate: **A21**

See page

Electrical distribution (1/6)

Diagram plate: **A40**

See page

Electrical distribution (2/6)

Diagram plate: **A41**

See page

Electrical distribution (3/6)

Diagram plate: **A42**

See page

Electrical distribution (4/6)

Diagram plate: **A43**

See page

Electrical distribution (5/6)

Diagram plate: **A44**

See page

Electrical distribution (6/6)

Diagram plate: **A45**

See page

Vehicle electronic management (1/2)

Diagram plate: **B01**

See page

Vehicle electronic management (2/2)

Diagram plate: **B03**

See page

Principal information display

Diagram plate: **B20**

See page

Tachograph

Diagram plate: **B40**

See page

Onboard management FMS

Diagram plate: **B60**

See page

Onboard management DATAMAX

Diagram plate: **B61**

See page

Onboard management OPTIFLEET

Diagram plate: **B63**

See page

Engine electronic management (1/2)

Diagram plate: **C01**

See page

Engine electronic management (2/2)

Diagram plate: **C02**

See page

Urea inflow management

Diagram plate: **C30**

See page

Automatic gearbox

Diagram plate: **D01**

See page

Hydraulic retarder ECOSPLIT 2

Diagram plate: **D30**

See page

Hydraulic retarder ECOSPLIT 4

Diagram plate: **D31**

See page

EBS 6x2 equipment

Diagram plate: **E01**

See page

EBS 4x2 equipment

Diagram plate: **E03**

See page

Electronic air suspension - Tractors4x2 (1 sensor)

Diagram plate: **F01**

See page

Rear air suspension - 4x2 / 6x2 (2 sensors)

Diagram plate: **F02**

See page

Integral electronic air suspension - 4x2 / 6x2 (2 sensors)

Diagram plate: **F03**

See page

Steered axle

Diagram plate: **F20**

See page

Air production management

Diagram plate: **F40**

See page

Doors / engine immobilizer controls

Diagram plate: **G01**

See page

Alarm

Diagram plate: **G20**

See page

Checking tyre pressures

Diagram plate: **G60**

See page

Lighting and signalling management (1/3)

Diagram plate: **H04**

See page

Lighting and signalling management (2/3)

Diagram plate: **H05**

See page

Lighting and signalling management (3/3)

Diagram plate: **H06**

See page

Side, marker, identification and parking lights

Diagram plate: **H30**

See page

Electric window winder, sun-roof

Diagram plate: **I01**

See page

Swivelling defrosting rearview mirrors

Diagram plate: **I02**

See page

Comfort accessories

Diagram plate: **I03**

See page

Radio

Diagram plate: **I20**

See page

Independent (add-on) heating AT2000 ST

Diagram plate: **I40**

See page

Independent (add-on) heating THERMO 90ST

Diagram plate: **I42**

See page

Air conditioning

Diagram plate: **I70**

See page

Bodybuilder pre-arrangement management

Diagram plate: **J01**

See page

Available power supplies (1/2)

Diagram plate: **J20**

See page

Available power supplies (2/2)

Diagram plate: **J21**

See page

Trailer sockets

Diagram plate: **J40**

See page

Diagnostic socket

Diagram plate: **K01**

See page

BUS J1587-1 transfer zone

Diagram plate: **K20**

See page

CAN BUS transfer zone J1939-1

Diagram plate: **K21**

See page

CAN BUS transfer zone J1939-2

Diagram plate: **K22**

See page

CAN BUS transfer zone J1939-ENG

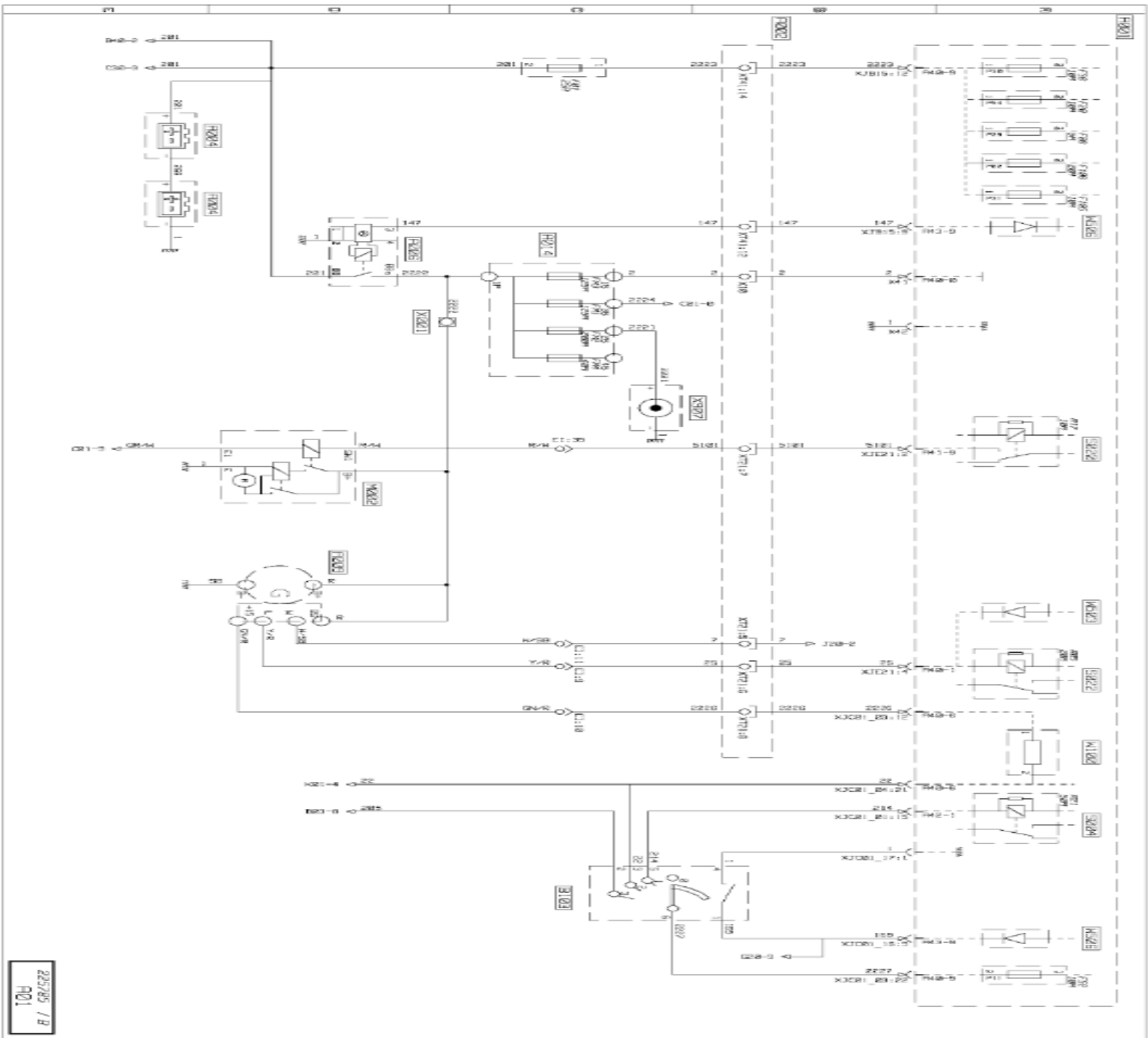
Diagram plate: **K23**

Energy production (except ADR)

Key to appliances

Code	Function	Location
A001	Cab electrical distribution box	B2c
A002	Chassis-cab connection box	B2c
A004	Batteries	C4d
A006	Electrically controlled master switch	C4d
A009	Alternator	B3c
A014	Power fuse box unit (FM1 to FM4)	C4d
B103	Key switch unit	C2c
M002	Starter	A3c
S004	Accessories power supply relay N° 1	B2c
S020	Starting relay	B2c
S022	Alternator controlled power supply relay (engine running)	B2c
W100	Alternator circuit draw resistor	B2c
W503	Diode on engine running information relay power supply circuit	B2c
W506	Doors central locking diode	B2c
X001	Electrical connection terminal	B4d
X907	Ground receptacle	C5d

Energy production (except ADR)



225285 / B
F01

Electrical distribution (1/6)

Key to appliances

Code	Function	Location
A001	Cab electrical distribution box	B2c
S001	After ignition power supply relay N°1	B2c
S021	Alternator circuit earthing relay (ADR)	B2c
S022	Alternator controlled power supply relay (engine running)	B2c
S100	Stop lights power supply relay	B2c
S300	Cab tilting safety and authorization relay	B2c
W100	Alternator circuit draw resistor	B2c
W500	Diode(s)	B2c
W502	Diode on after ignition information circuit for vehicle management box	B2c
W503	Diode on engine running information relay power supply circuit	B2c
W504	Diode on alternator earthing relay power supply circuit	B2c
W505	Diode on alternator earthing relay power supply circuit	B2c

AM: with ADR equipment

AN: without ADR equipment

BO: with **ECOSPLIT 2** hydraulic retarder

BP: with **ECOSPLIT 4** hydraulic retarder

BS: **4x2** vehicles

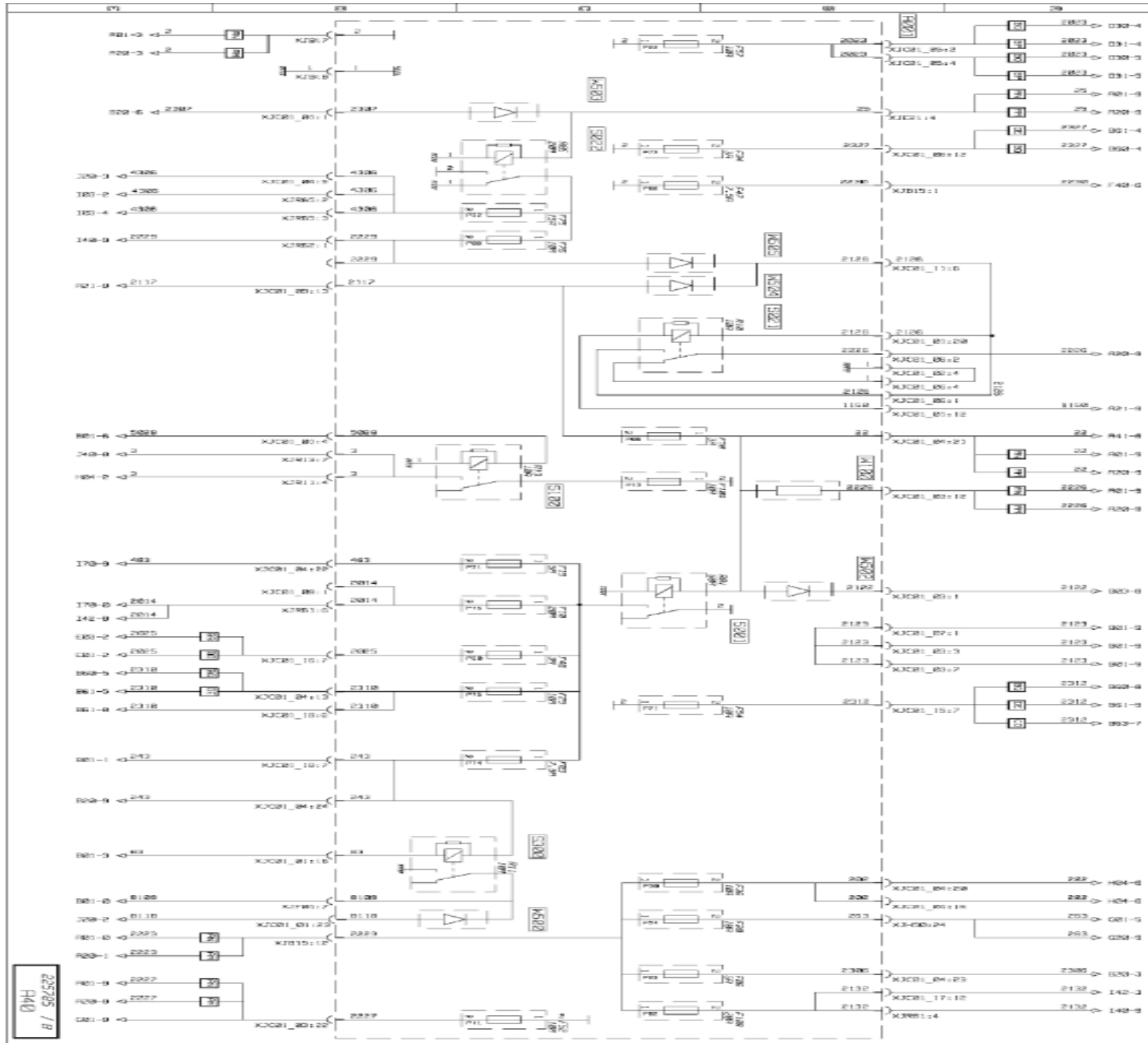
DD: **6x2** vehicles

BQ: with **FMS** equipment

CO: with **OPTIFLEET** equipment

DE: with **DATAMAX** equipment

Electrical distribution (1/6)



225705 / B
H40

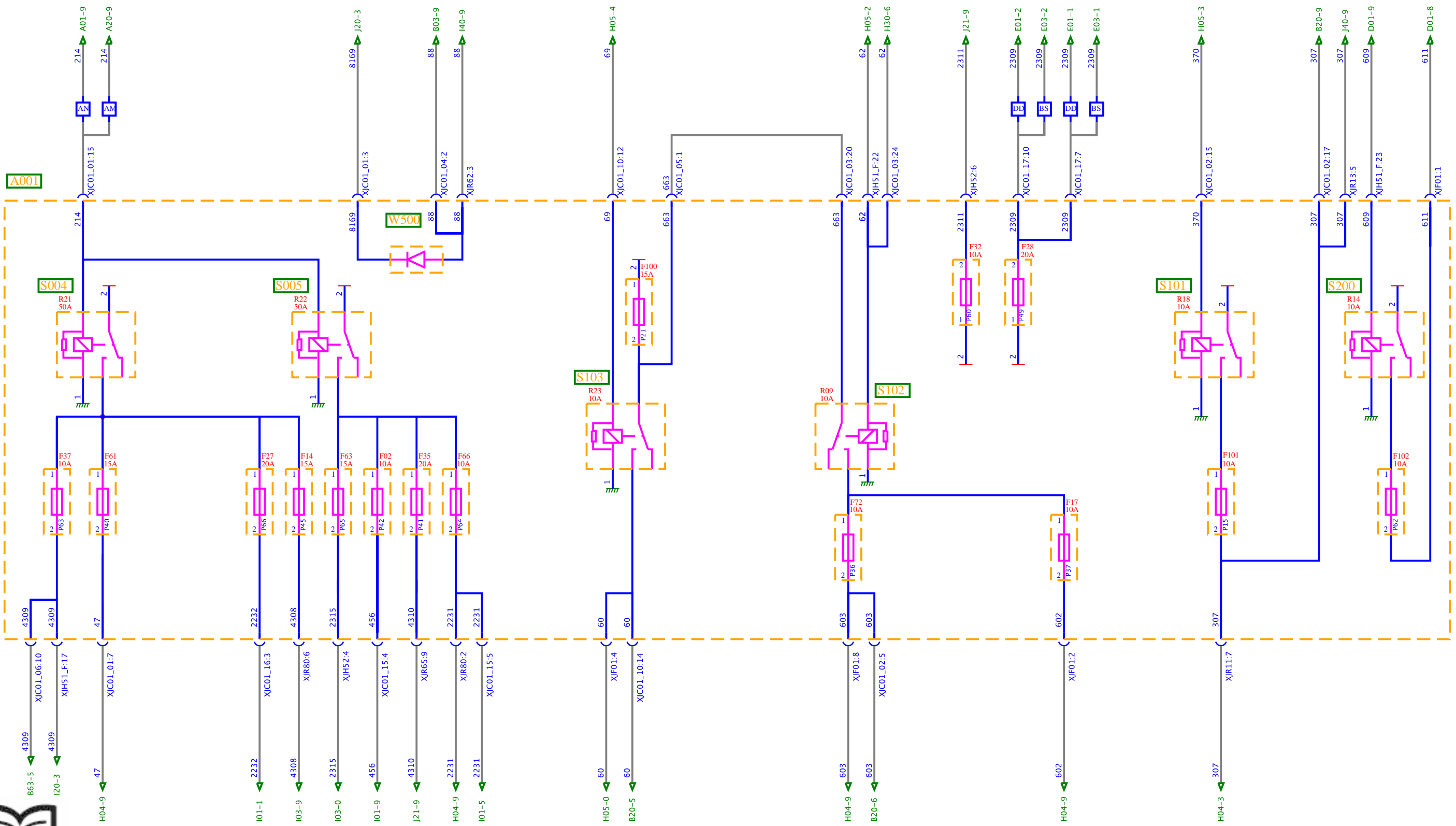
Electrical distribution (2/6)

Key to appliances

Code	Function	Location
A001	Cab electrical distribution box	B2c
S002	After ignition power supply relay N°2	B2c
S003	After ignition power supply relay N° 3	B2c
S020	Starting relay	B2c
S104	Reversing lights power supply relay	B2c
S201	Vehicle and engine ECUs power supply relay	B2c
S400	Windscreen wipers motor time-delay relay	B2c
S500	Heated and swivelling rearview mirror power supply relay	B2c

- AM:** with ADR equipment
- AN:** without ADR equipment
- BO:** with **ECOSPLIT 2** hydraulic retarder
- BP:** with **ECOSPLIT 4** hydraulic retarder
- BS:** **4x2** vehicles
- DD:** **6x2** vehicles
- BQ:** with **FMS** equipment
- DE:** with **DATAMAX** equipment
- DF:** with electronic air suspension tractor vehicle **4x2**
- EM:** with **4x2 - 6x2** vehicle rear electronic air suspension
- EN:** with **4x2 - 6x2** vehicle integral electronic air suspension

Electrical distribution (2/6)



Electrical distribution (3/6)

Key to appliances

Code	Function	Location
A001	Cab electrical distribution box	B2c
S004	Accessories power supply relay N° 1	B2c
S005	Accessories power supply relay N° 2	B2c
S101	Rear fog lights power supply relay	B2c
S102	Main beam headlights power supply relay	B2c
S103	Fog driving lights power supply relay	B2c
S200	Automatic transmission management ECU power supply relay	B2c
W500	Diode(s)	B2c

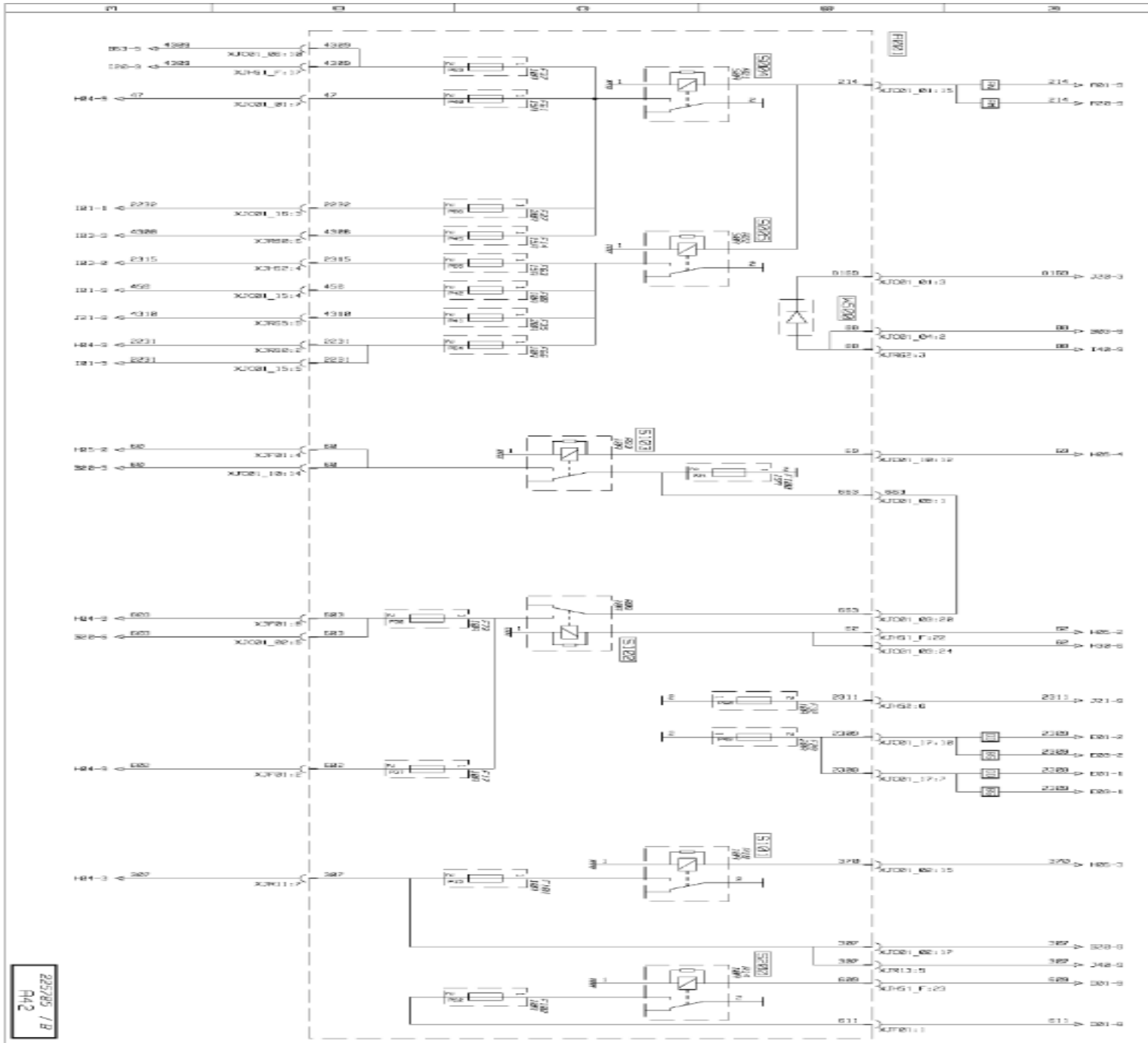
AM: with ADR equipment

AN: without ADR equipment

BS: 4x2 vehicles

DD: 6x2 vehicles

Electrical distribution (3/6)



Electrical distribution (4/6)

Key to appliances

Code	Function	Location
A001	Cab electrical distribution box	B2c
S202	Air suspension power supply relay	B2c
S451	Air conditioning compressor clutch power supply relay	B2c
S453	Add-on heater power supply relay	B2c
W500	Diode(s)	B2c
W506	Doors central locking diode	B2c

CX: Without air / air independent heating

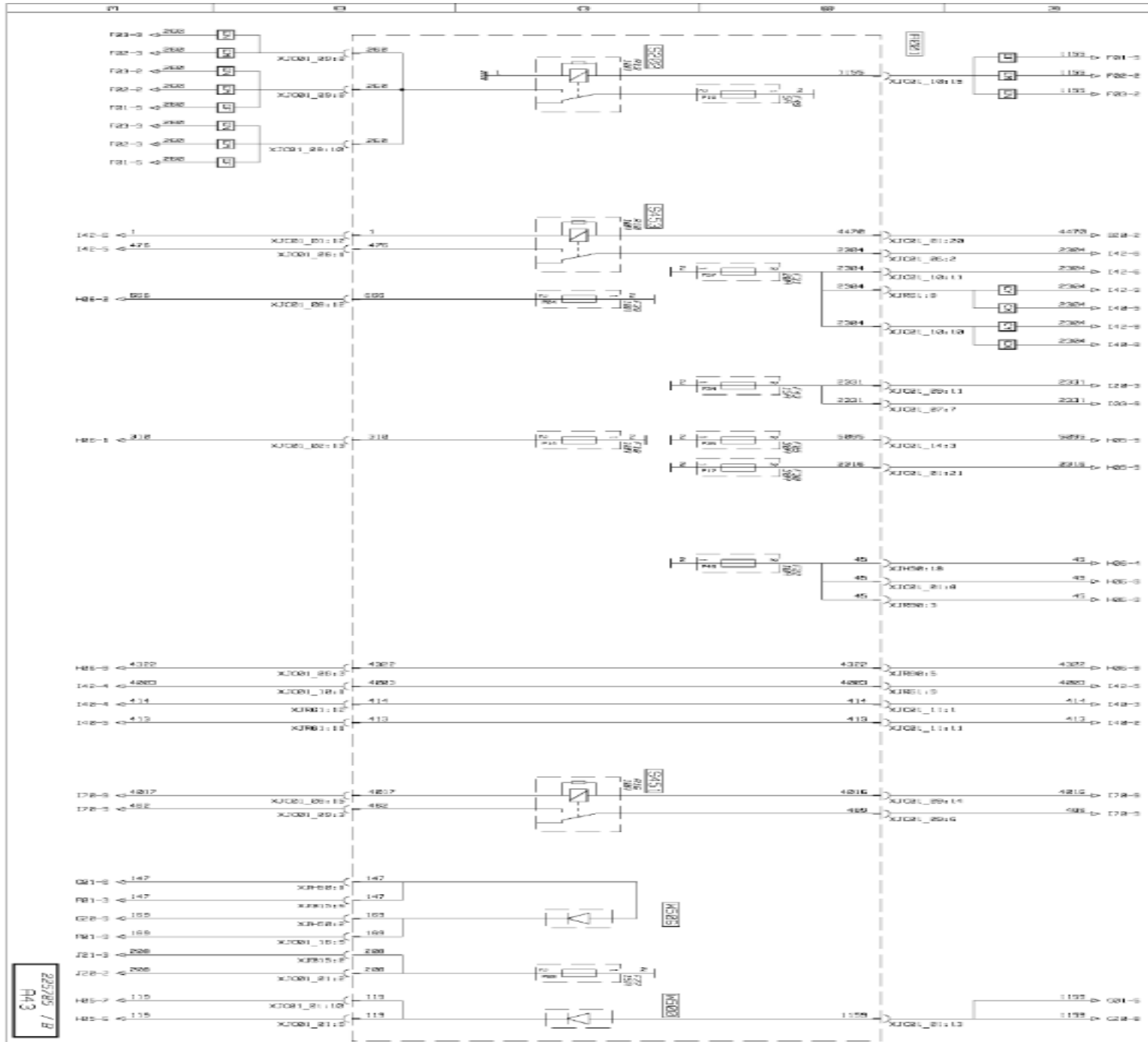
CY: Without air / water independent heating

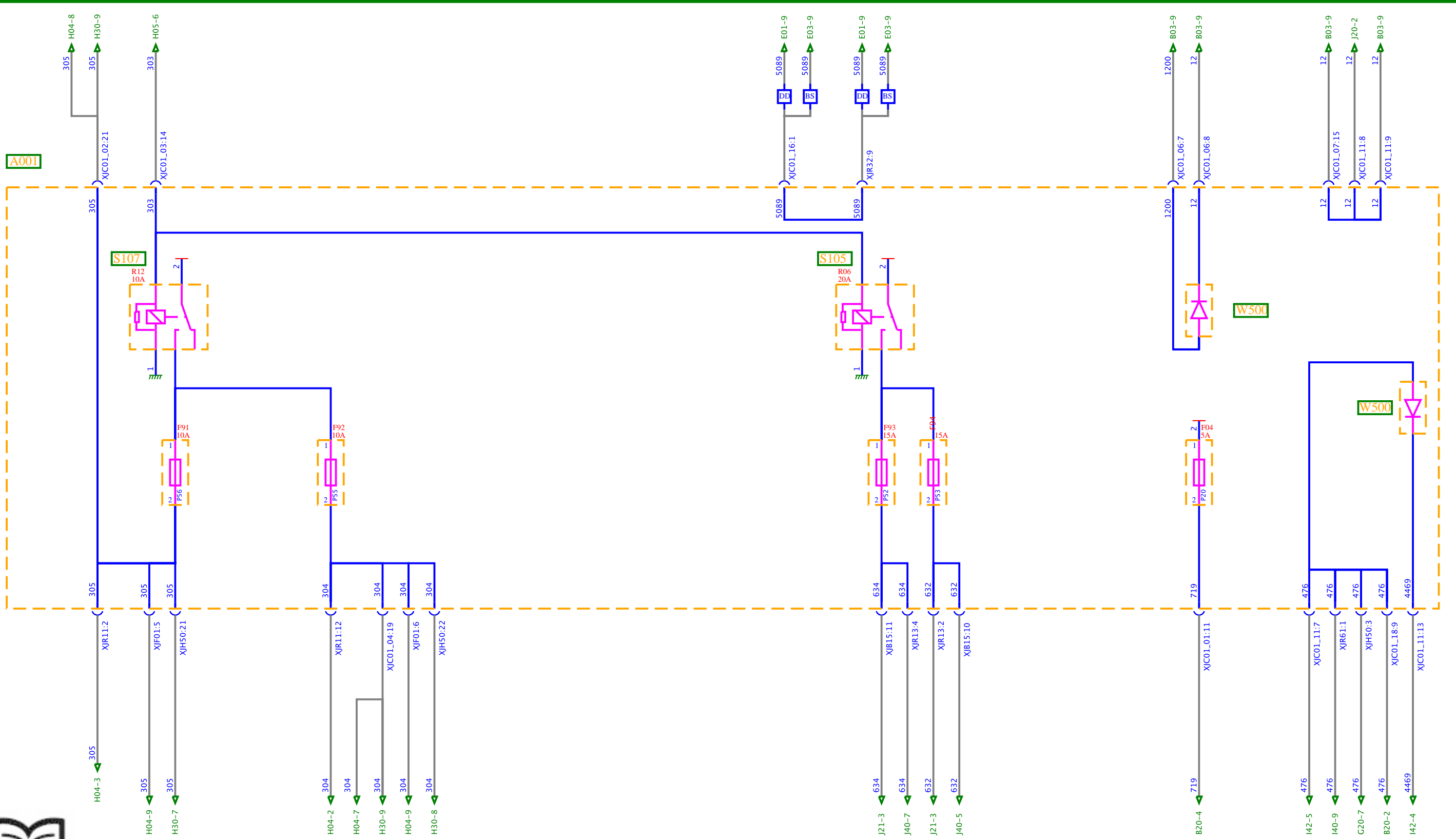
DF: with electronic air suspension tractor vehicle **4x2**

EM: with **4x2 - 6x2** vehicle rear electronic air suspension

EN: with **4x2 - 6x2** vehicle integral electronic air suspension

Electrical distribution (4/6)





Electrical distribution (5/6)

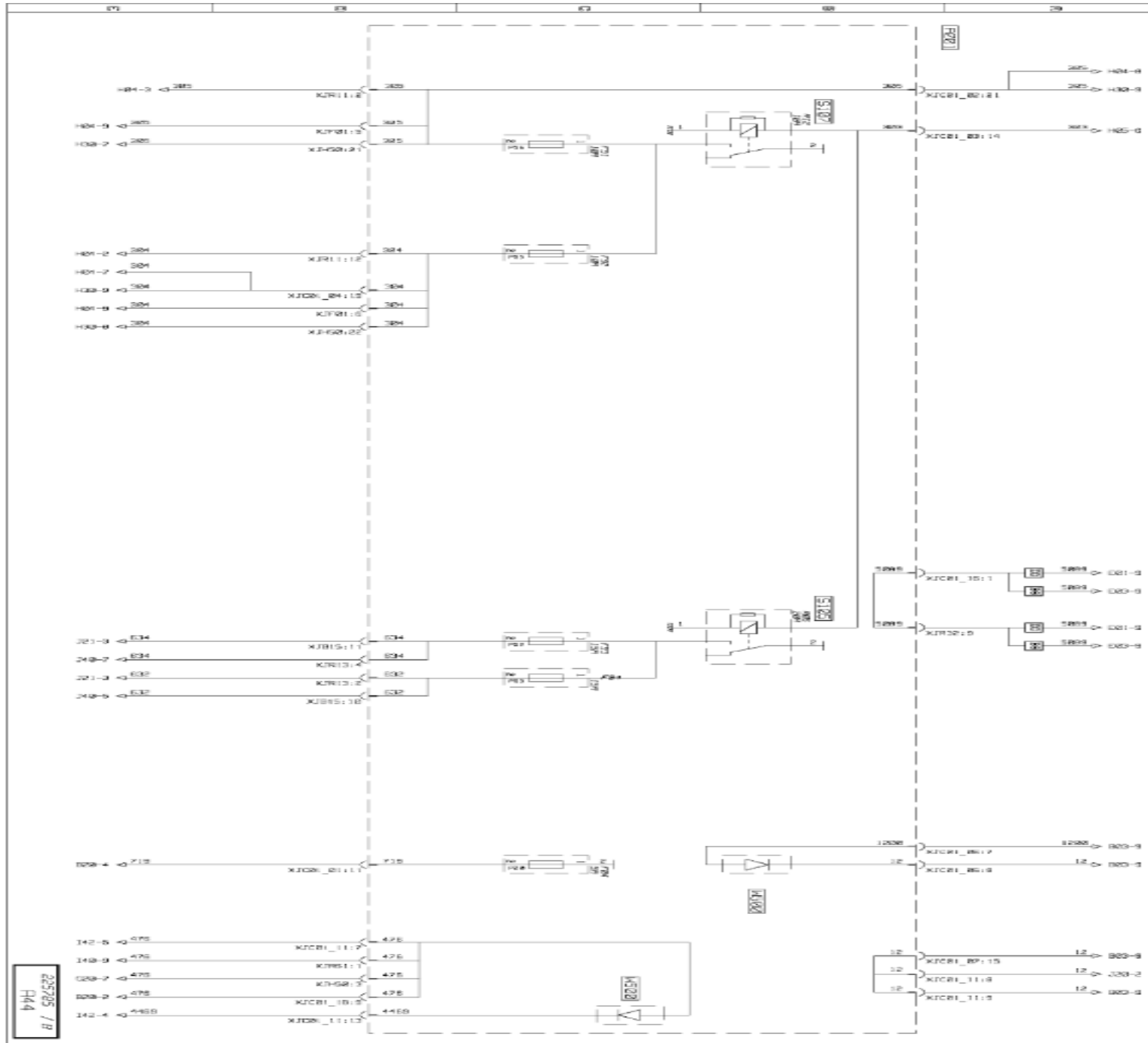
Key to appliances

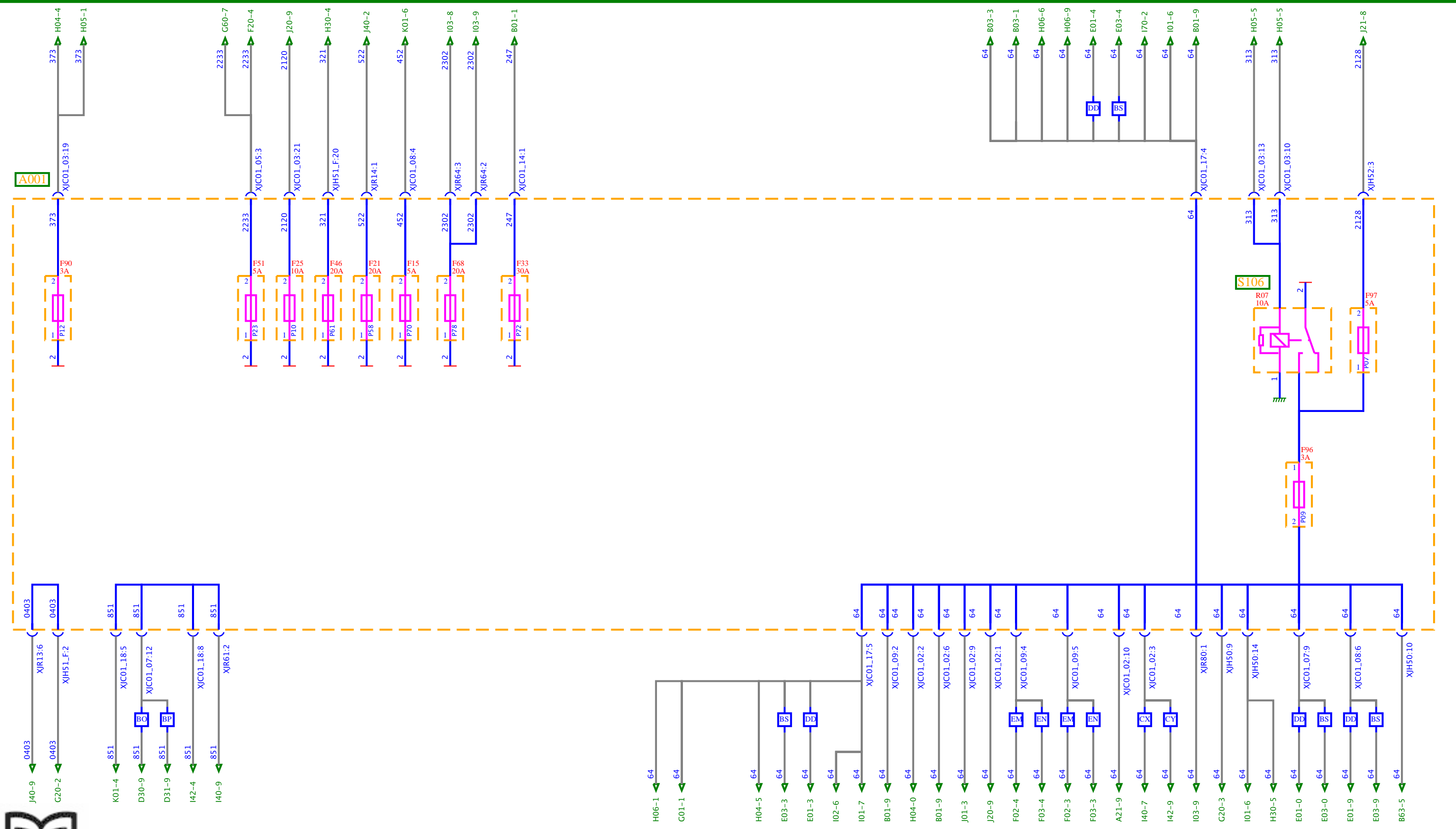
Code	Function	Location
A001	Cab electrical distribution box	B2c
S105	RH and LH side/parking and marker lights power supply relay	B2c
S107	RH and LH side/parking and marker lights power supply relay (trailer and bodybuilder)	B2c
W500	Diode(s)	B2c

BS: 4x2 vehicles

DD: 6x2 vehicles

Electrical distribution (5/6)





Electrical distribution (6/6)

Key to appliances

Code	Function	Location
A001	Cab electrical distribution box	B2c
S106	Switches night lighting power supply relay	B2c

BO: with **ECOSPLIT 2** hydraulic retarder

BP: with **ECOSPLIT 4** hydraulic retarder

BS: **4x2** vehicles

DD: **6x2** vehicles

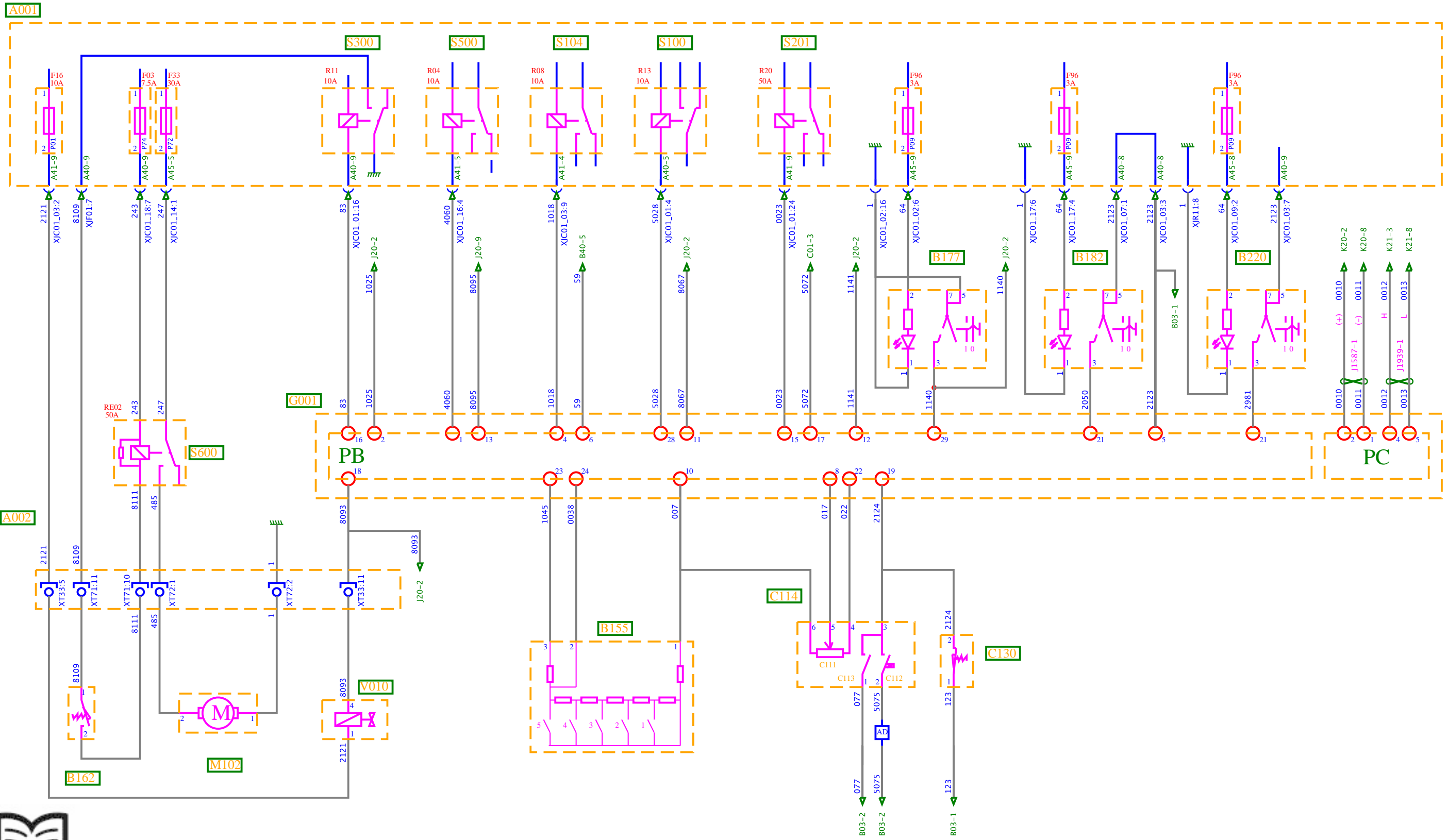
CX: Without air / air independent heating

CY: Without air / water independent heating

EM: with **4x2 - 6x2** vehicle rear electronic air suspension

EN: with **4x2 - 6x2** vehicle integral electronic air suspension

Electrical distribution (6/6)



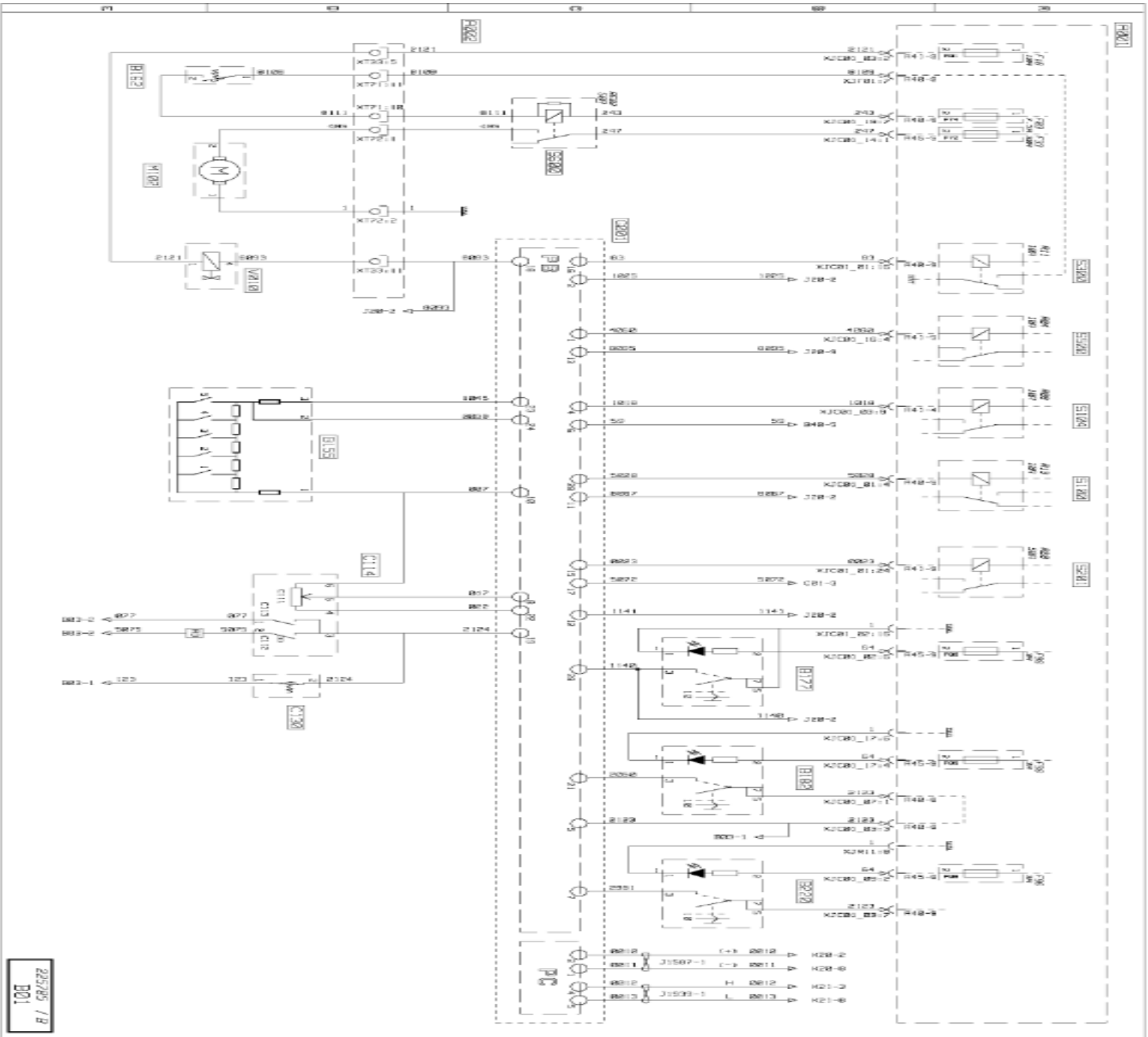
Vehicle electronic management (1/2)

Key to appliances

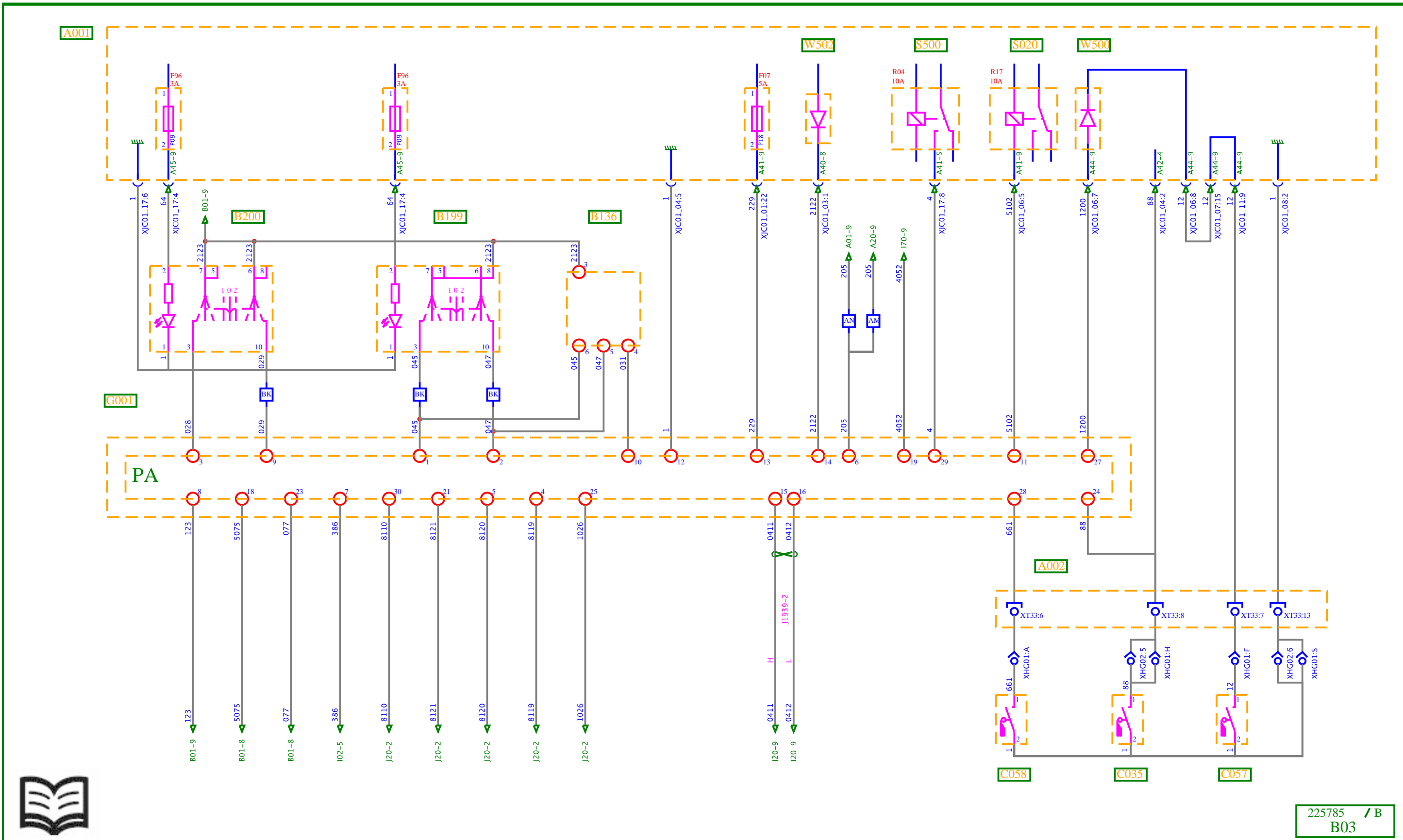
Code	Function	Location
A001	Cab electrical distribution box	B2c
A002	Chassis-cab connection box	B2c
B155	Electric or hydraulic retarder control	C2c
B162	Cab tilting control	A4d
B177	PTO 1 engagement request control (in cab)	C2b
B182	Auto/manual selection control	C2b
B220	Optiroll control	B2c
C111	Accelerator pedal position sensor	C1c
C112	Accelerator pedal "rest" position sensor N° 2	C1c
C113	Accelerator pedal rest position sensor	C1c
C114	Accelerator pedal sensor unit	C1c
C130	Clutch pedal position sensor	C1c
G001	Vehicle management ECU	B2b
M102	Cab tilting motor	A4c
S100	Stop lights power supply relay	B2c
S104	Reversing lights power supply relay	B2c
S201	Vehicle and engine ECUs power supply relay	B2c
S300	Cab tilting safety and authorization relay	B2c
S500	Heated and swivelling rearview mirror power supply relay	B2c
S600	Cab tilting motor power supply relay	B2b
V010	PTO engagement electrovalve N° 1	B4d

AD: with automatic gearbox

Vehicle electronic management (1/2)



225285 / B
B01



Vehicle electronic management (2/2)

Key to appliances

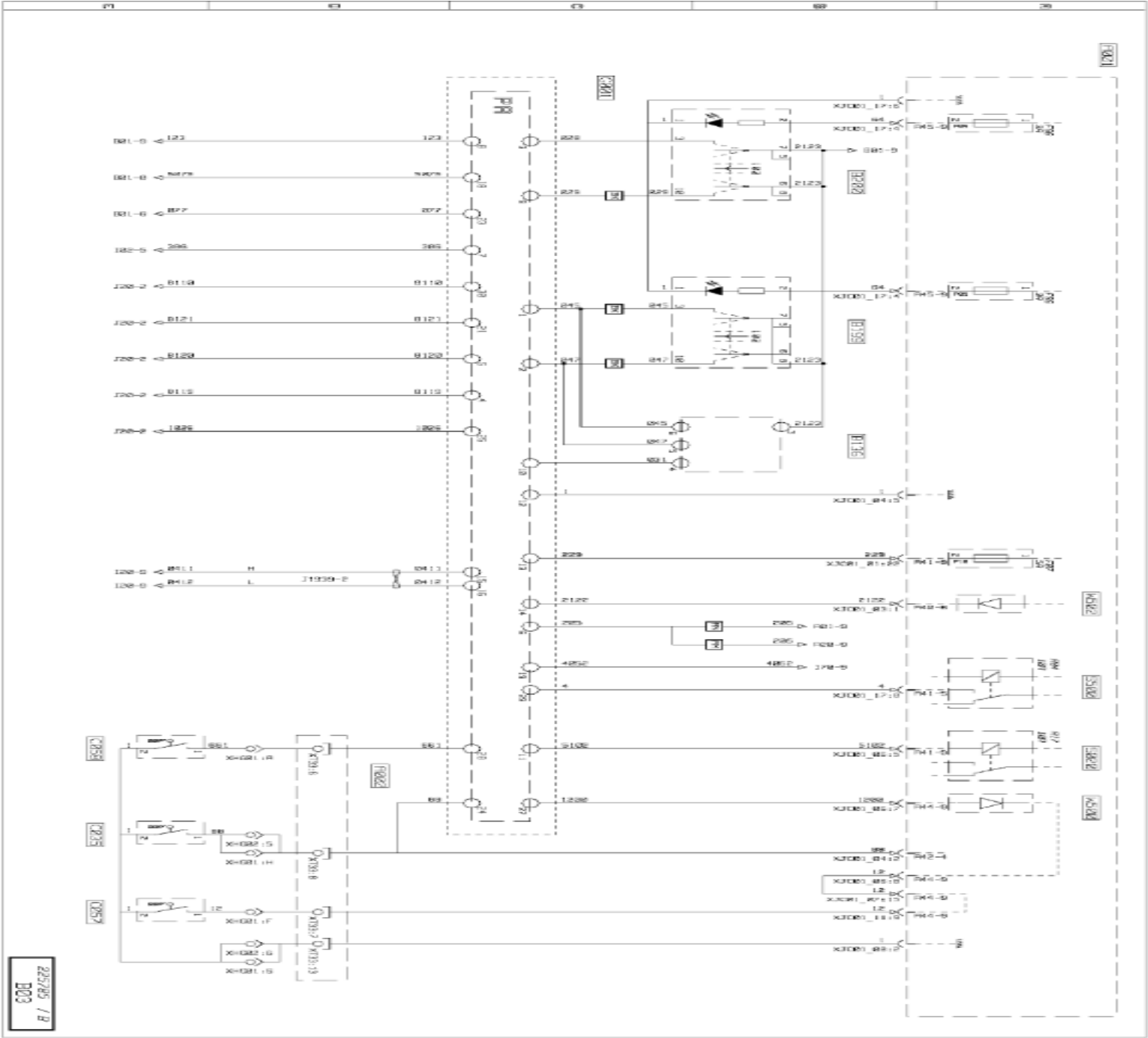
Code	Function	Location
A001	Cab electrical distribution box	B2c
A002	Chassis-cab connection box	B2c
B136	Cruise control and engine speed regulator adjustment control	C2c
B199	Fast idling adjustment control	C2c
B200	Cruise control / engine speed adjustment controls	C2c
C035	PTO 1 engaged position information sensor	B4c
C057	Neutral position sensor	B4c
C058	Reverse gear engaged position sensor	B4c
G001	Vehicle management ECU	B2b
S020	Starting relay	B2c
S500	Heated and swivelling rearview mirror power supply relay	B2c
W500	Diode(s)	B2C
W502	Diode on after ignition information circuit for vehicle management box	B2c

AM: with ADR equipment

AN: without ADR equipment

BK: with engine speed regulation and steering wheel operated Cruise Control

Vehicle electronic management (2/2)



Principal information display

Key to appliances

Code	Function	Location
A001	Cab electrical distribution box	B2c
A002	Chassis-cab connection box	B2c
B125	Radio set control	C2b
C046	External temperature sensor	C2c
C051	Fuel level sensor	A5d
C054	Air filter clogging sensor	C5d
C149	Driver's seatbelt not buckled sensor	C3c
C172	Fifth wheel position sensors	B6c
D001	Principal information display	C2b
S103	Fog driving lights power supply relay	B2c
S453	Add-on heater power supply relay	B2c
W503	Diode on engine running information relay power supply circuit	B2c

AM: with ADR equipment

AN: without ADR equipment

AS: With air / air independent heating

AT: With air / water independent heating

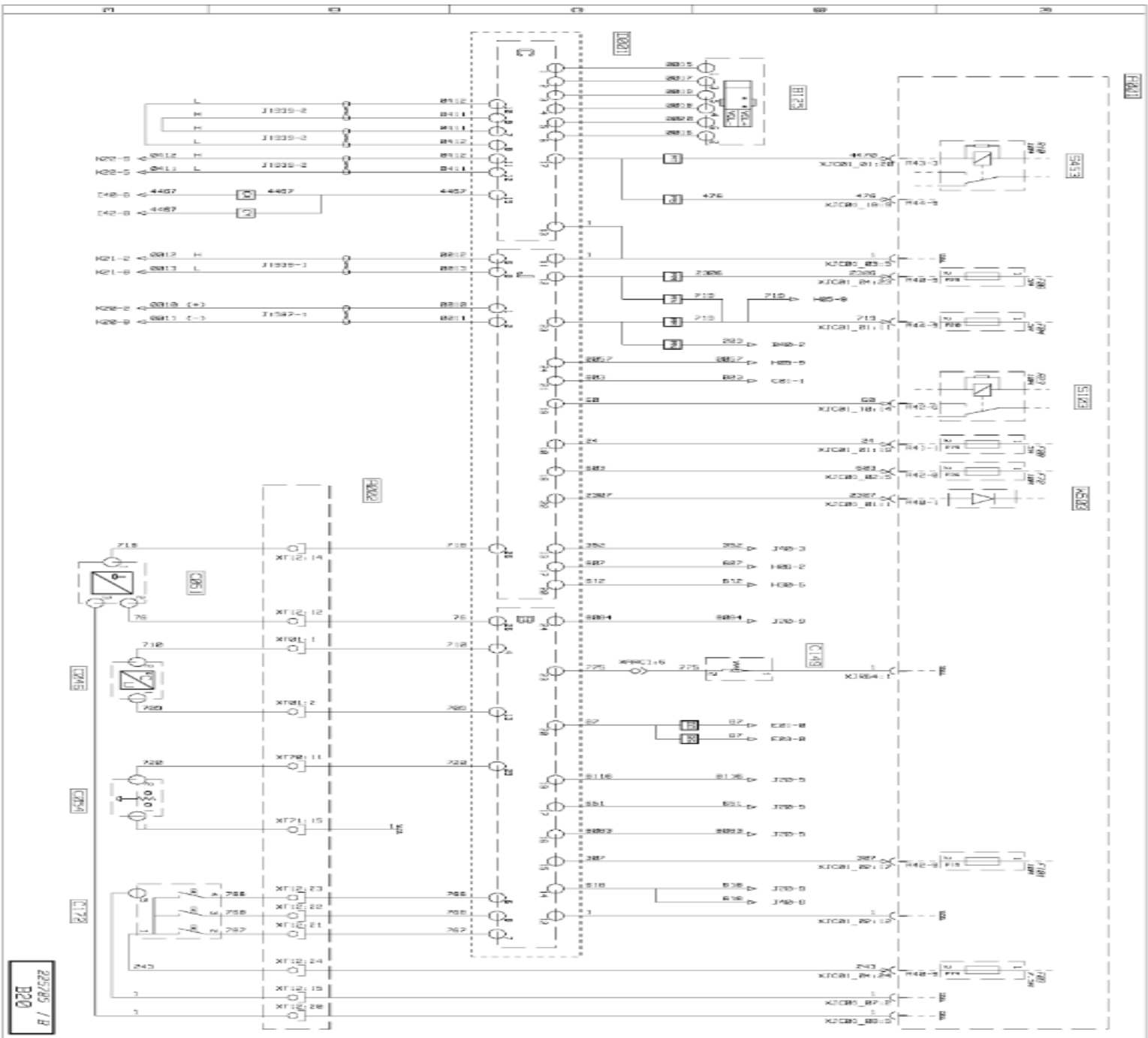
BS: 4x2 vehicles

DD: 6x2 vehicles

CX: Without air / air independent heating

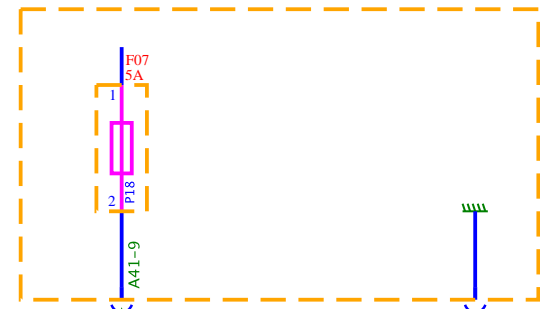
CY: Without air / water independent heating

Principal information display





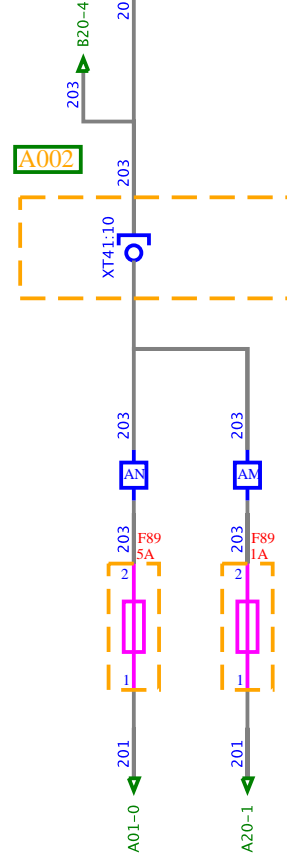
A001



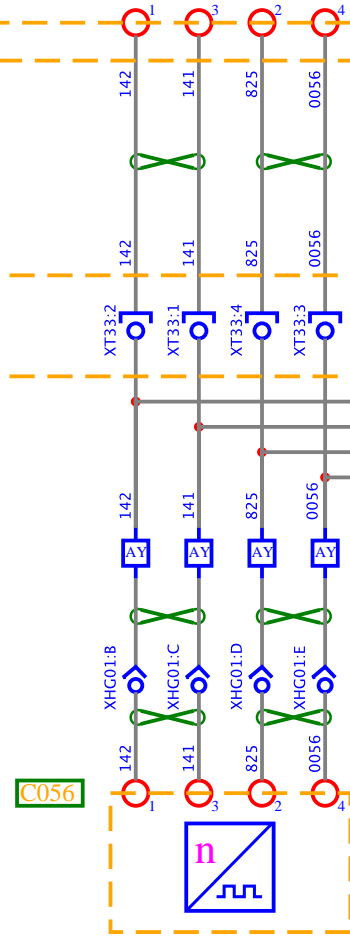
D004



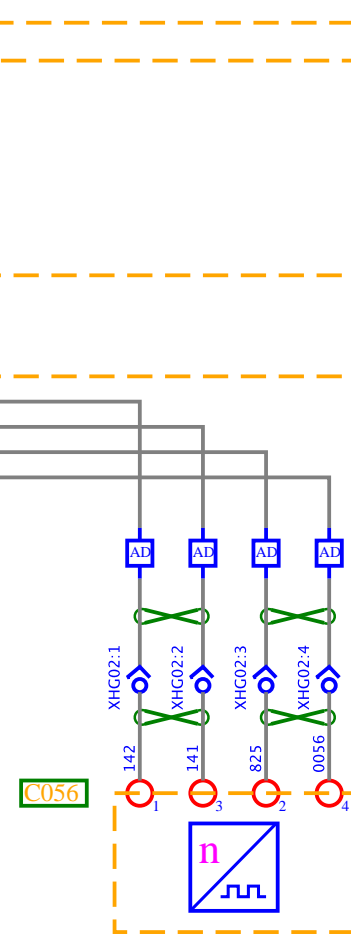
A002



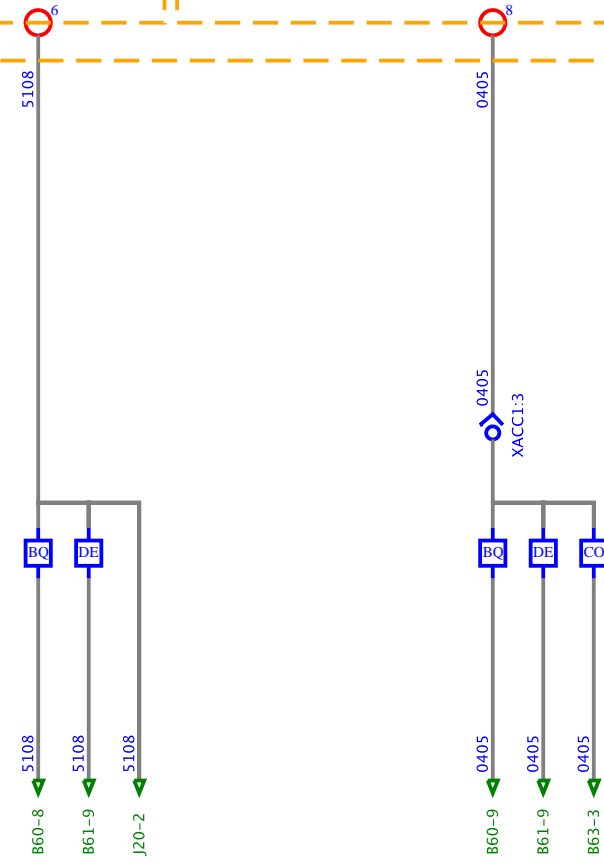
B



C056



D



Tachograph

Key to appliances

Code	Function	Location
A001	Cab electrical distribution box	B2c
A002	Chassis-cab connection box	B2c
C056	Tachograph speed sensor	B3c
D004	Tachograph	C2c

AD: with automatic gearbox

AY: with manual gearbox

AM: with ADR equipment

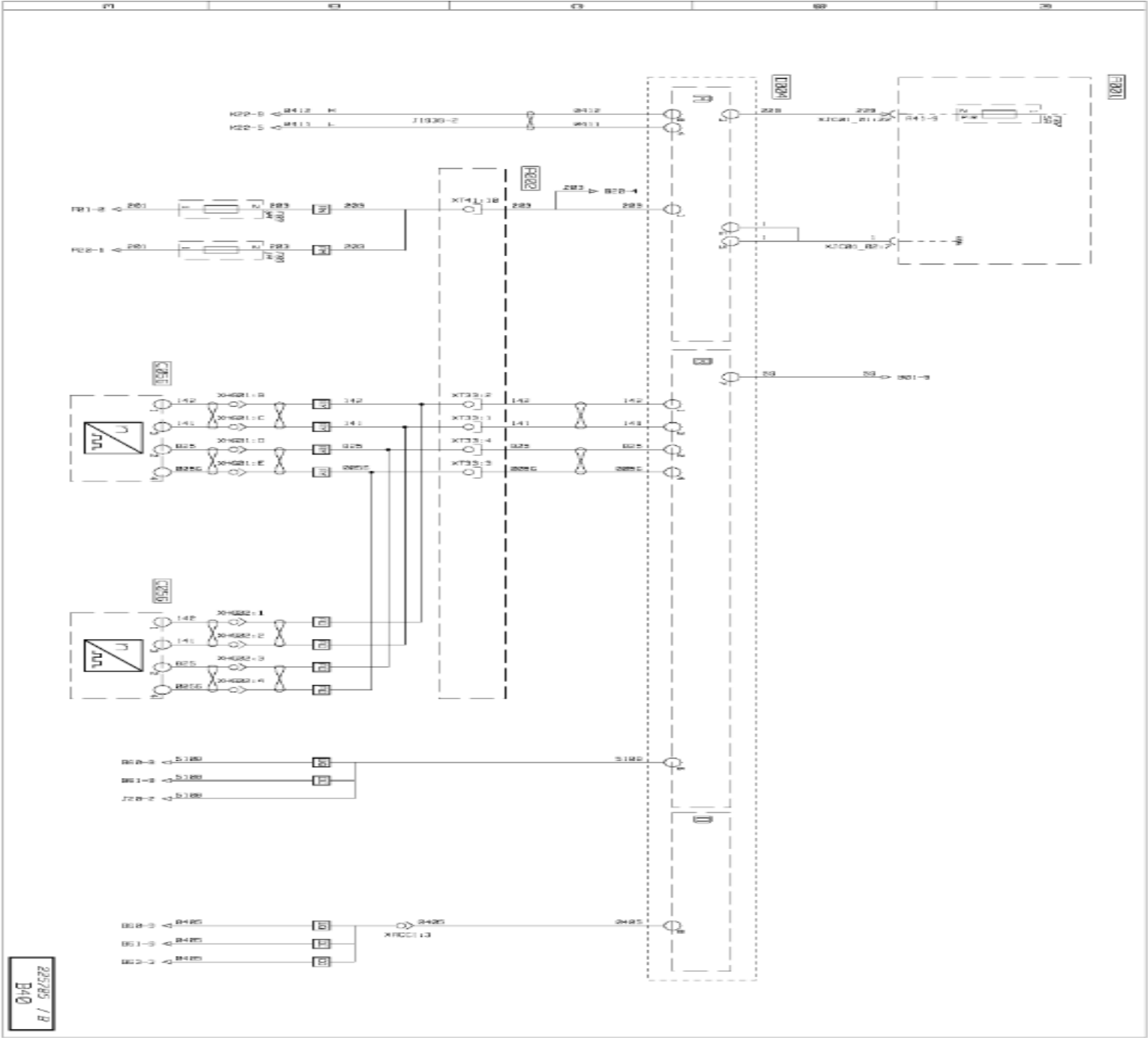
AN: without ADR equipment

BQ: with **FMS** equipment

CO: with **OPTIFLEET** equipment

DE: with **DATAMAX** equipment

Tachograph



Onboard management DATAMAX

Key to appliances

Code	Function	Location
A001	Cab electrical distribution box	B2c
G100	Datamax gateway ECU	B2c
G102	Onboard management ECU	B2c
G103	Positioning module ECU	B2c

Onboard management DATAMAX

A001

A002

S501

RE03
50A

G002

Z001

V054

V021

V023

V126

V127

V020

Z003

B

N004

C048

C150

C023

C273

C227

C132

A01-6

A20-5

K23-5

K23-9

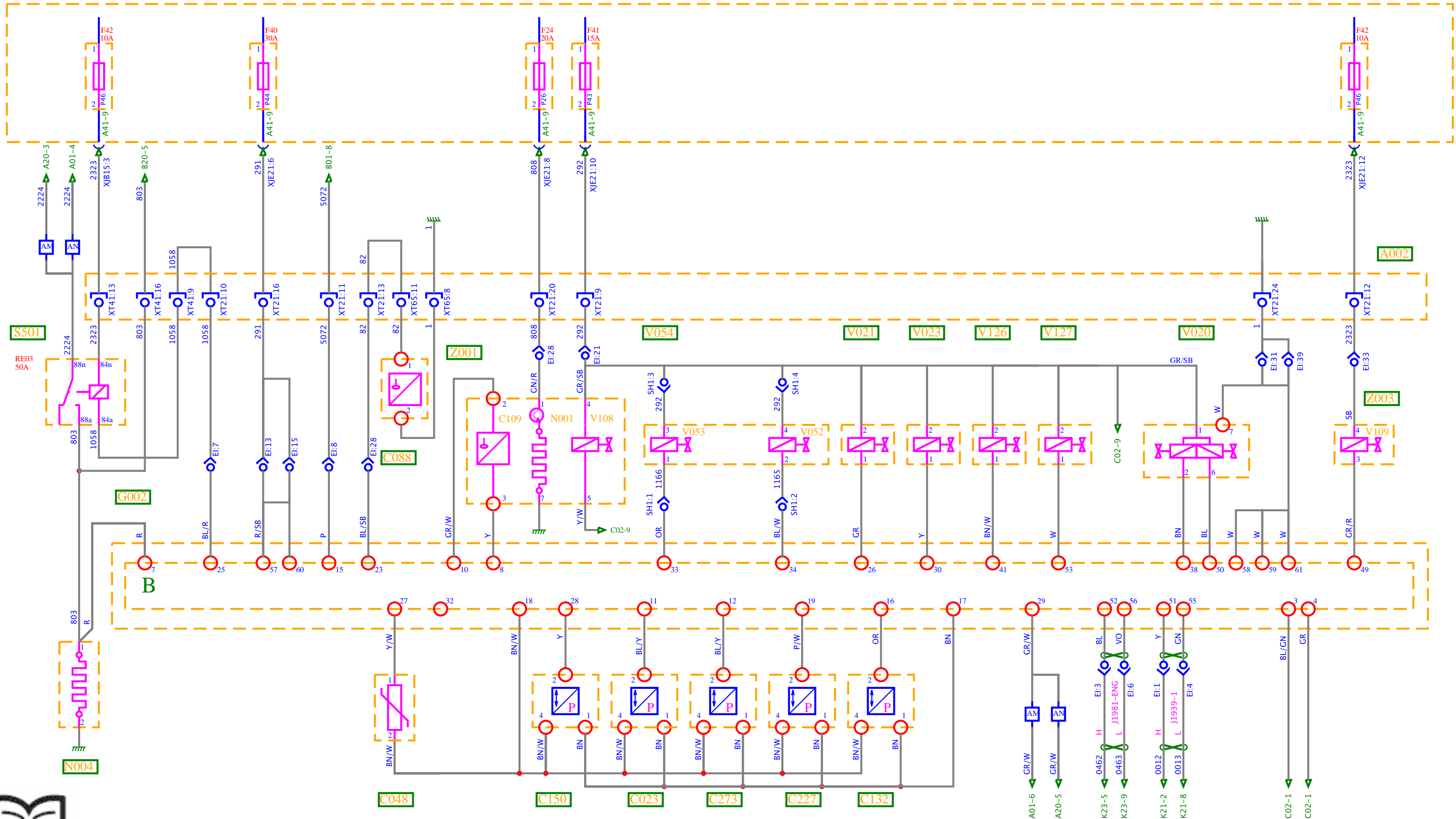
K21-2

K21-8

C02-1

C02-1

225785 / B
C01



Engine electronic management (1/2)

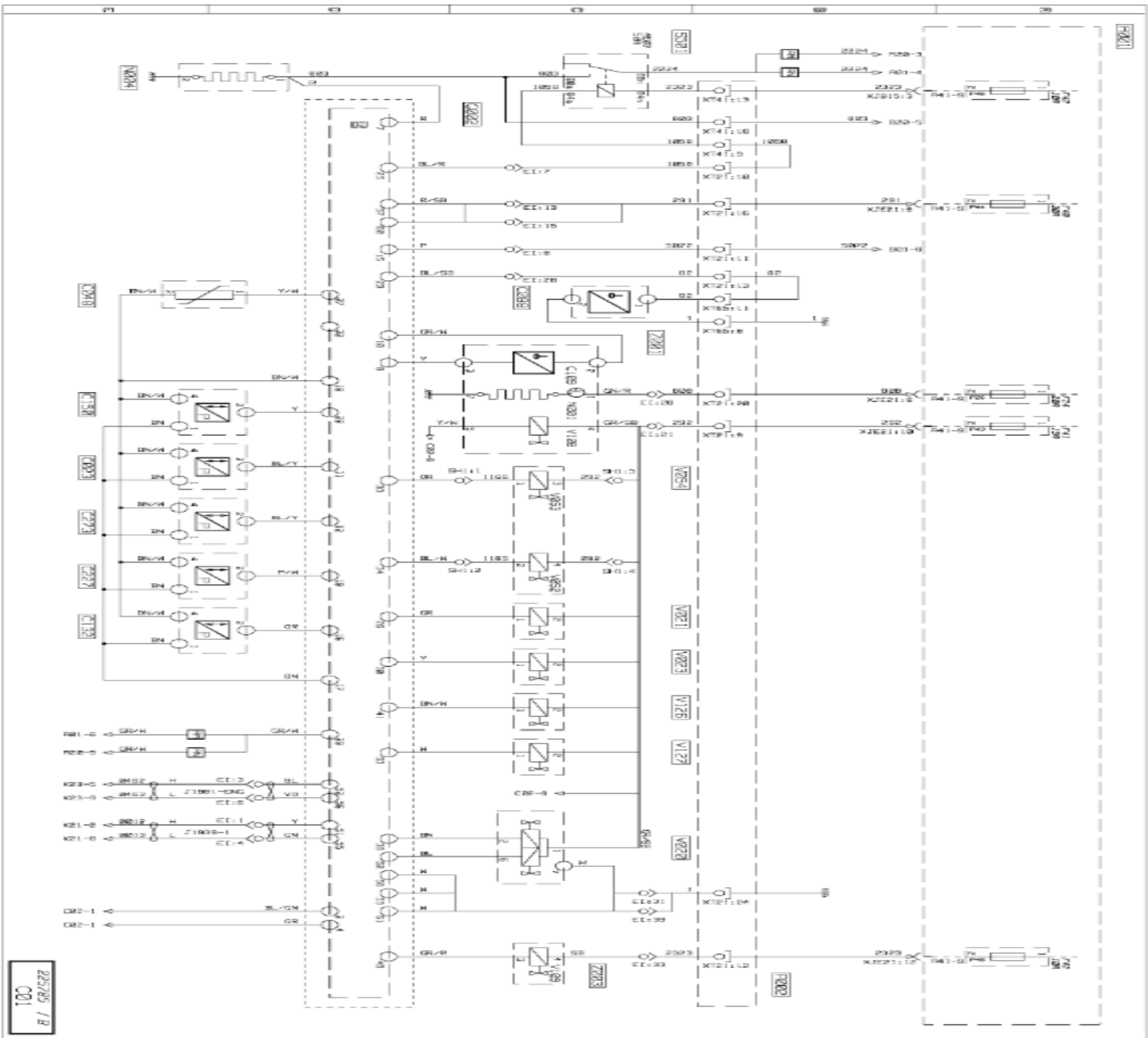
Key to appliances

Code	Function	Location
A001	Cab electrical distribution box	B2c
A002	Chassis-cab connection box	B2c
C023	Engine oil pressure sensor	B3b
C048	Engine cooling circuit temperature sensor	B3b
C088	Engine coolant level sensor	B3b
C109	Water in fuel sensor	B3b
C132	Engine boost pressure sensor	B3b
C150	Engine block inside pressure sensor	B3b
C227	Pistons cooling oil pressure sensor	B3b
C273	Exhaust backpressure sensor	B3b
G002	Engine management ECU	B3b
N001	Fuel heater resistor N° 2	B3b
N004	Air preheating resistor	B3b
S501	Air preheating relay	C4d
V020	Exhaust brake solenoid valve unit	B3b
V021	Engine brake N° 1 solenoid valve	B3c
V023	Exhaust brake solenoid valve	B3c
V052	Range change electrovalve	B4c
V053	Splitter control electrovalve	B4c
V054	Splitter and range change control unit	B4c
V108	Air dryer bleeding solenoid valve	B3b
V109	Engine cooling fan speed regulation solenoid valve	B3c
V126	Pistons cooling solenoid valve	B3b
V127	Engine oil cooling solenoid valve	B3b
Z001	Fuel heating unit	B3b
Z003	Fan speed regulator unit	B3c

AM: with ADR equipment

AN: without ADR equipment

Engine electronic management (1/2)



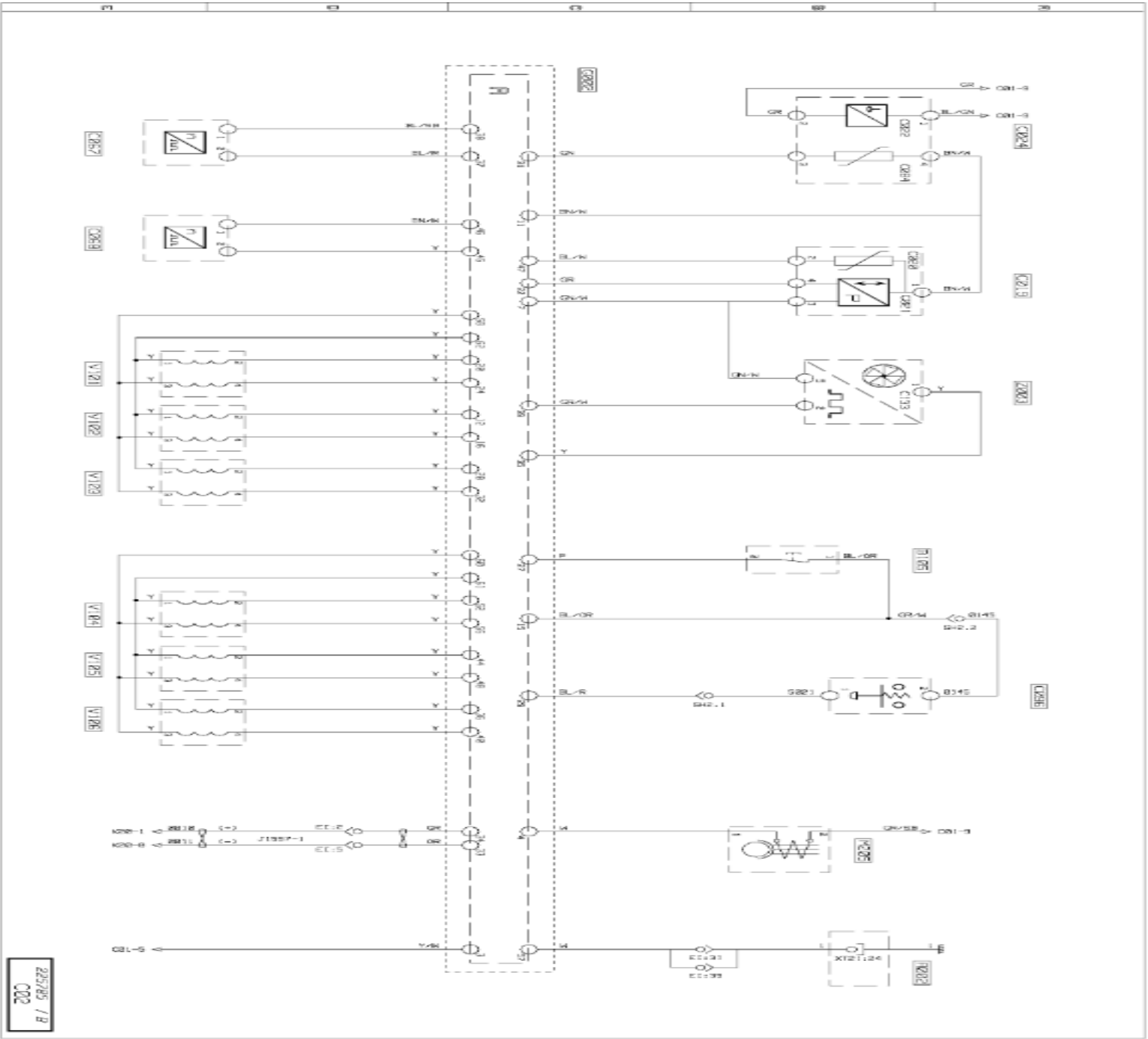
22525 / B
C01

Engine electronic management (2/2)

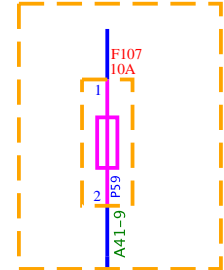
Key to appliances

Code	Function	Location
A002	Chassis-cab connection box	B2c
B105	Engine stop control	B3c
C019	Boost air pressure and temperature sensor	B3c
C020	Boost air temperature sensor	B3c
C021	Boost air pressure sensor	B3c
C022	Engine oil level sensor	B3c
C024	Engine oil level and temperature sensor unit	B3c
C067	Flywheel speed sensor	B2c
C068	Camshaft engine speed sensor	B3c
C084	Engine oil temperature sensor	B3c
C096	Range change selector pressure sensor	B4d
C133	Engine cooling fan speed sensor	B3c
G002	Engine management ECU	B3b
M205	Water pump electromagnetic clutch	B3c
V101	Cylinder injector solenoid valve N° 1	B3c
V102	Cylinder injector solenoid valve N° 2	B3c
V103	Cylinder injector solenoid valve N° 3	B3c
V104	Cylinder injector solenoid valve N° 4	B3c
V105	Cylinder injector solenoid valve N° 5	B3c
V106	Cylinder injector solenoid valve N° 6	B3c
Z003	Fan speed regulator unit	B3c

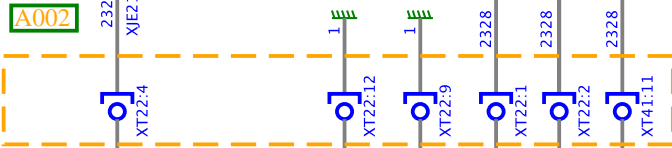
Engine electronic management (2/2)



A001



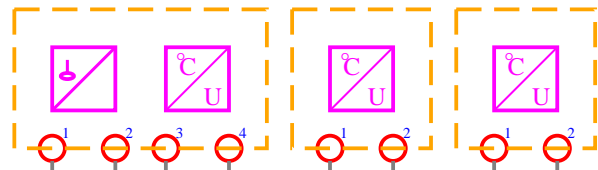
A002



C075

C076

C078



V056

N015

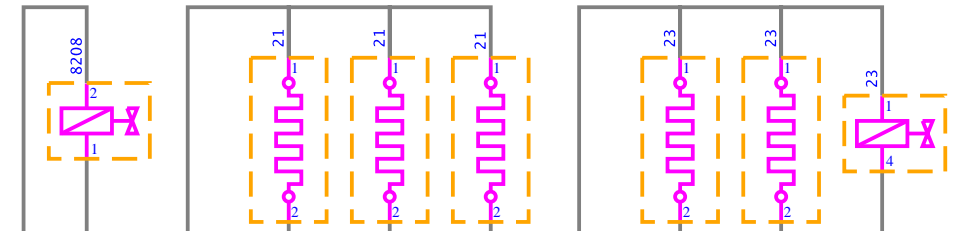
N017

N019

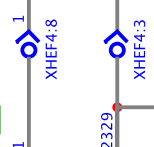
N016

N018

V055



C077



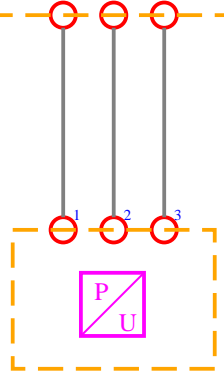
Z021



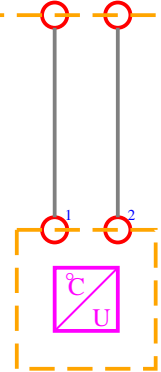
G030



C264



C263



V141



Urea inflow management

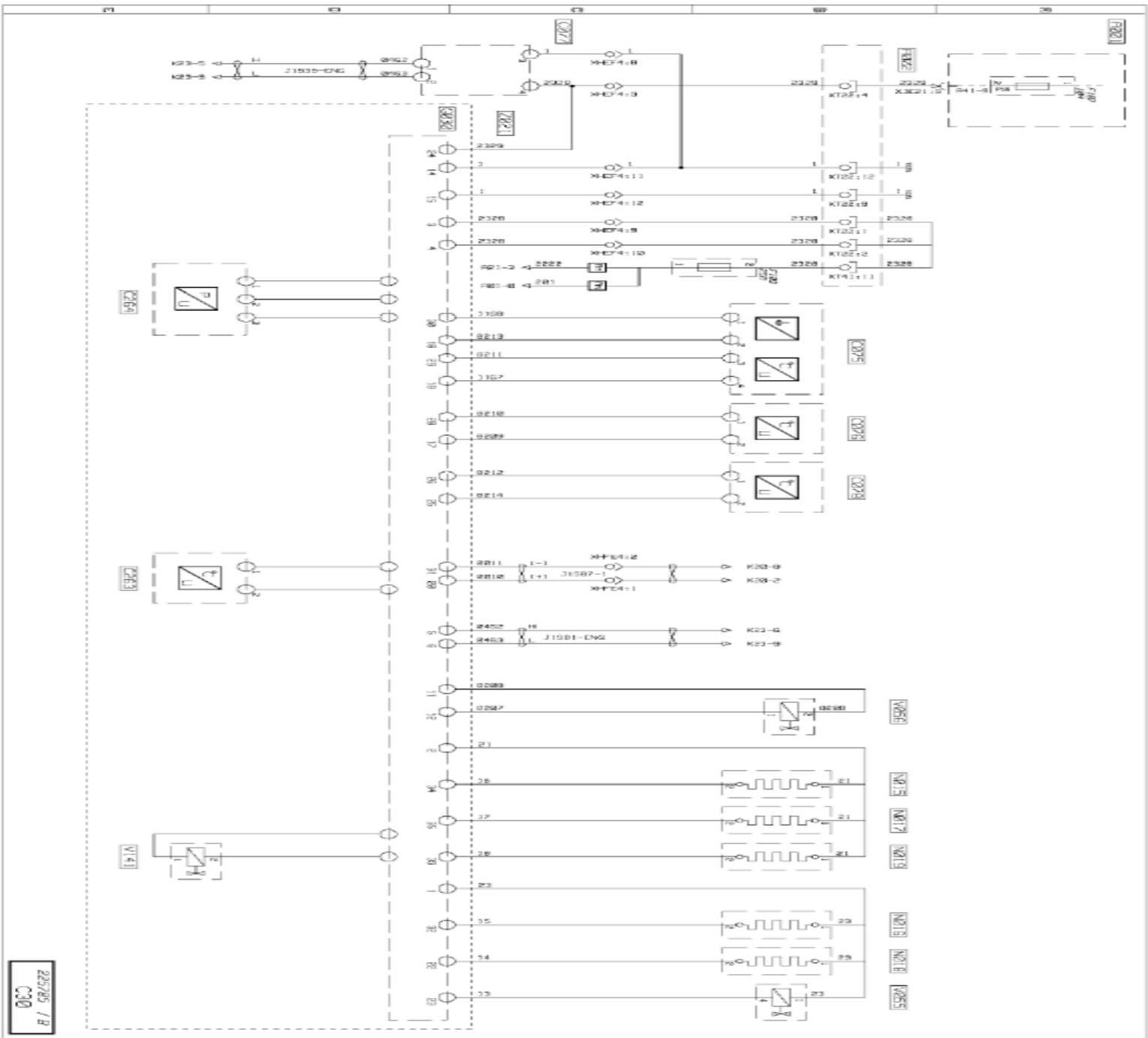
Key to appliances

Code	Function	Location
A001	Cab electrical distribution box	B2c
A002	Chassis-cab connection box	B2c
C075	AdBlue tank temperature and level sensors	A4d
C076	Exhaust gases temperature sensor	C4d
C077	Nitrogen oxides gases concentration sensor	C4d
C078	Exhaust gases after catalytic converter temperature sensor	C4d
C263	AdBlue internal temperature sensor	C4d
C264	AdBlue internal pressure sensor	C4d
G030	AdBlue supply management pump module	C4d
N015	AdBlue heating resistor (in tank to pump module circuit)	A4d
N016	AdBlue heating resistor (in pump module to tank circuit)	A4d
N017	AdBlue heating resistor (in pump module to metering solenoid valve circuit)	A4d
N018	AdBlue heating resistor (in metering solenoid valve to pump module circuit)	A4d
N019	AdBlue heating resistor (in filter on pump)	A4d
V055	Engine water circuit by-pass solenoid valve	C4d
V056	AdBlue supply metering solenoid valve	C4d
V141	AdBlue cooling electrovalve	C4d
Z021	Adblue pump module assembly	C4d

AM: with ADR equipment

AN: without ADR equipment

Urea inflow management



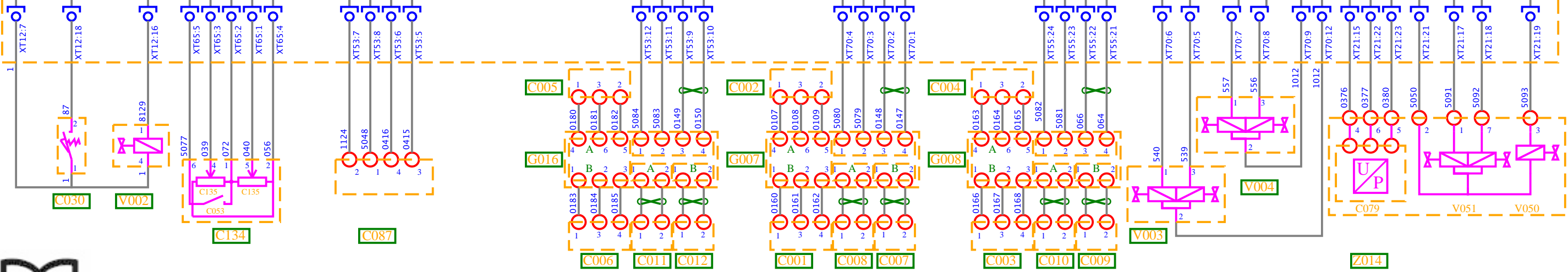
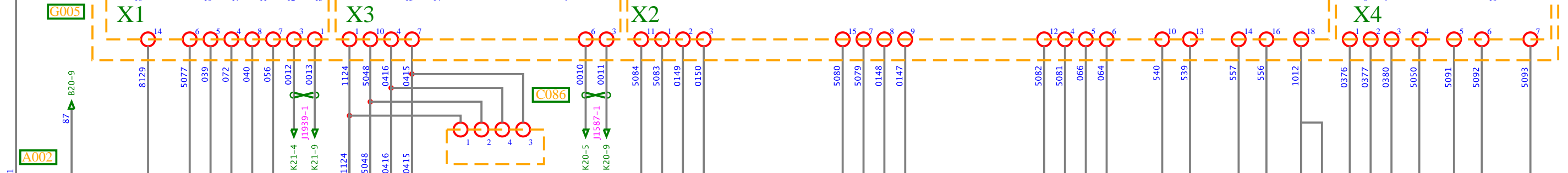
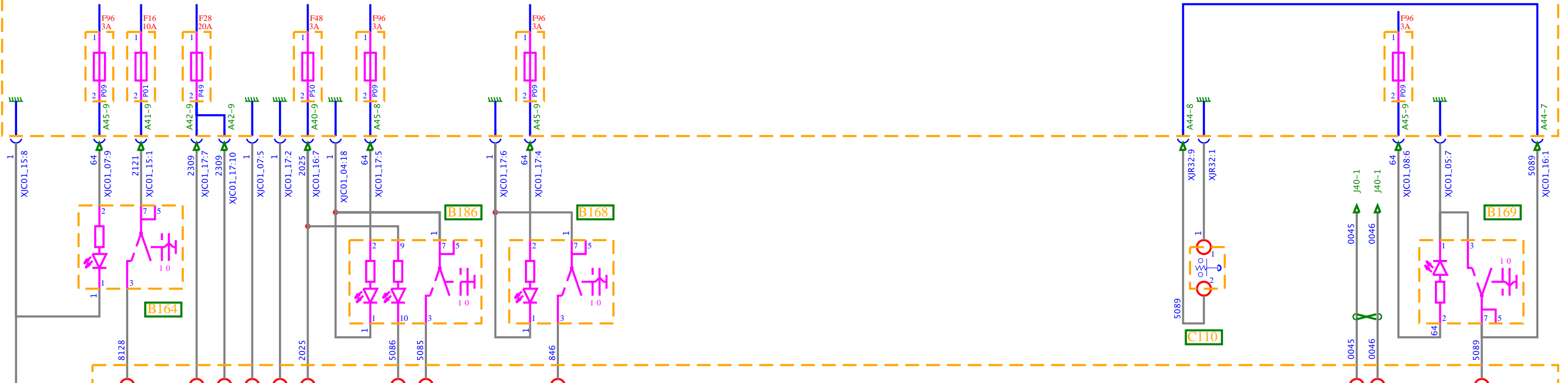
Automatic gearbox

Key to appliances

Code	Function	Location
A001	Cab electrical distribution box	B2c
A002	Chassis-cab connection box	B2c
B026	Automatic transmission gear selector	B2b
C059	Retarder oil temperature sensor	B4d
C062	Clutch position sensor	B4d
C064	Retarder air pressure sensor	B4d
C066	Retarder coolant temperature sensor	B4d
G019	Gear selector ECU	B2b
G020	Automatic transmission ECU	B2b
S200	Automatic transmission management ECU power supply relay	B2b
V010	PTO engagement electrovalve N° 1	B4d
V011	High speed disengagement solenoid valve	B4d
V012	High speed engagement solenoid valve	B4d
V013	Low speed engagement solenoid valve	B4d
V014	Low speed disengagement solenoid valve	B4d
V015	Retarder proportional electrovalve	B4d
V018	PTO engagement electrovalve N° 2	B4d
Z004	Retarder unit	B4d
Z005	Automatic transmission unit	B4d

Automatic gearbox

A001



EBS 6X2

225785 / B
E01

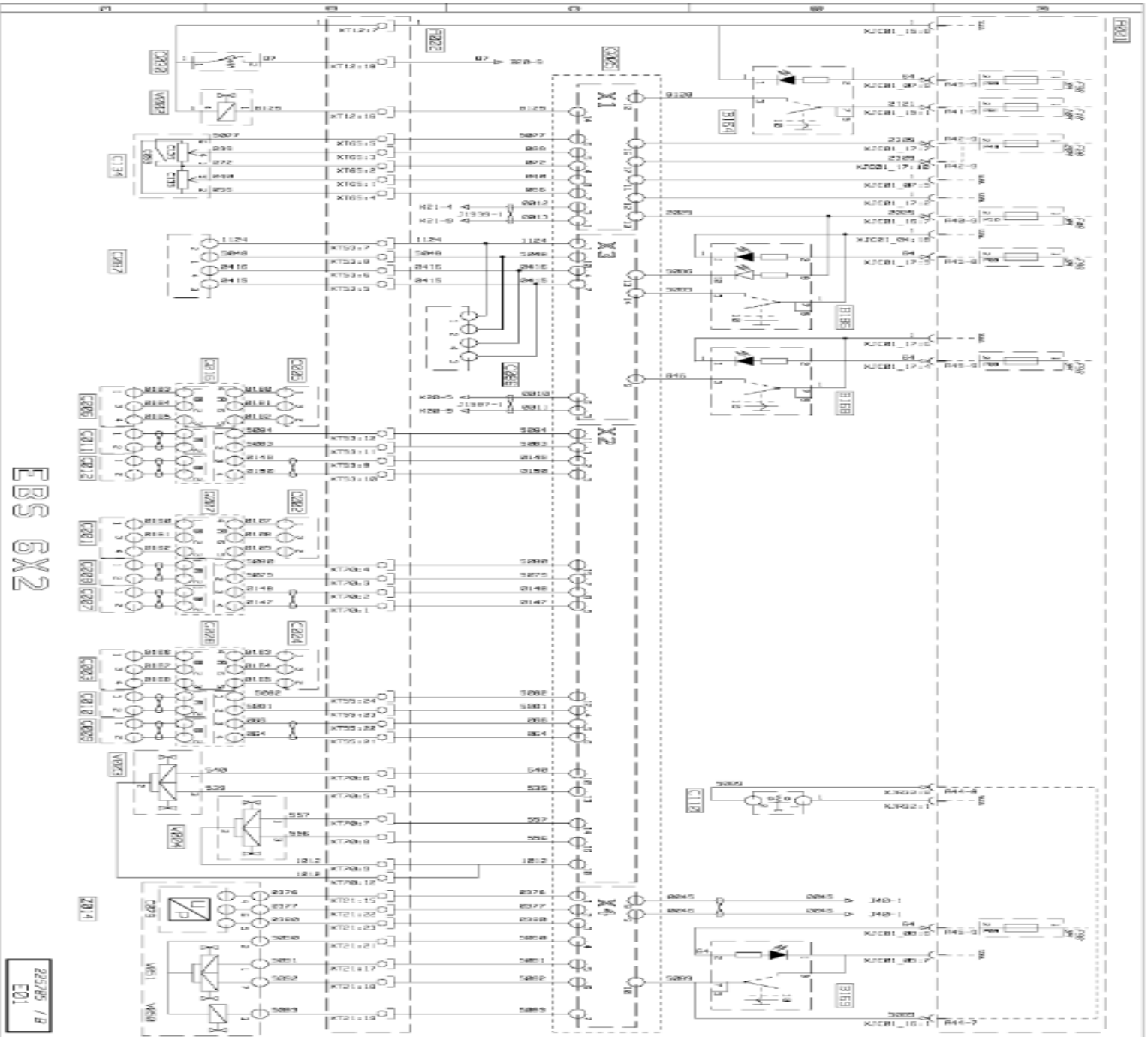
EBS 6x2 equipment

Key to appliances

Code	Function	Location
A001	Cab electrical distribution box	B2c
A002	Chassis-cab connection box	B2c
B164	Rear wheels diff lock control	C2b
B168	Traction control enabling control	C2c
B169	Trailer brake holding enabling control	C2c
B186	Brake holding enabling control	C2c
C001	LH front wheel brake linings wear sensor	C3d
C002	RH front wheel brake linings wear sensor	A3d
C003	LH rear wheel brake linings wear sensor	C7d
C004	RH rear wheel brake linings wear sensor	A7d
C005	Lift-up axle or second rear axle LH wheel brake linings wear sensor	C8d
C006	Lift-up axle or second rear axle RH wheel brake linings wear sensor	A8d
C007	LH front wheel speed sensor	C3d
C008	RH front wheel speed sensor	A3d
C009	LH rear wheel speed sensor	C7d
C010	RH rear wheel speed sensor	A7d
C011	Lift-up axle or second rear axle LH wheel speed sensor	C8d
C012	Lift-up axle or second rear axle RH wheel speed sensor	A8d
C030	Rear inter-axle diff lock engaged sensor	B7d
C053	Stop lights switch	C2c
C079	Trailer braking assistance pressure system sensor	B7d
C086	Steering lockover angle sensor	C2c
C087	Chassis lateral acceleration sensor	B6d
C110	Parking brake indicator pressure sensor	B6d
C134	Brake pedal sensor unit	C2c
C135	Brake pedal position copying sensor	C2c
G005	EBS braking management ECU	B2b
G007	Front axle braking assistance modulator unit	B3d
G008	Drive axle braking assistance modulator unit	B7d
G016	Second rear axle braking assistance modulator unit	B7d
V002	Rear wheels diff lock electrovalve	B7d

V003	LH roadwheel ABS electrovalve	C3d
V004	Front RH wheel ABS solenoid valve	A3d
V050	Braking auxiliary electrovalve	B7d
V051	Trailer braking inlet/exhaust electrovalve	B7d
Z014	Trailer brake control EBS modulator unit	B7d

EBS 6x2 equipment



EBS 6X2

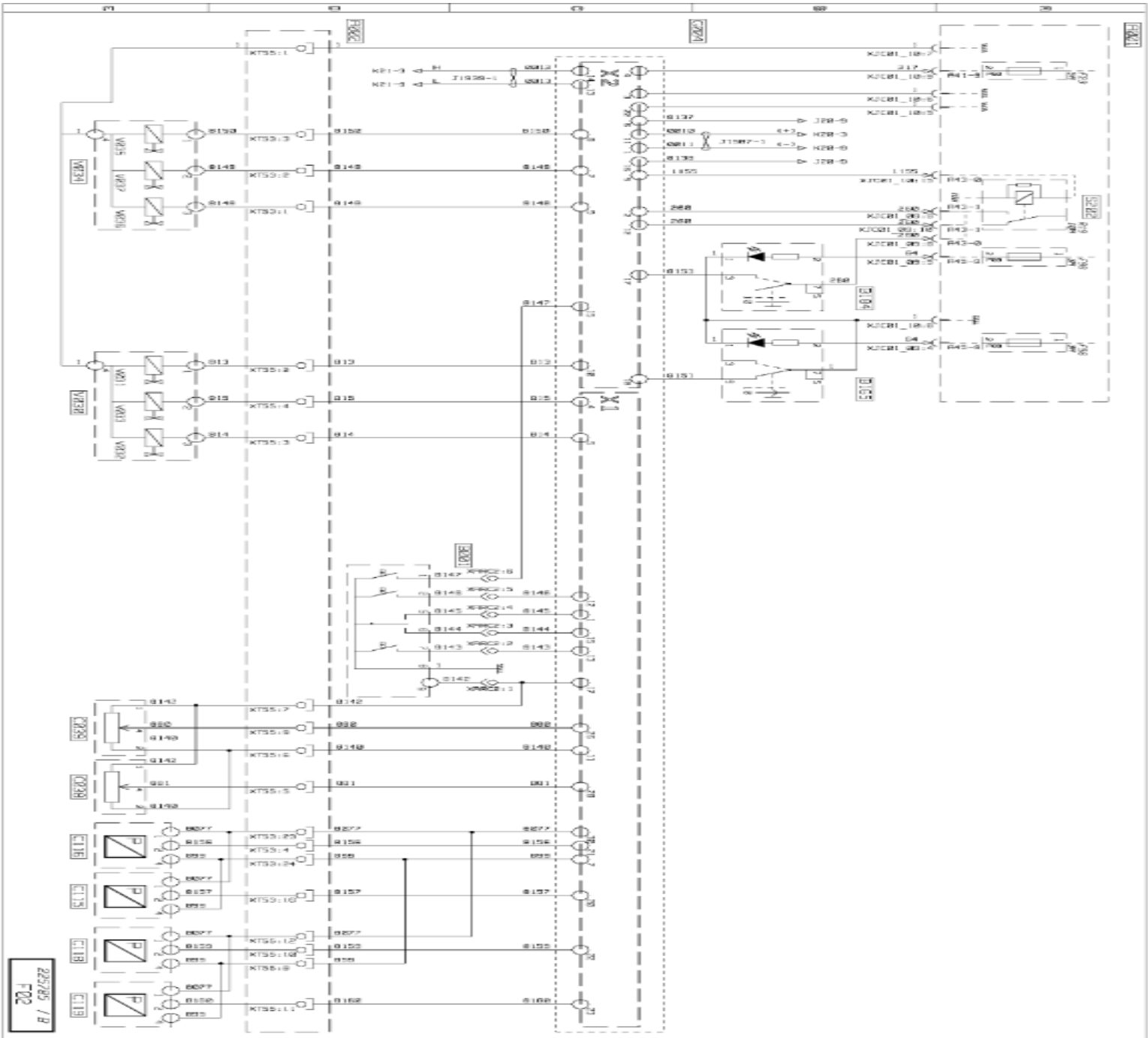
225285 / B
E01

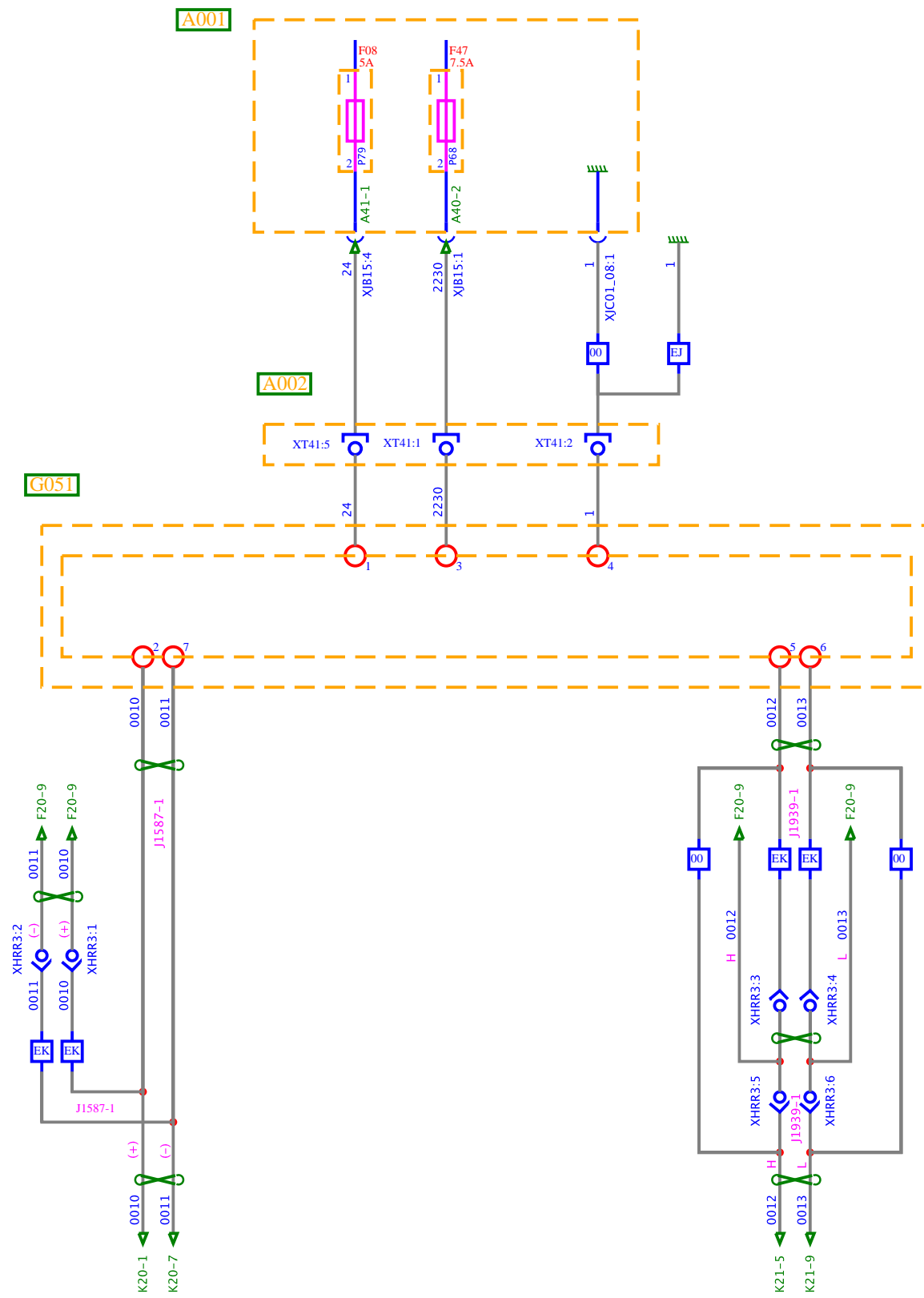
Rear air suspension - 4x2 / 6x2 (2 sensors)

Key to appliances

Code	Function	Location
A001	Cab electrical distribution box	B2c
A002	Chassis-cab connection box	B2c
B001	Air suspension remote control	C4c
B165	Second rear axle lift-up control	B2b
B184	Axle load-shedding activation control	B2b
C038	Drive axle suspension RH position sensor	A7d
C039	Drive axle suspension LH position sensor	C7d
C115	Lift-up air spring pressure sensor	A8d
C116	Middle axle suspension air pressure sensor	A8d
C118	Drive axle suspension LH pressure sensor	C7d
C119	Drive axle suspension RH pressure sensor	A7d
G004	Air suspension ECU	B2b
S202	Air suspension power supply relay	B2c
V030	Drive axle suspension control solenoid valve unit	B7d
V031	Drive axle rear suspension main electrovalve	B7d
V032	Drive axle rear suspension (RH side) electrovalve	B7d
V033	Drive axle rear suspension (LH side) electrovalve	B7d
V034	Rear axle suspension control solenoid valve unit	B7d
V035	Rear axle suspension main electrovalve	B7d
V036	Rear axle suspension electrovalve	B7d
V037	Lift-up air spring control electrovalve	B7d

Rear air suspension - 4x2 / 6x2 (2 sensors)





Air production management

Key to appliances

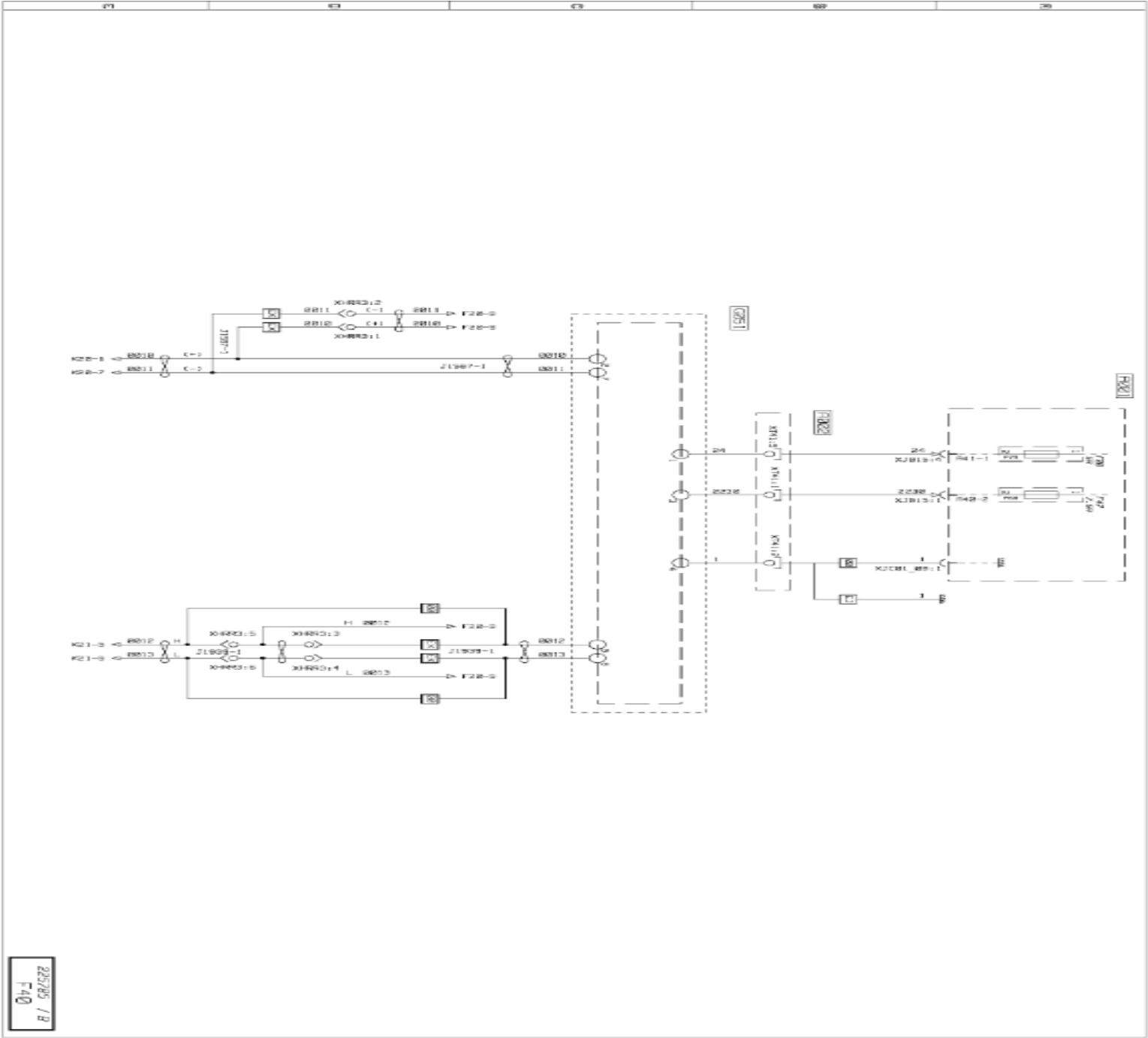
Code	Function	Location
A001	Cab electrical distribution box	B2c
A002	Chassis-cab connection box	B2c
G051	Air production management ECU	C4d

EJ: with battery box on the right

EK: with rear steering axle

00: other cases of use

Air production management



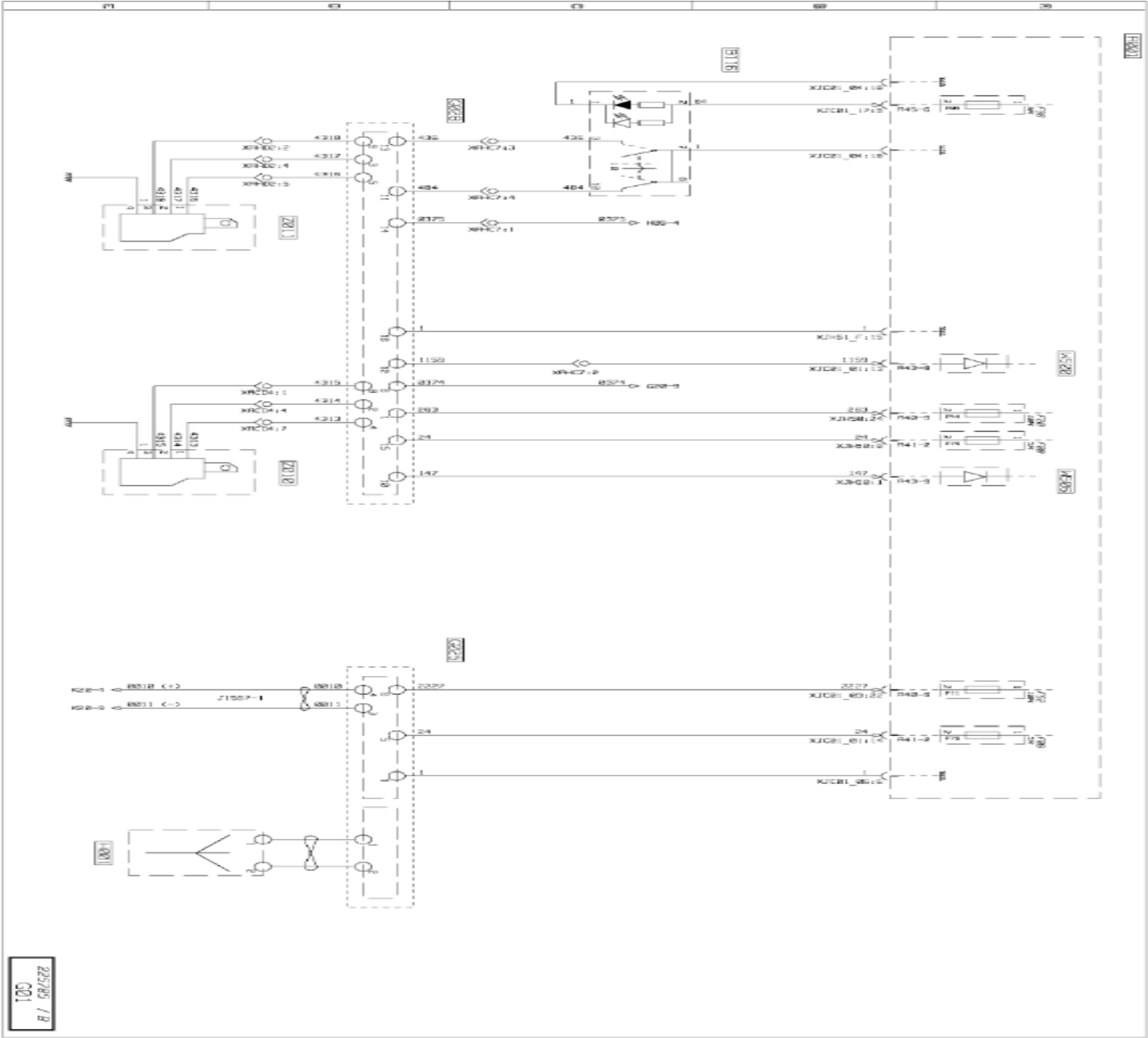
22525 / B
F40

Doors / engine immobilizer controls

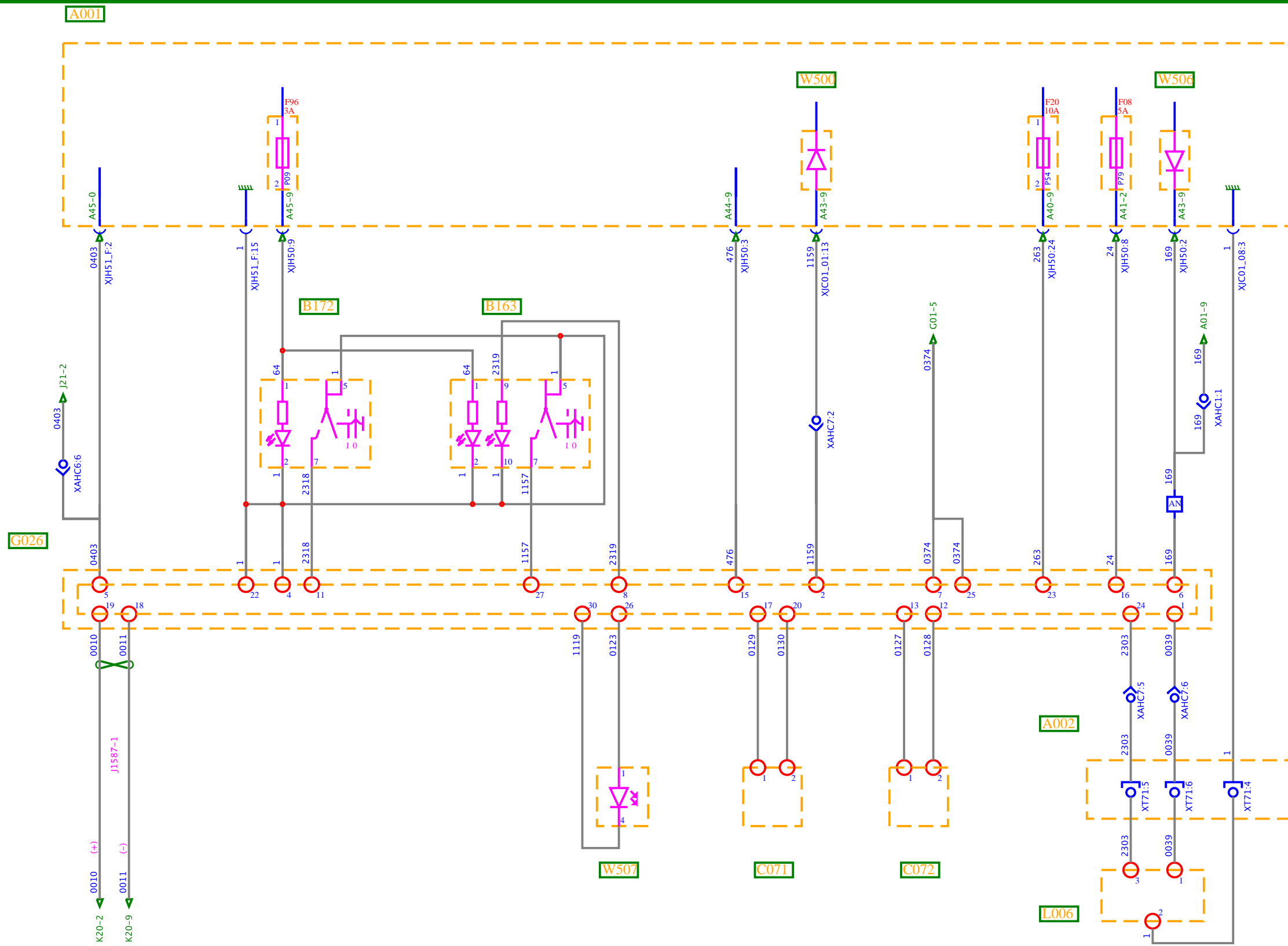
Key to appliances

Code	Function	Location
A001	Cab electrical distribution box	B2c
B116	Doors locking control	B2b
G025	Engine immobilizer ECU	C2c
G028	Doors central locking ECU	A2c
H001	Engine immobilizer antenna	C2c
W500	Diode(s)	B2c
W506	Doors central locking diode	B2c
Z010	Front passenger's door locking striker unit	A3c
Z011	Driver's door locking striker unit	C3c

Doors / engine immobilizer controls



225285 / B
 501



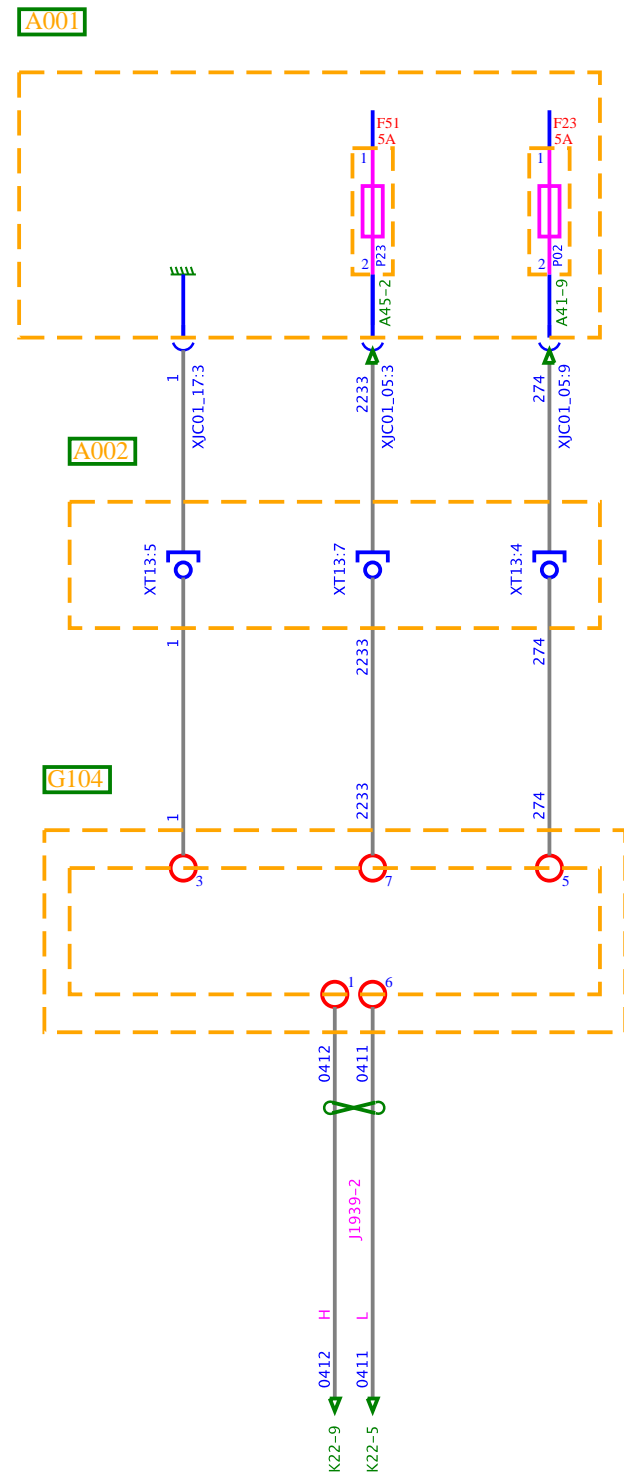
Alarm

Key to appliances

Code	Function	Location
A001	Cab electrical distribution box	B2c
A002	Chassis-cab connection box	B2c
B163	Alarm anti-panic control	B2b
B172	Alarm siren sound level reduction control	B2b
C071	Alarm ultra-sonic transmitter sensor	C2c
C072	Alarm ultra-sonic receiver sensor	A2c
G026	Alarm ECU	A2a
L006	Horn - Alarm siren	C2d
W500	Diode(s)	B2c
W506	Doors central locking diode	B2c
W507	Vehicle alarm sounding diode	B2a

AN: without ADR equipment

Alarm

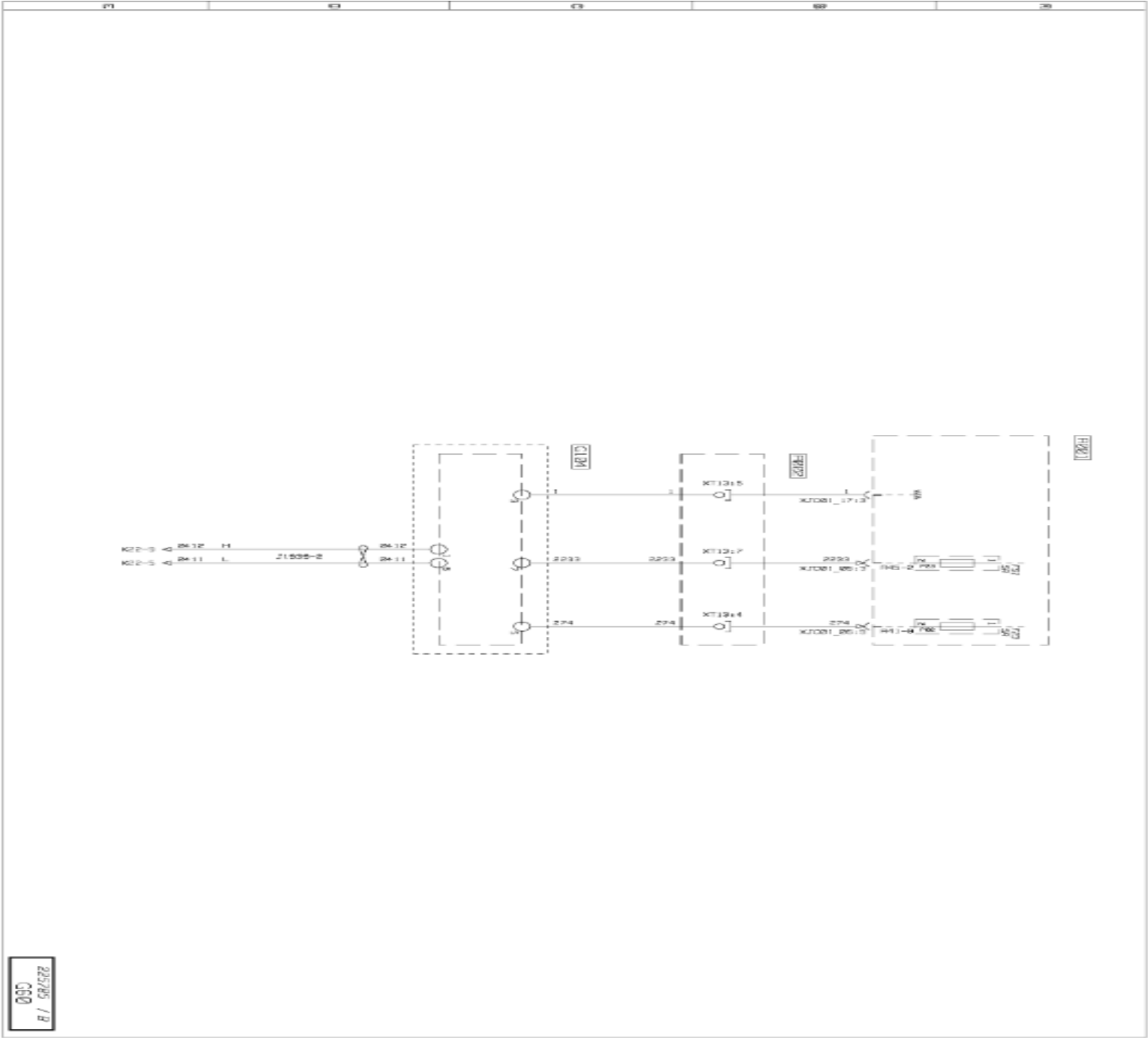


Checking tyre pressures

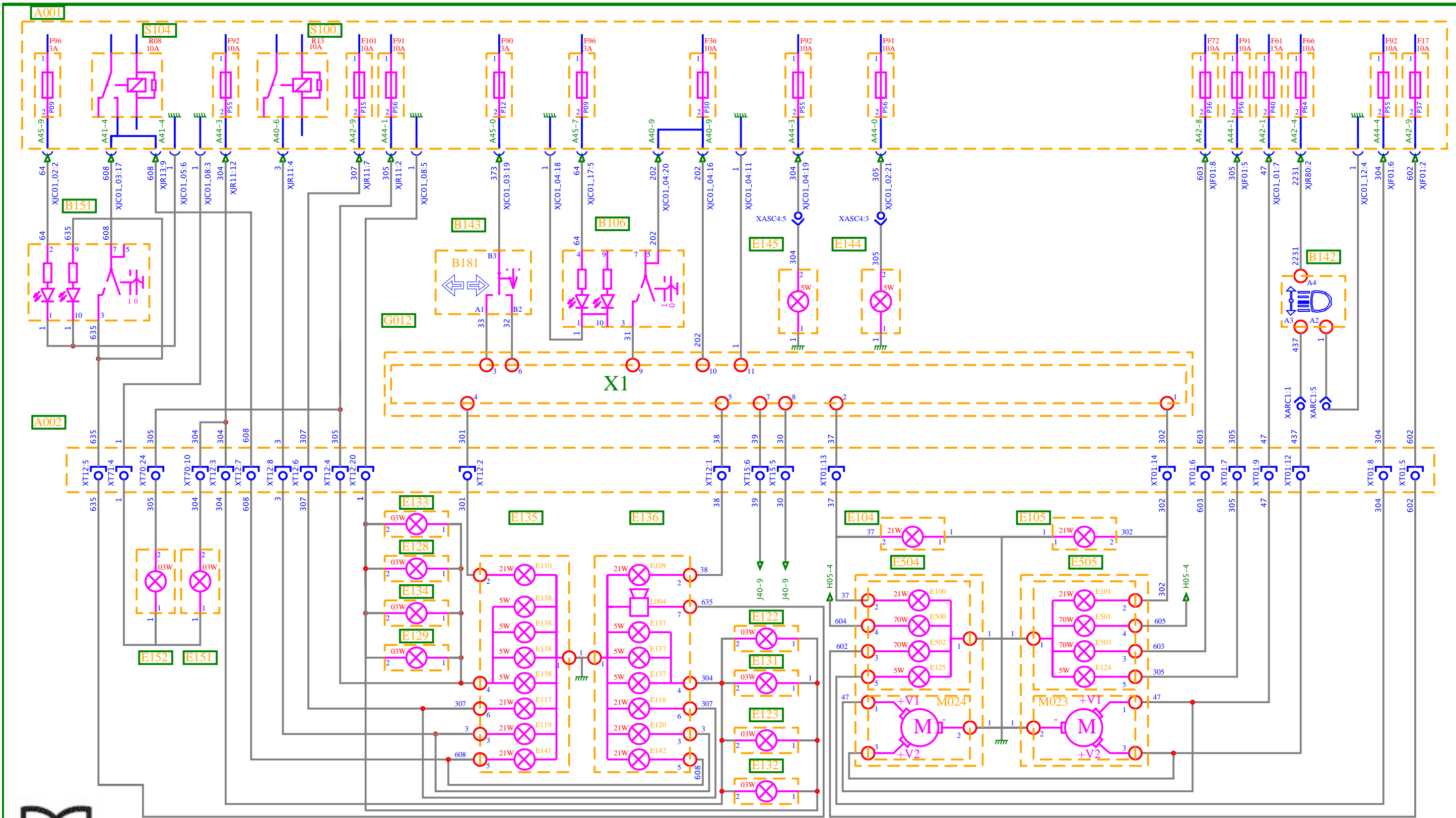
Key to appliances

Code	Function	Location
A001	Cab electrical distribution box	B2c
A002	Chassis-cab connection box	B2c
G104	Tyre pressures monitoring ECU	B7d

Checking tyre pressures



22525 / B
 350



225785 / B
H04

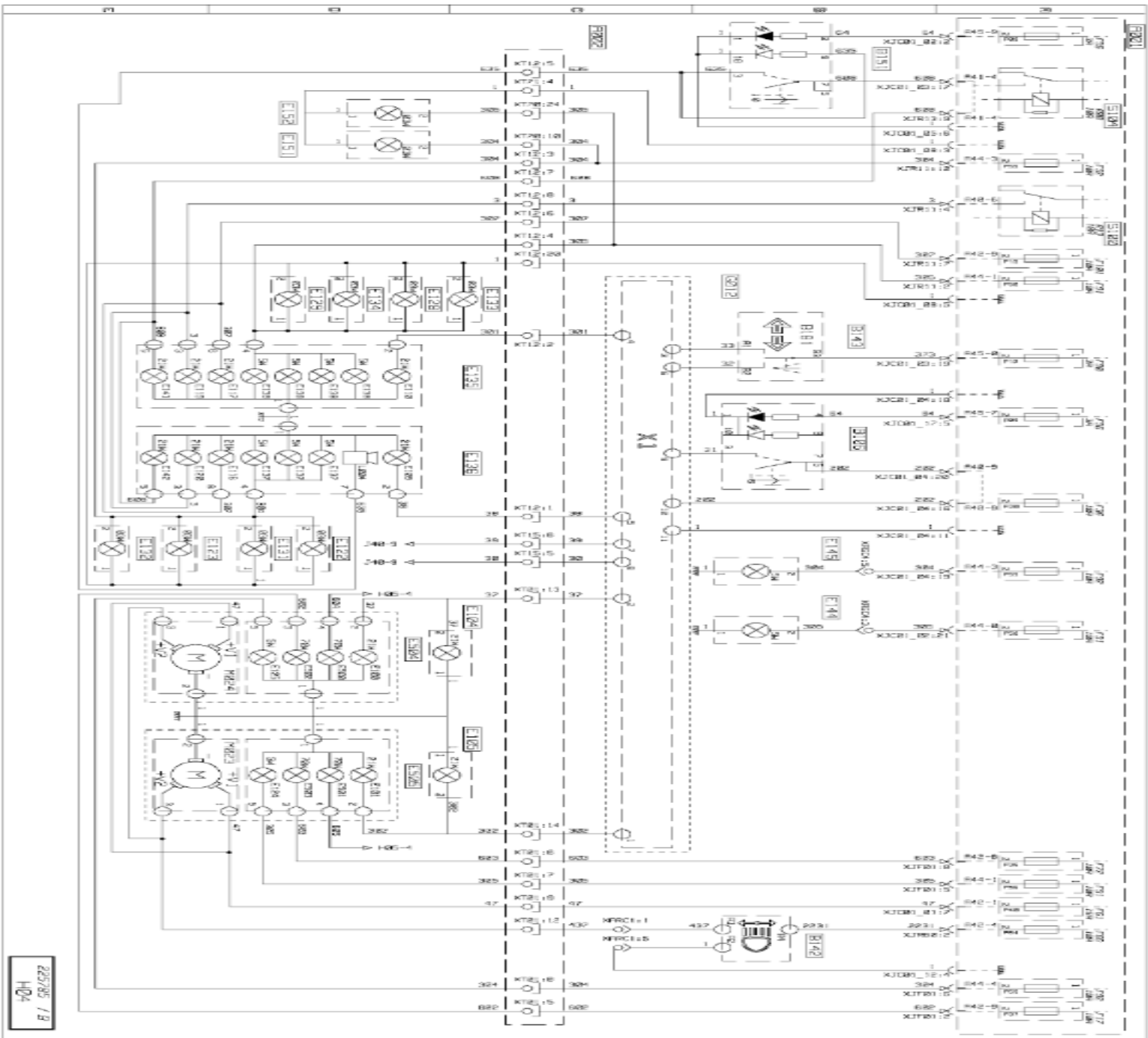
Lighting and signalling management (1/3)

Key to appliances

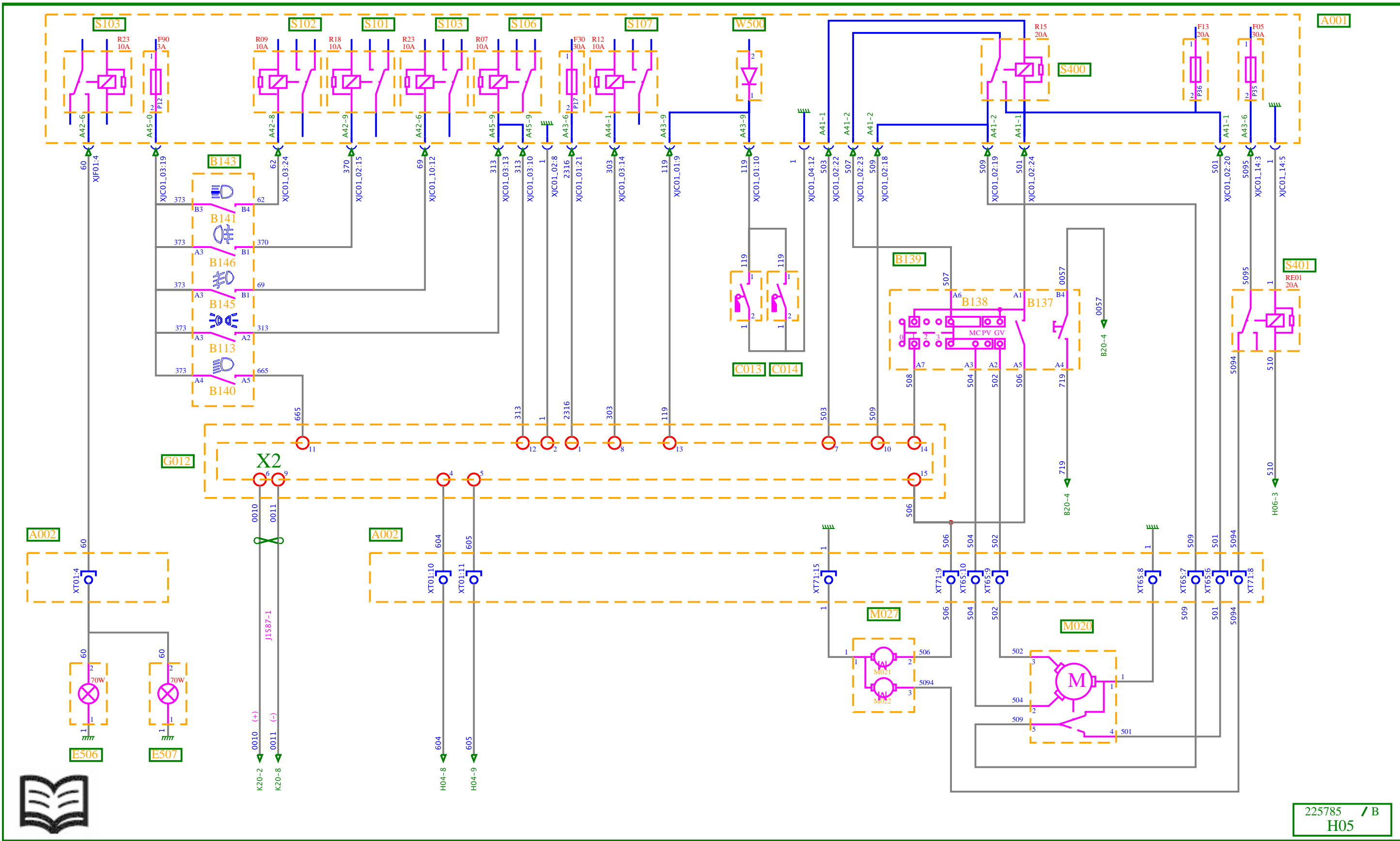
Code	Function	Location
A001	Cab electrical distribution box	B2c
A002	Chassis-cab connection box	B2c
B106	Hazard lights control	C2b
B142	Headlamps ride corrector control	C2b
B143	Steering wheel fingertip controls N° 1	C2b
B151	Reversing buzzer inhibition control	C2b
B181	Direction indicator control	C2b
E100	RH front direction change indicator lights	A1d
E101	LH front direction change indicator lights	C1d
E104	Roof RH front direction change indicator lights	A2a
E105	Roof LH front direction change indicator lights	C2a
E109	RH rear direction change indicator lights	A9d
E110	LH rear direction change indicator lights	C9d
E116	RH rear fog light	A9d
E117	LH rear fog light	C9d
E119	LH stop lights	C9d
E120	RH stop lights	A9d
E122	RH clearance light N° 1	A2d
E123	RH clearance light N° 2	A4d
E124	LH front side/parking lights	C1d
E125	RH front side/parking lights	A1d
E128	LH clearance lights N° 3	C2d
E129	LH clearance lights N° 4	C4d
E131	RH clearance lights N° 3	A6d
E132	RH clearance lights N° 4	A8d
E133	LH clearance lights N° 1	C6d
E134	LH clearance lights N° 2	C8d
E135	LH tail lights unit	C9d
E136	RH tail lights unit	A9d
E137	RH rear side/parking lights	A9d
E138	LH rear side/parking lights	C9d

E141	LH reversing lights	C9d
E142	RH reversing lights	A9d
E144	Roof LH side/parking lights	C2a
E145	Roof LH side/parking lights	A2a
E151	Right-hand side marker lamp N° 5	A8d
E152	Left-hand side marker lamp N° 5	A8d
E500	RH dipped beam headlight	A1d
E501	LH dipped beam headlight	C1d
E502	RH main beam headlight	A1d
E503	LH dipped beam headlight	C1d
E504	RH headlamp insert	A1d
E505	LH headlamp insert	C1d
G012	Lighting and signalling management ECU	B2c
L004	External horn	A9d
M023	LH headlamp ride correction motor	C1d
M024	RH headlamp ride correction motor	A1d
S100	Stop lights power supply relay	B2c
S104	Reversing lights power supply relay	B2c

Lighting and signalling management (1/3)



220/220
H04
E / 50/52

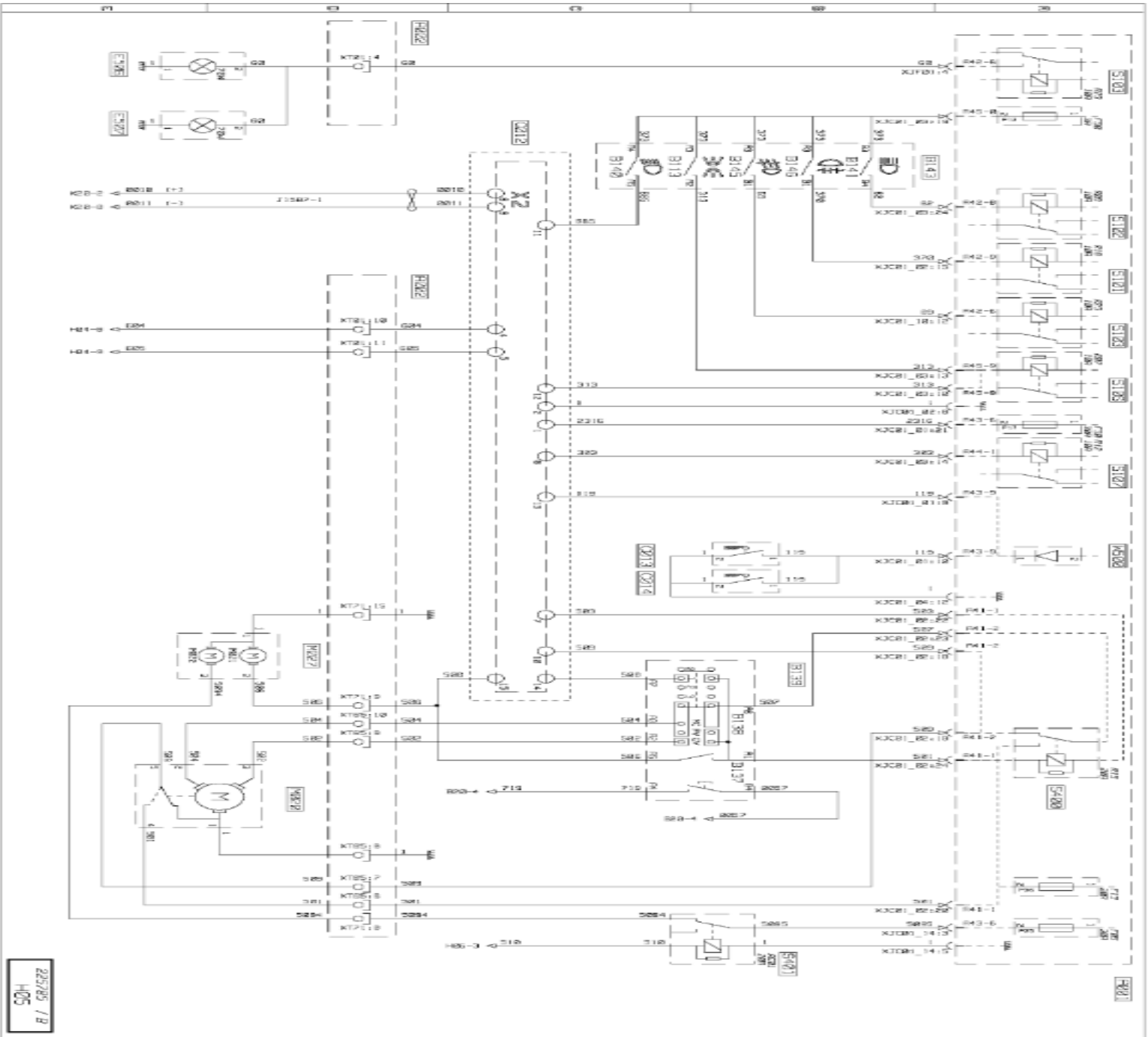


Lighting and signalling management (2/3)

Key to appliances

Code	Function	Location
A001	Cab electrical distribution box	B2c
A002	Chassis-cab connection box	B2c
B113	Side/parking lights control	C2b
B137	Windscreen wash control	C2b
B138	Windscreen wipers control	C2b
B139	Windscreen / headlamps wash/wipe control	C2b
B140	Dipped beam headlights control	C2b
B141	Main beam headlights control	C2b
B143	Steering wheel fingertip controls N° 1	C2b
B145	Fog driving lights control	C2b
B146	Fog lights control	C2b
C013	Driver's door open position information sensor	C2c
C014	Passenger's front door open position information sensor	A2c
E506	LH fog driving light	C1d
E507	RH fog driving light	A1d
G012	Lighting and signalling management ECU	B2c
M020	Windscreen wipers drive motor	B1c
M021	Windscreen wash pump motor	B1c
M022	Headlamps wash pump motor	B1c
M027	Windscreen wash motor / headlamps wash motor unit	C4c
S101	Rear fog lights power supply relay	B2c
S102	Main beam headlights power supply relay	B2c
S103	Fog driving lights power supply relay	B2c
S106	Switches night lighting power supply relay	B2c
S107	RH and LH side/parking and marker lights power supply relay (trailer and bodybuilder)	B2c
S400	Windscreen wipers motor time-delay relay	B2c
S401	Headlamps wash pump motor power supply relay	B2c
W500	Diode(s)	B2c

Lighting and signalling management (2/3)



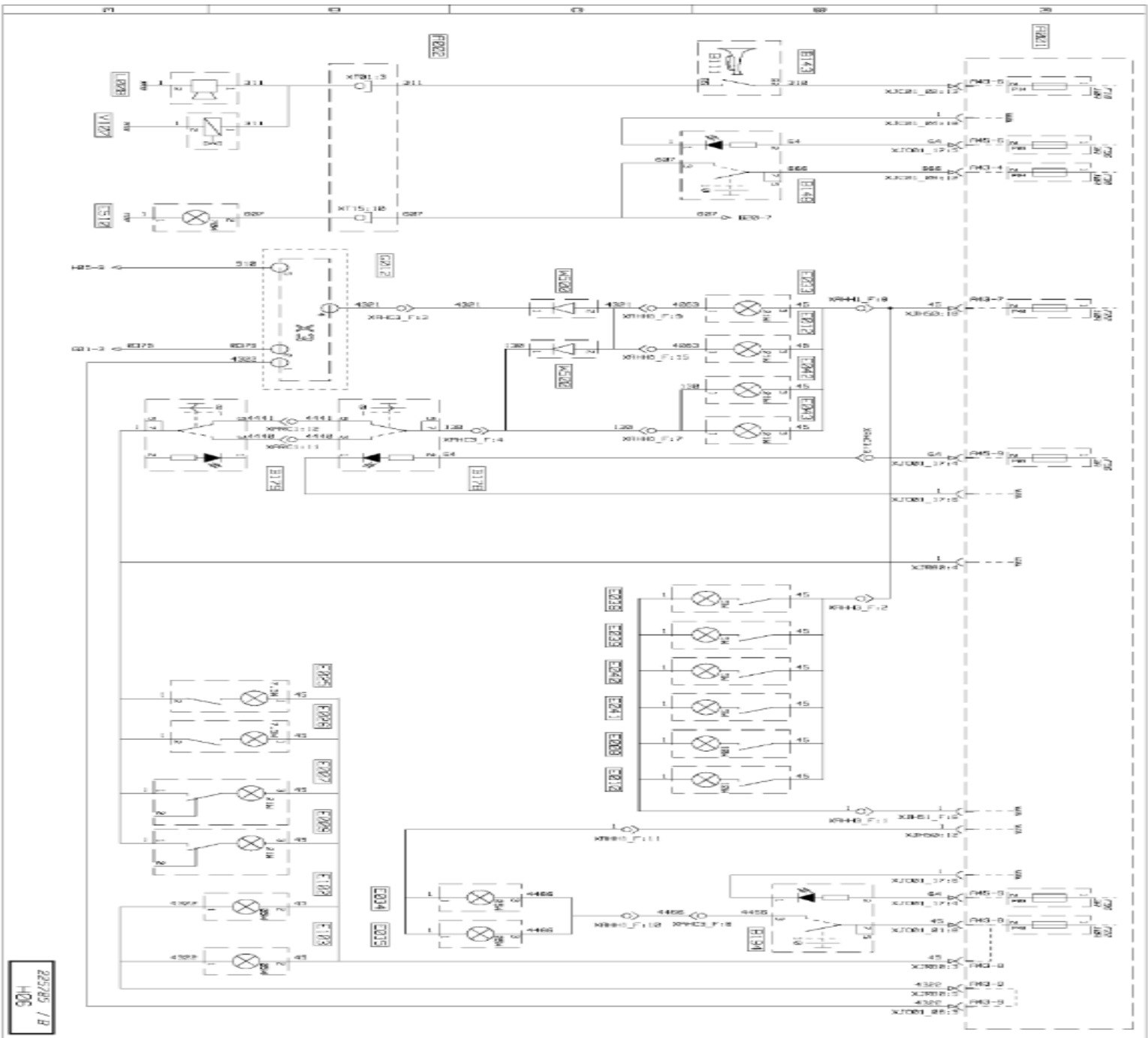
22575 / B
 H05

Lighting and signalling management (3/3)

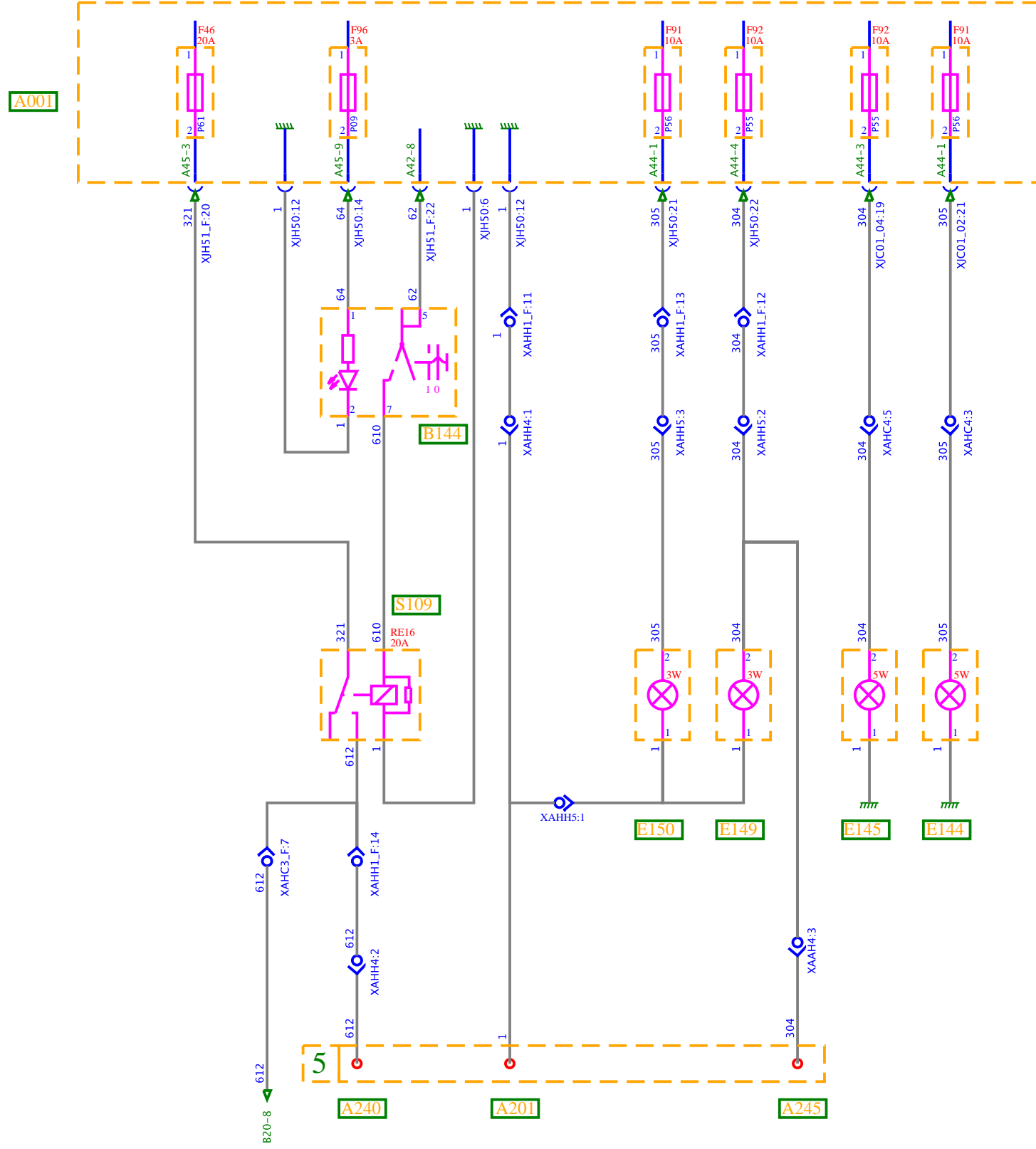
Key to appliances

Code	Function	Location
A001	Cab electrical distribution box	B2c
A002	Chassis-cab connection box	B2c
B111	Horn control	C2b
B143	Steering wheel fingertip controls N° 1	C2b
B148	Working lights control	C2b
B178	Cab interior lighting control (on dashboard)	C2b
B179	Cab interior lighting control (in cab)	B4b
B194	Overhead lighting control (ambience)	C2b
E007	Bunk lower RH overhead light	C4c
E008	Driver's side single overhead light	C2a
E009	Bunk lower LH overhead light	C4c
E010	Front passenger's side single overhead light	A2a
E012	RH upper overhead lighting (door)	A3a
E025	Driver's reading spotlight	C2a
E026	Front passenger's reading spotlight	A2a
E033	LH upper overhead lighting (door)	C3a
E034	LH overhead lighting (ambience)	C3a
E035	RH overhead lighting (ambience)	A3a
E038	Row 1 lighting	B2a
E039	Row 2 lighting	C2a
E040	Row 3 lighting	A2a
E041	Row 4 lighting	A2a
E042	Upper left-hand side overhead lamp lighting	C2a
E043	Upper right-hand side overhead lamp lighting	A2a
E102	Driver's side stepwell lighting	C2d
E103	Front passenger's side stepwell lighting	A2d
E510	Working spotlight	B4d
G012	Lighting and signalling management ECU	B2c
L008	Electric horn	C2d
V107	Air horn	C2d
W500	Diode(s)	B2c

Lighting and signalling management (3/3)



225/25 / B
H05

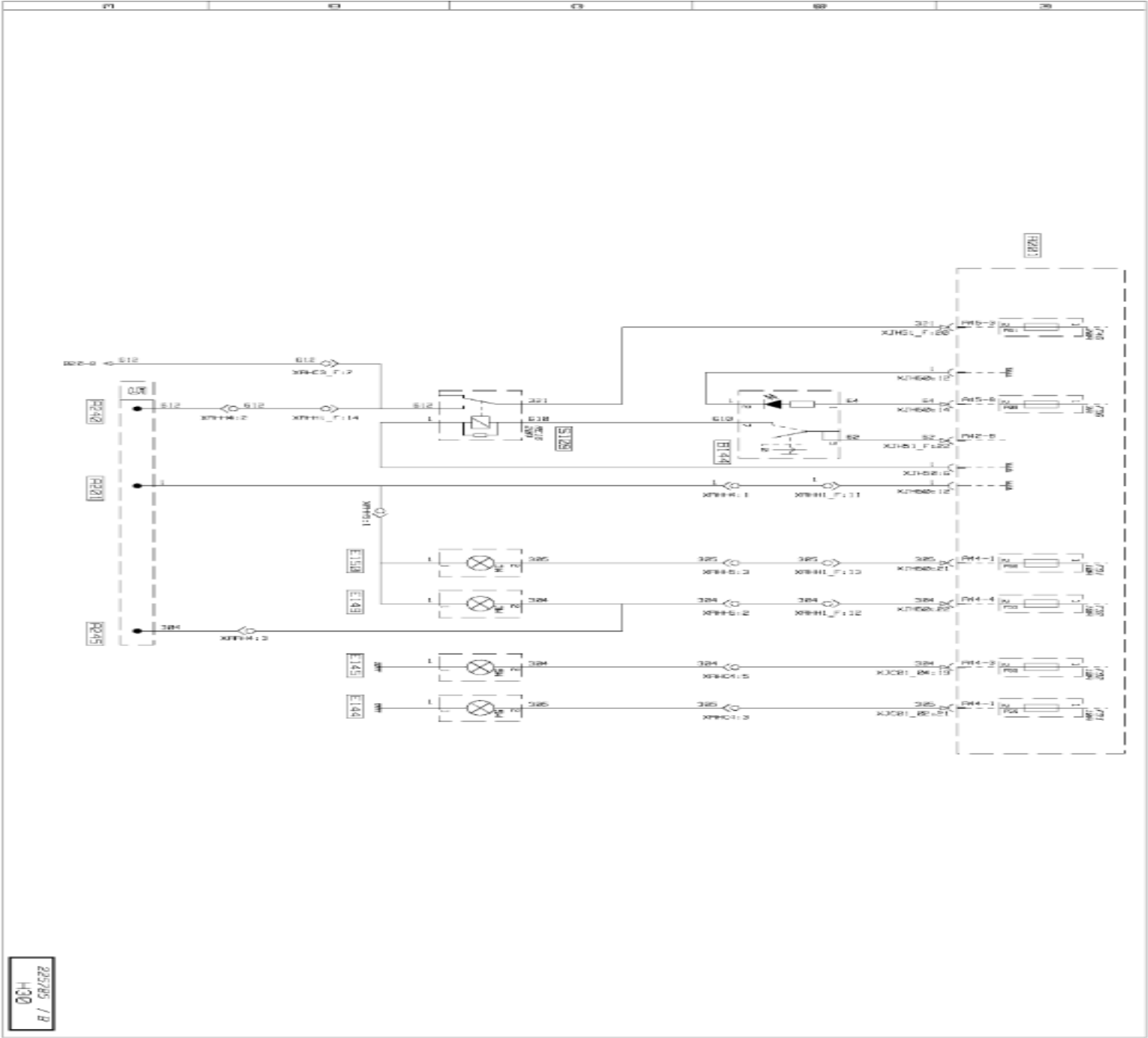


Side, marker, identification and parking lights

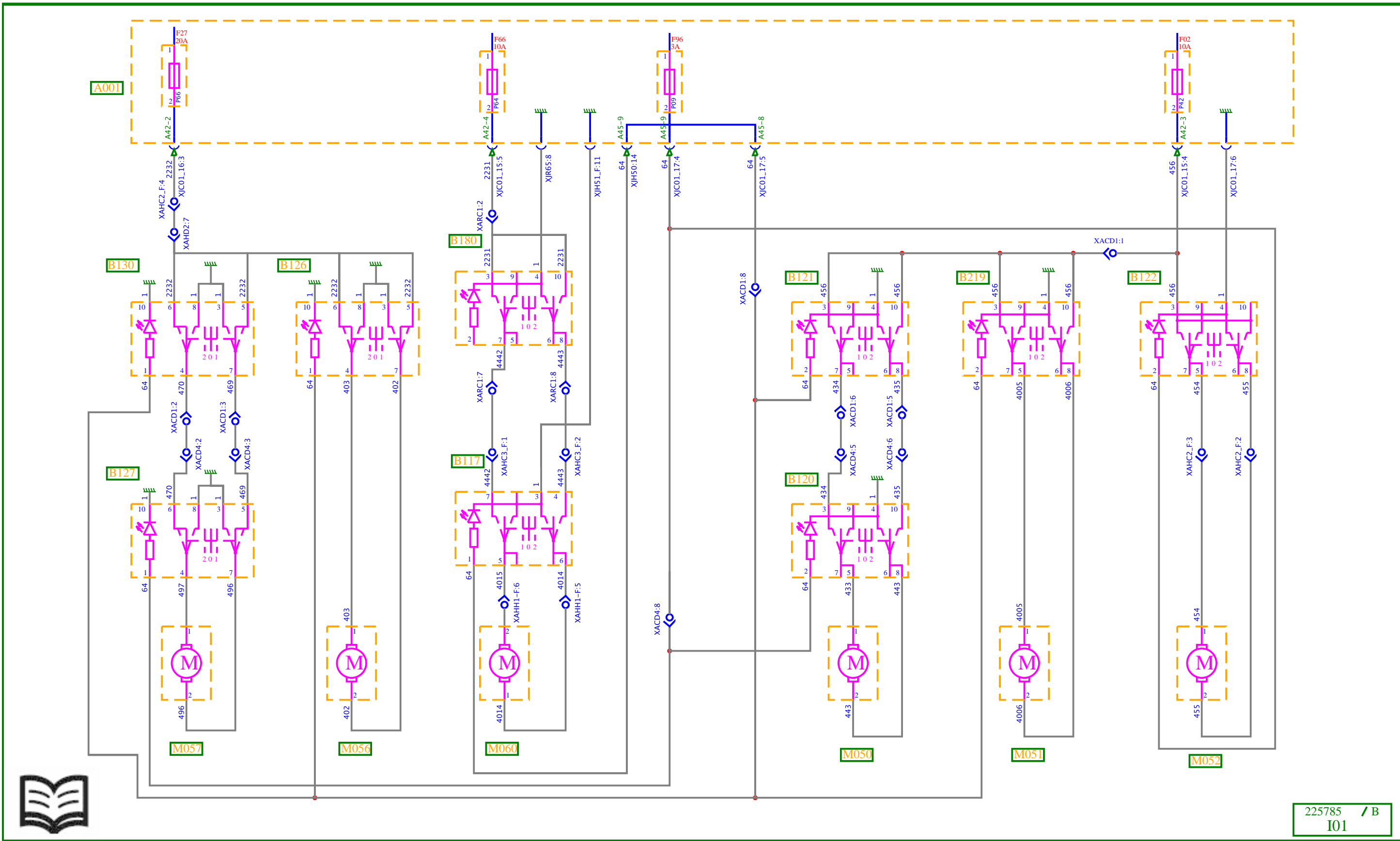
Key to appliances

Code	Function	Location
A001	Cab electrical distribution box	B2c
A201	Available power supply (vehicle earth)	B2a
A240	Available power supply (lighting)	B2a
A245	Available power supply (lighting and side/parking lights)	B2a
B144	Long range driving lights control	C2b
E144	Roof LH side/parking lights	C2a
E145	Roof LH side/parking lights	A2a
E149	Anti-glare strip-mounted LH marker lights	C2a
E150	Anti-glare strip-mounted RH marker lights	A2a
S109	Long range driving lights power supply relay	B2c

Side, marker, identification and parking lights



22525 / B
H30

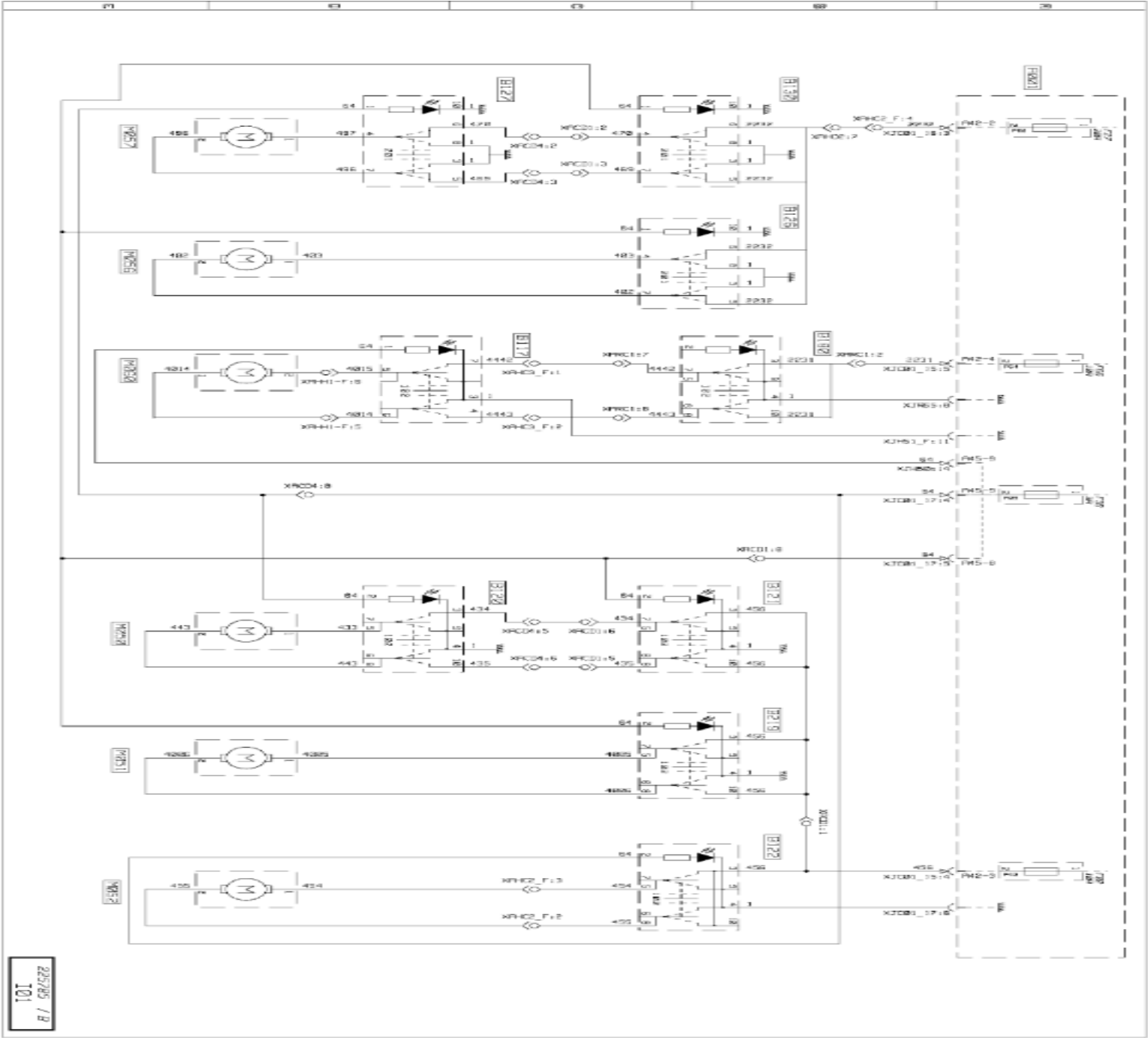


Electric window winder, sun-roof

Key to appliances

Code	Function	Location
A001	Cab electrical distribution box	B2c
B117	Sun-roof opening / closing control (on dashboard)	B2b
B120	Passenger's electric curtain motor control (passenger side)	A3c
B121	Passenger's electric curtain motor control (driver side)	C3c
B122	Front curtain motor control (driver side)	C3c
B126	Driver's window winder motor control (driver side)	C2b
B127	Front passenger window winder motor control (front passenger side)	A2b
B130	Front passenger window winder motor control (driver side)	C2b
B180	Sun-roof opening / closing control (on cab rear control console)	B4b
B219	Driver's side electric curtain motor control	C3c
M050	Front passenger's sun visor motor	A3a
M051	Driver's sun visor motor	C3a
M052	Front sun visor motor	C3a
M056	Driver's door window winder motor	C3c
M057	Front passenger's door window winder motor	A3c
M060	Electric roof air vent motor	B3a

Electric window winder, sun-roof



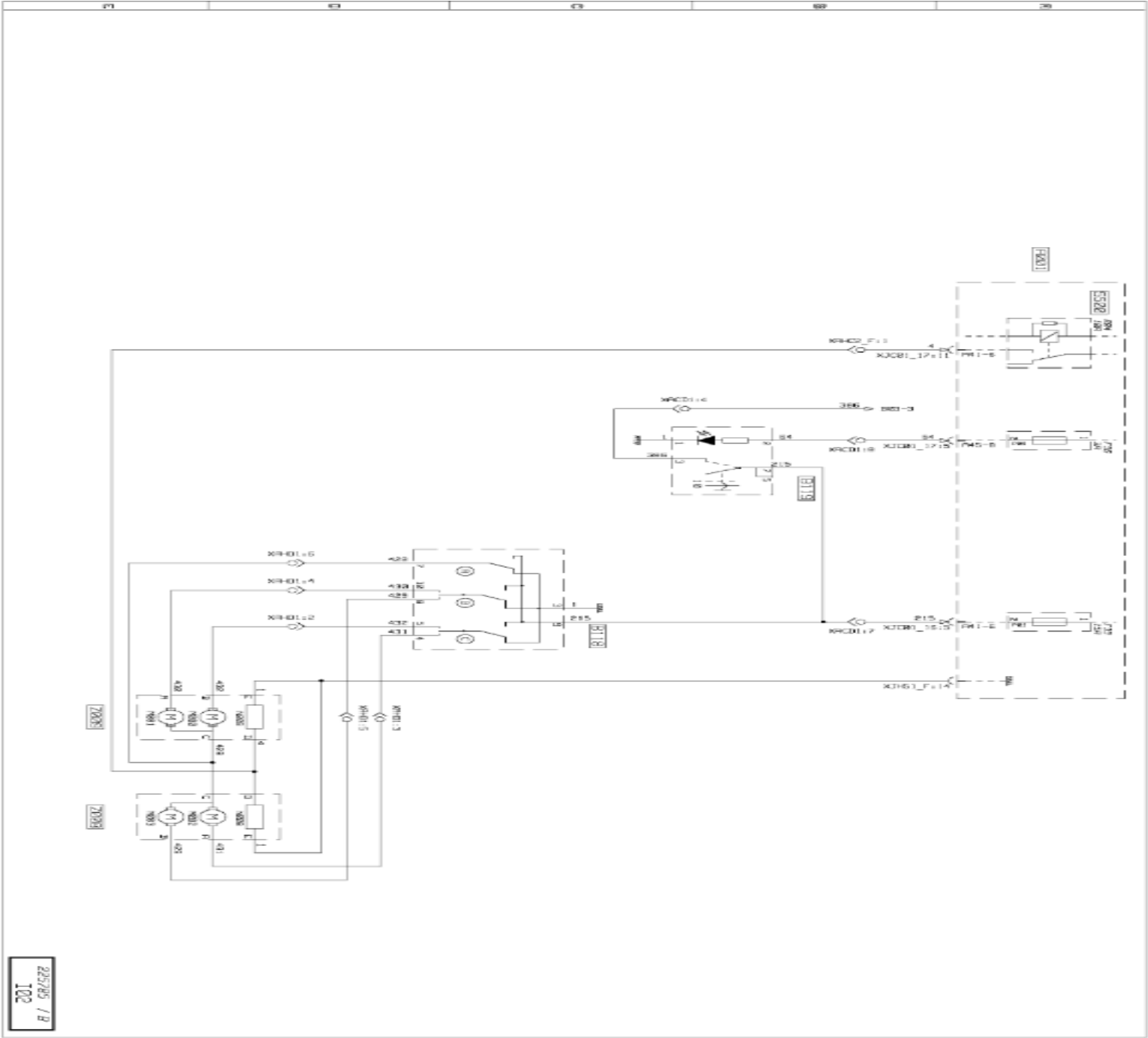
225285 / B
101

Swivelling defrosting rearview mirrors

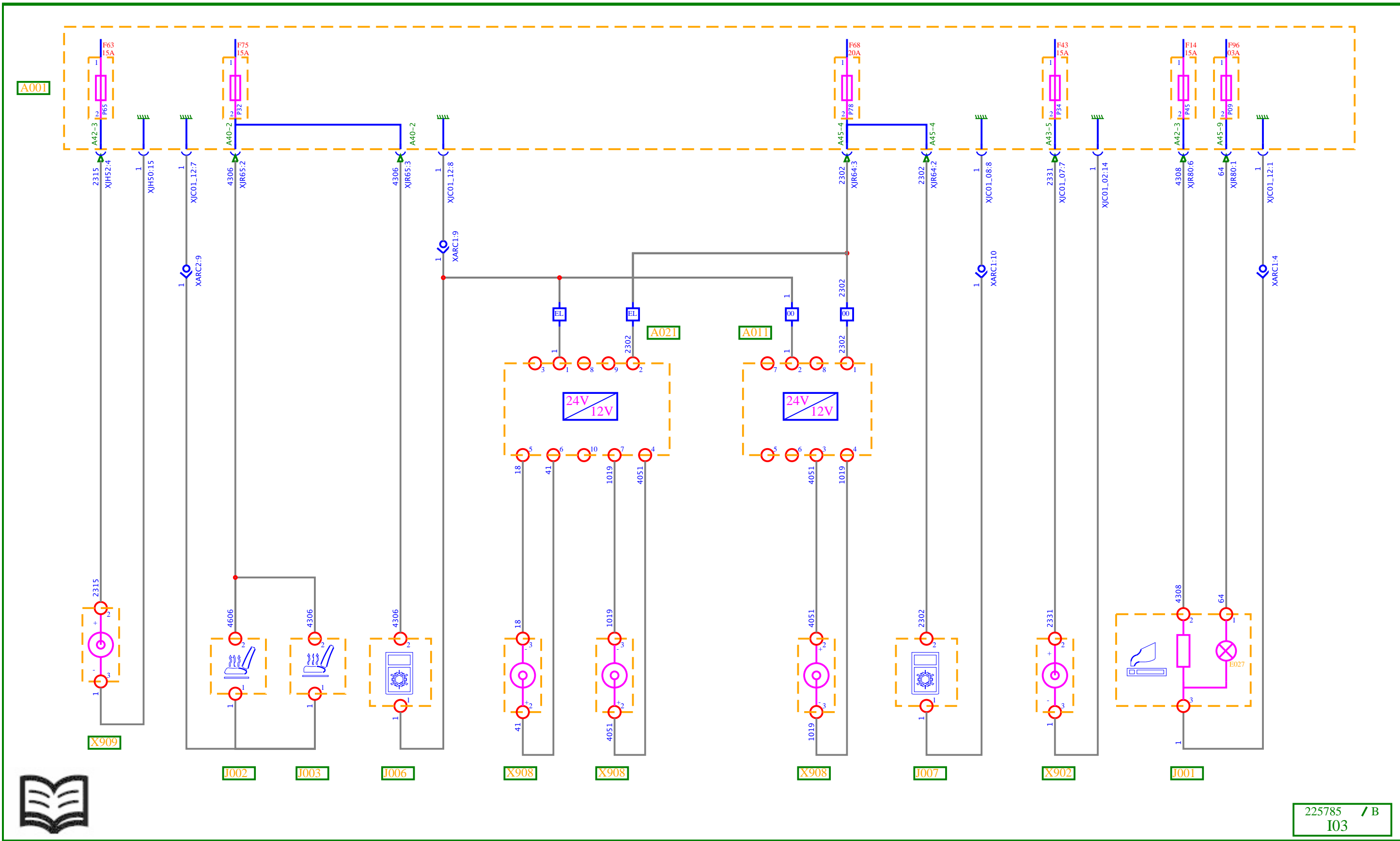
Key to appliances

Code	Function	Location
A001	Cab electrical distribution box	B2c
B118	Swivelling rearview mirrors and alarm siren adjustment control	C2b
B119	Rearview mirrors and windscreen defrosting control	C2b
M080	RH rearview mirror horizontal swivelling motor	A2a
M081	RH rearview mirror vertical swivelling motor	A2a
M082	LH rearview mirror horizontal swivelling motor	C2a
M083	LH rearview mirror vertical swivelling motor	C2a
N008	LH defrosting rearview mirror resistor	C2a
N009	RH defrosting rearview mirror resistor	A2a
S500	Heated and swivelling rearview mirror power supply relay	B2c
Z008	Driver's swivelling defrosting rearview mirror	C2a
Z009	Passenger's swivelling defrosting rearview mirror	A2a

Swivelling defrosting rearview mirrors



22525 / B
102



Comfort accessories

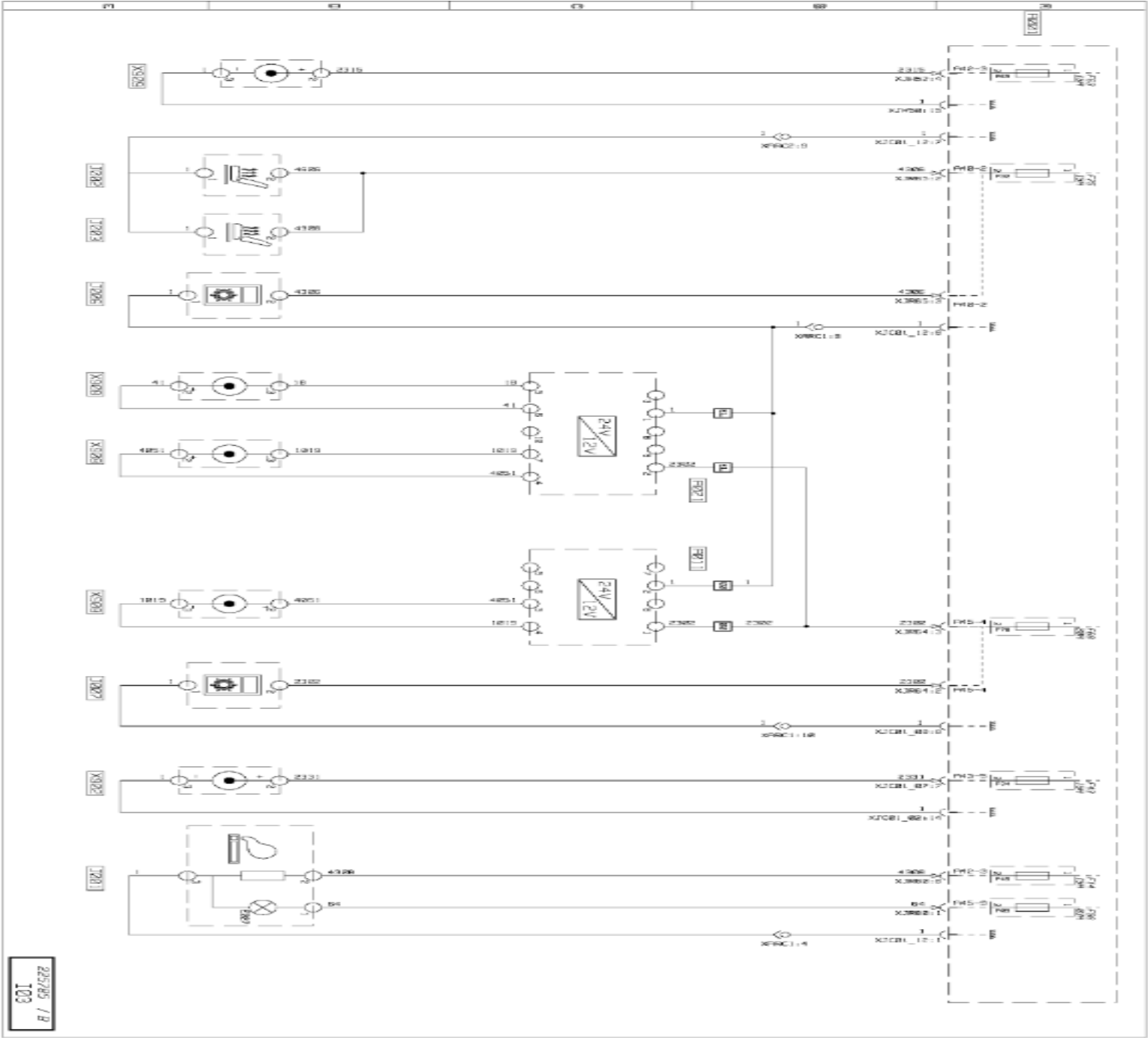
Key to appliances

Code	Function	Location
A001	Cab electrical distribution box	B2c
A011	Voltage converter (24V / 12V) for information technology pack	C4c
A021	Voltage converter (24 / 12V - 15A)	C4c
E027	Cigar lighter light	B2b
J001	Cigar lighter	B2b
J002	RH heated seat unit	A3b
J003	LH heated seat unit	C3b
J006	Refrigerated compartment	B3c
J007	Refrigerator	B3c
X902	24 Volts power supply socket	B2b
X908	12 Volts power supply socket	B2b
X909	Extra 24 Volts power supply socket	B2a

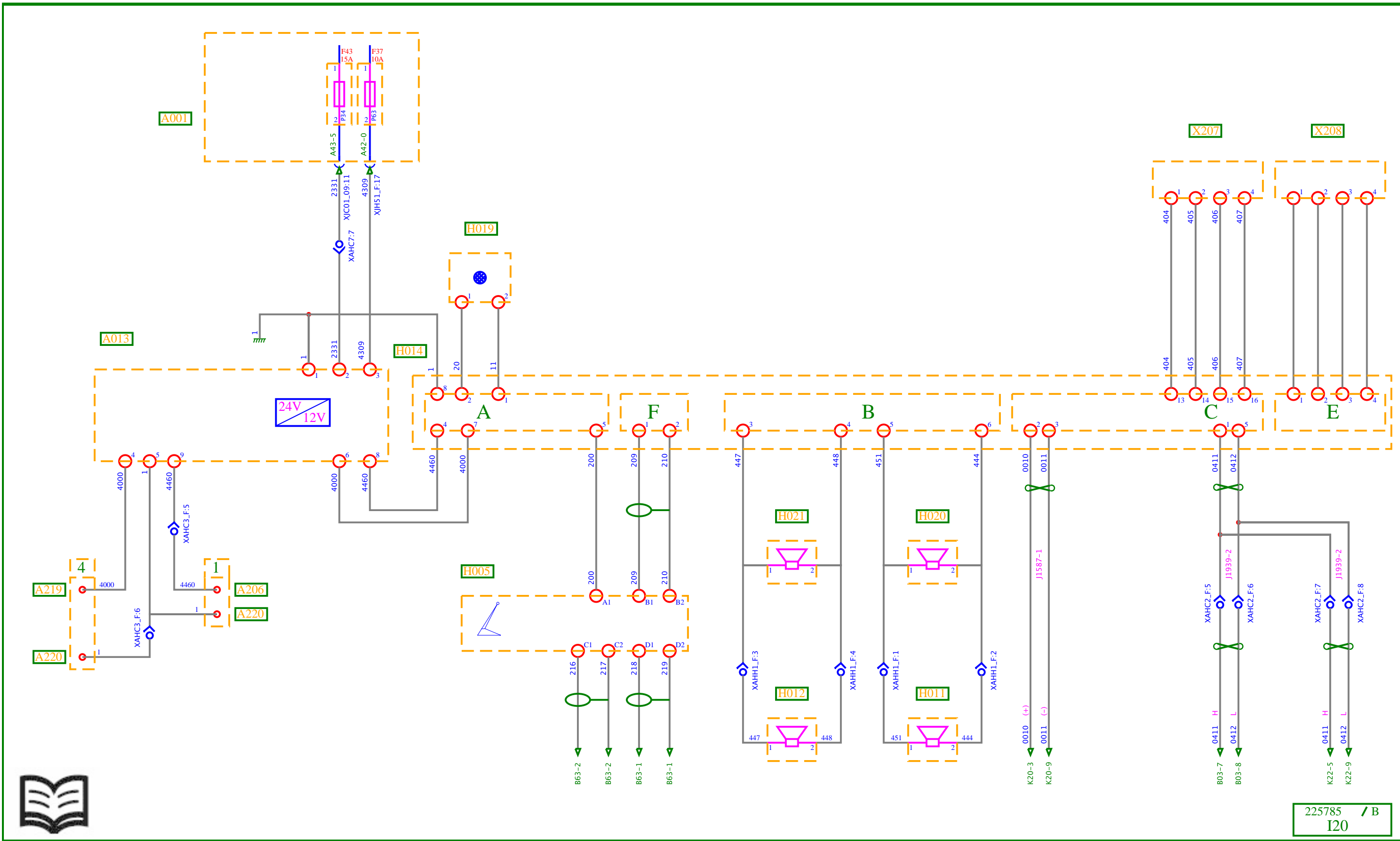
EL: with MULTIPASS

00: other cases of use

Comfort accessories



22525 / B
103

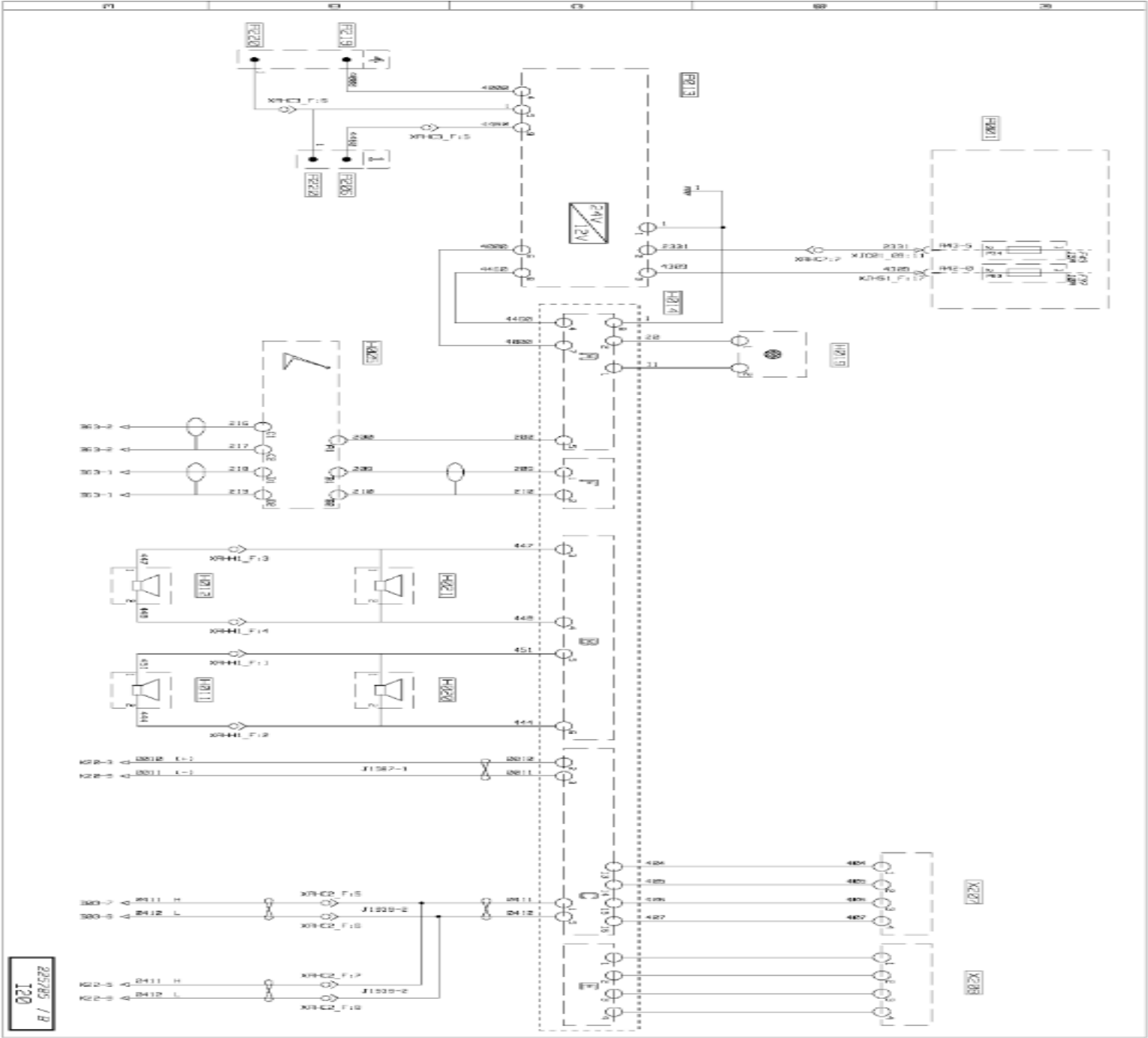


Radio

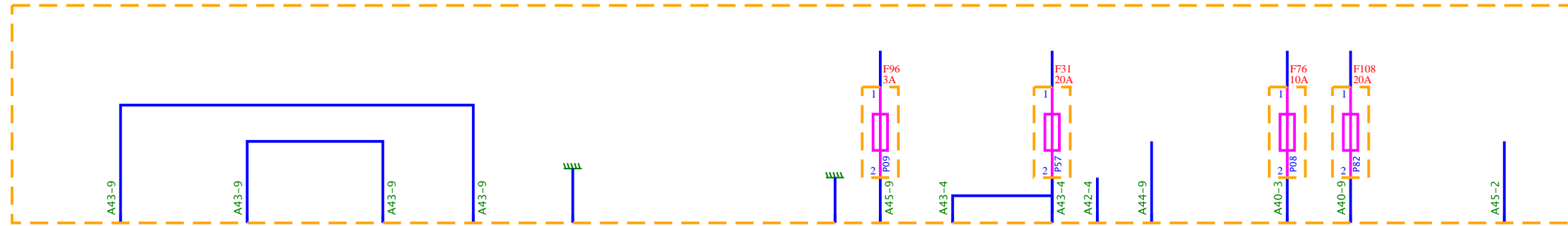
Key to appliances

Code	Function	Location
A001	Cab electrical distribution box	B2c
A013	Voltage converter (24V / 12V - 15A) for audio communication system	B2a
A206	Available power supply (CB +)	C2a
A219	Available power supply (radio-telephone +)	B2b
A220	Available power supply (radio-telephone -)	B2b
H005	GPS satellite antenna	C2a
H011	LH front loudspeaker	C2a
H012	RH front loudspeaker	A2a
H014	Radio set	C2a
H019	Microphone	C2a
H020	Sharp loudspeaker, LH side	C2a
H021	Sharp loudspeaker, RH side	A2a
X207	Audio auxiliary connector	C2a
X208	Audio USB connector	C2a

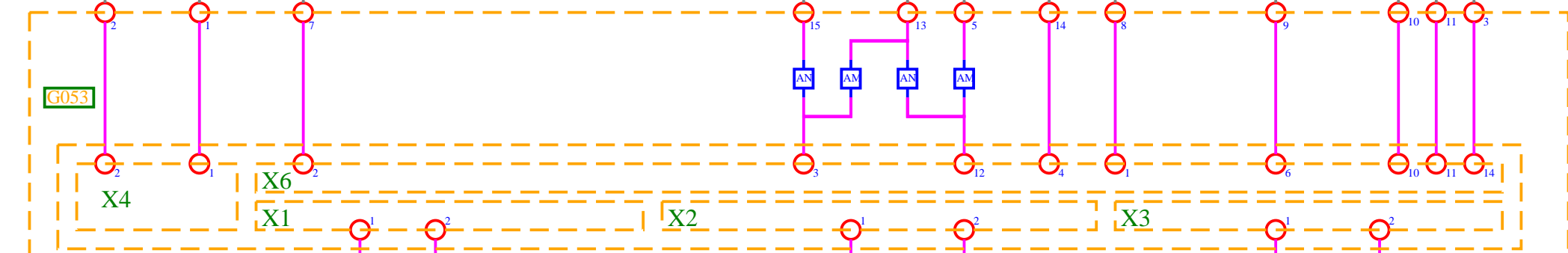
Radio



A001

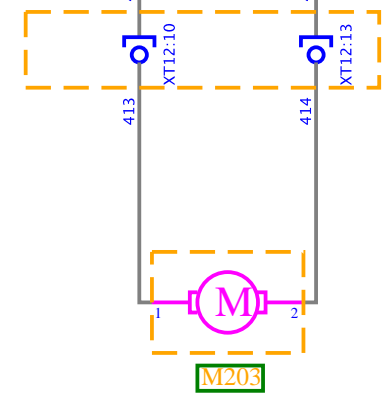


K002



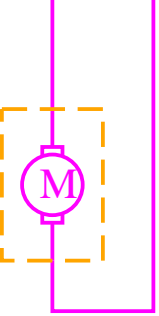
G053

A002

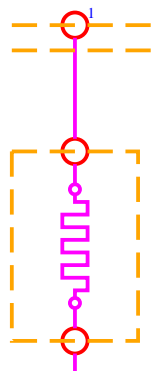


M203

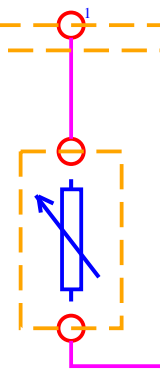
M101



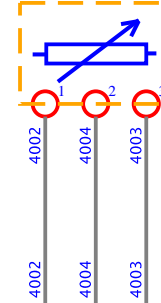
N034



C269



C090



Independent (add-on) heating AT2000 ST

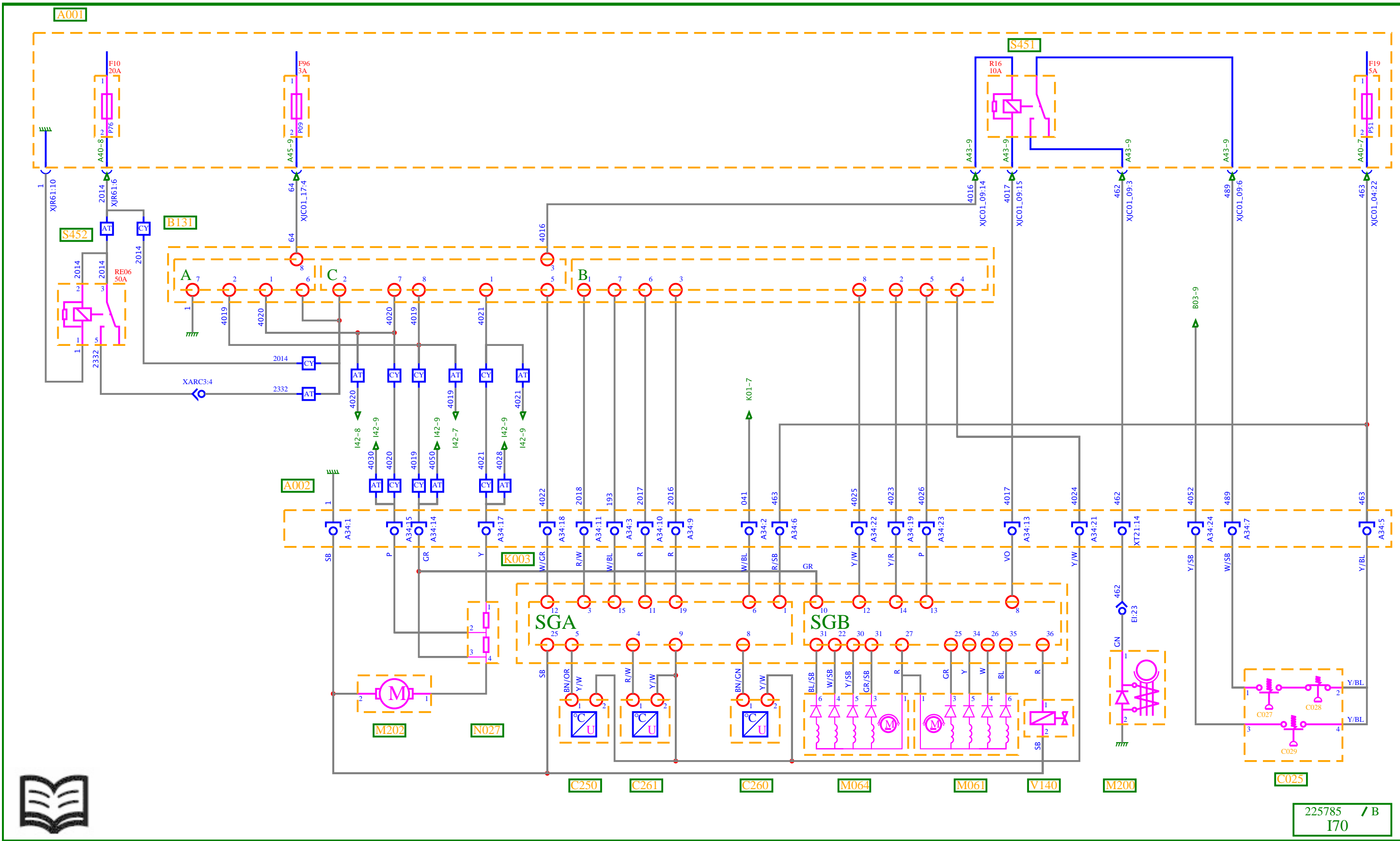
Key to appliances

Code	Function	Location
A001	Cab electrical distribution box	B2c
A002	Chassis-cab connection box	B2c
B167	Cab add-on heater control	C3a
C090	Add-on heater temperature sensor	B4b
C269	Temperature sensor on the autonomous heating system	B2b
G053	Air/air autonomous heating ECU	B2b
K002	Air/air add-on heater	B2b
M101	Add-on heater fan motor	B2b
M203	Add-on heater fuel pump motor	C4d
N034	Autonomous heating system heating element	B2b

AM: with ADR equipment

AN: without ADR equipment

Independent (add-on) heating AT2000 ST



Air conditioning

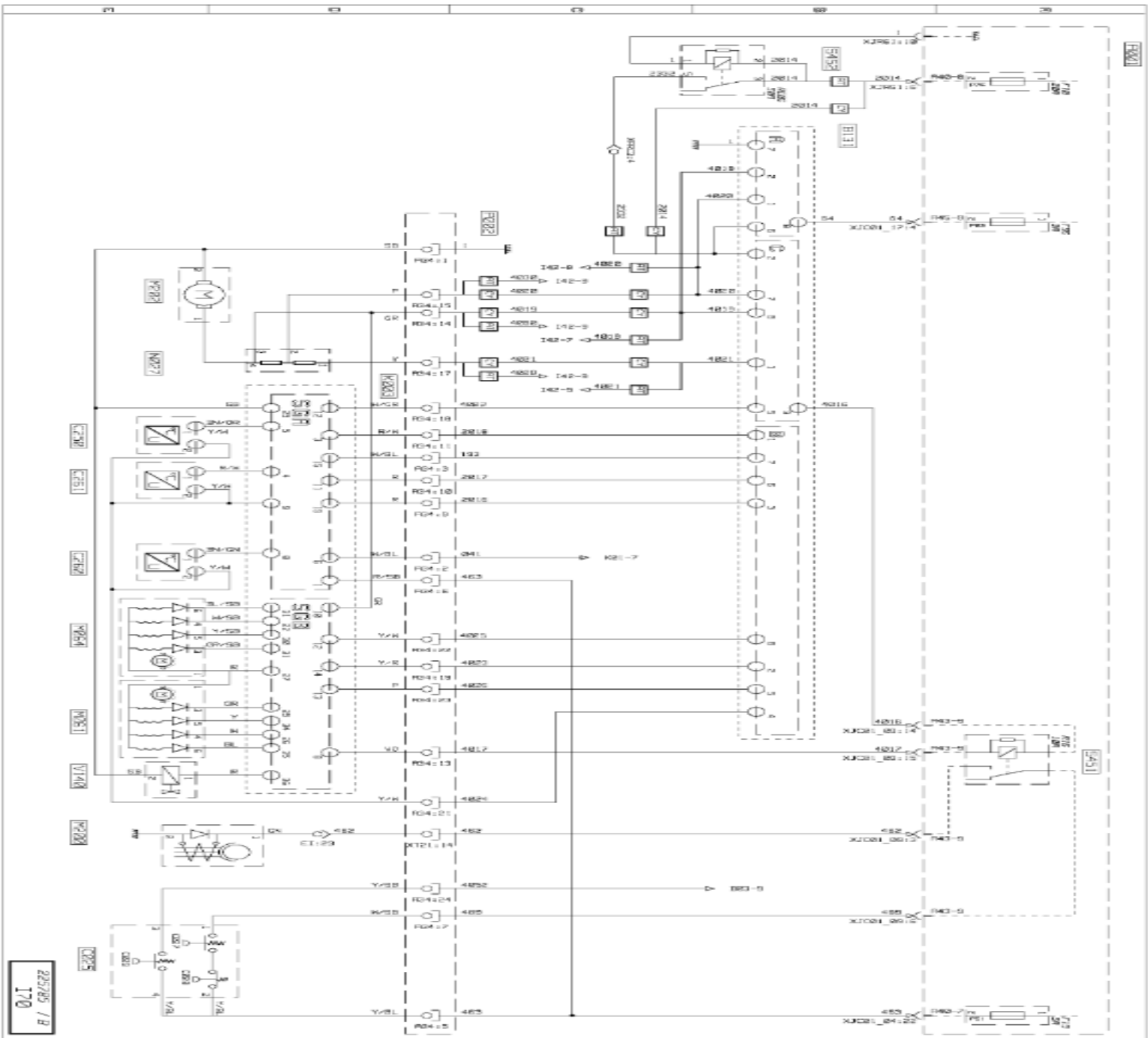
Key to appliances

Code	Function	Location
A001	Cab electrical distribution box	B2c
A002	Chassis-cab connection box	B2c
B131	Air conditioner control	B2b
C025	3-level air conditioning pressure sensor	B2b
C027	Low level air conditioning pressure sensor	B2b
C028	High level air conditioning pressure sensor	B2b
C029	Intermediate level air conditioning pressure sensor	B2b
C250	Blown air temperature sensor	B2b
C260	Evaporator temperature sensor	B2b
C261	Air conditioning outside air temperature sensor	B2b
K003	Air conditioning ECU	B2b
M061	Air recycling motor	B2b
M064	Air mixing flap motor	B2b
M200	Air conditioning compressor electric clutch	B3d
M202	Driving position fan-coil heater motor	B2b
N027	Fan/coil heater pilot-control resistors assembly	B2b
S451	Air conditioning compressor clutch power supply relay	B3c
S452	Air conditioning fan piloting relay	B2c
V140	Cab heating engine coolant circuit by-pass solenoid valve	B2b

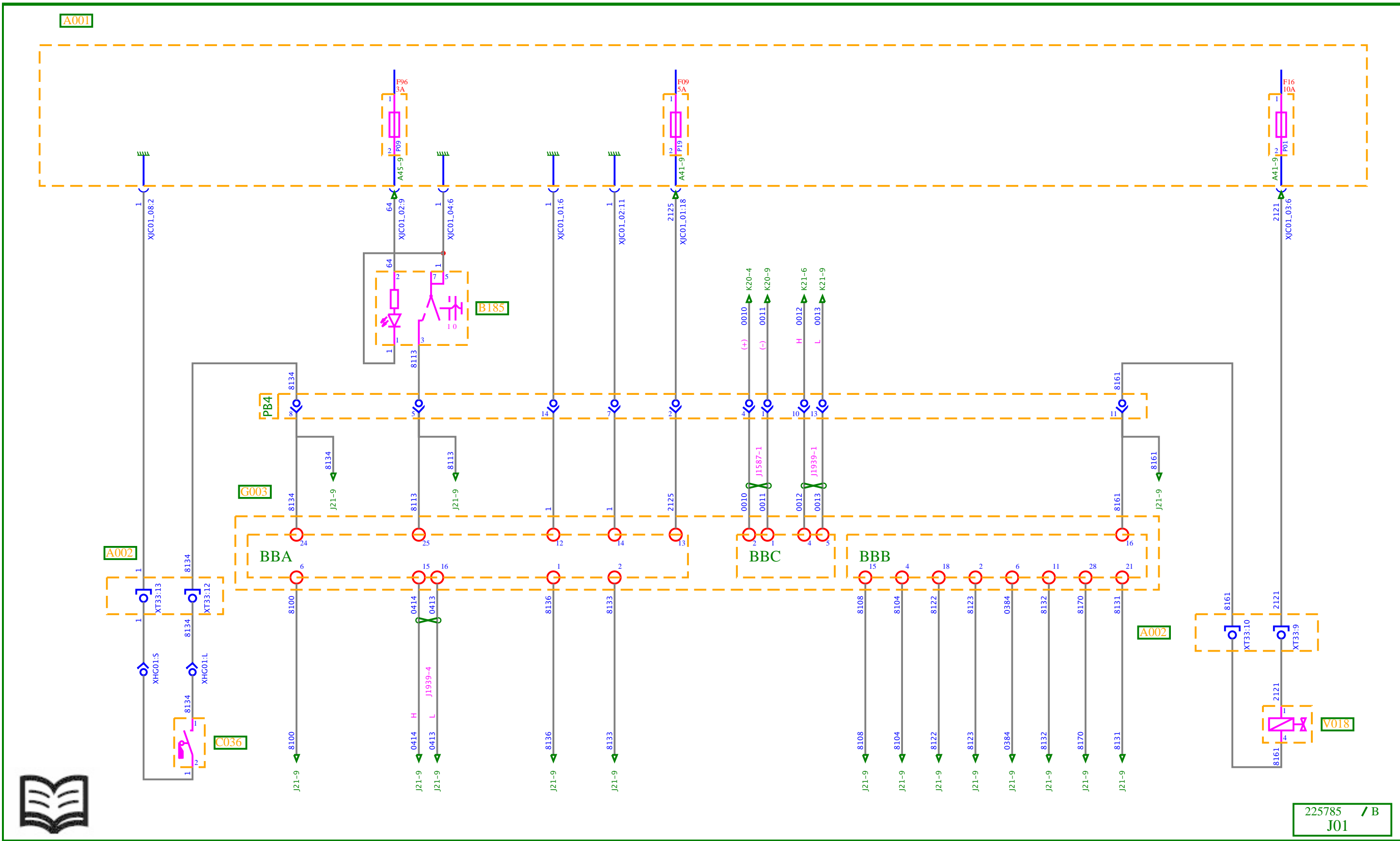
AT: With air / water independent heating

CY: Without air / water independent heating

Air conditioning



22525 / B
170

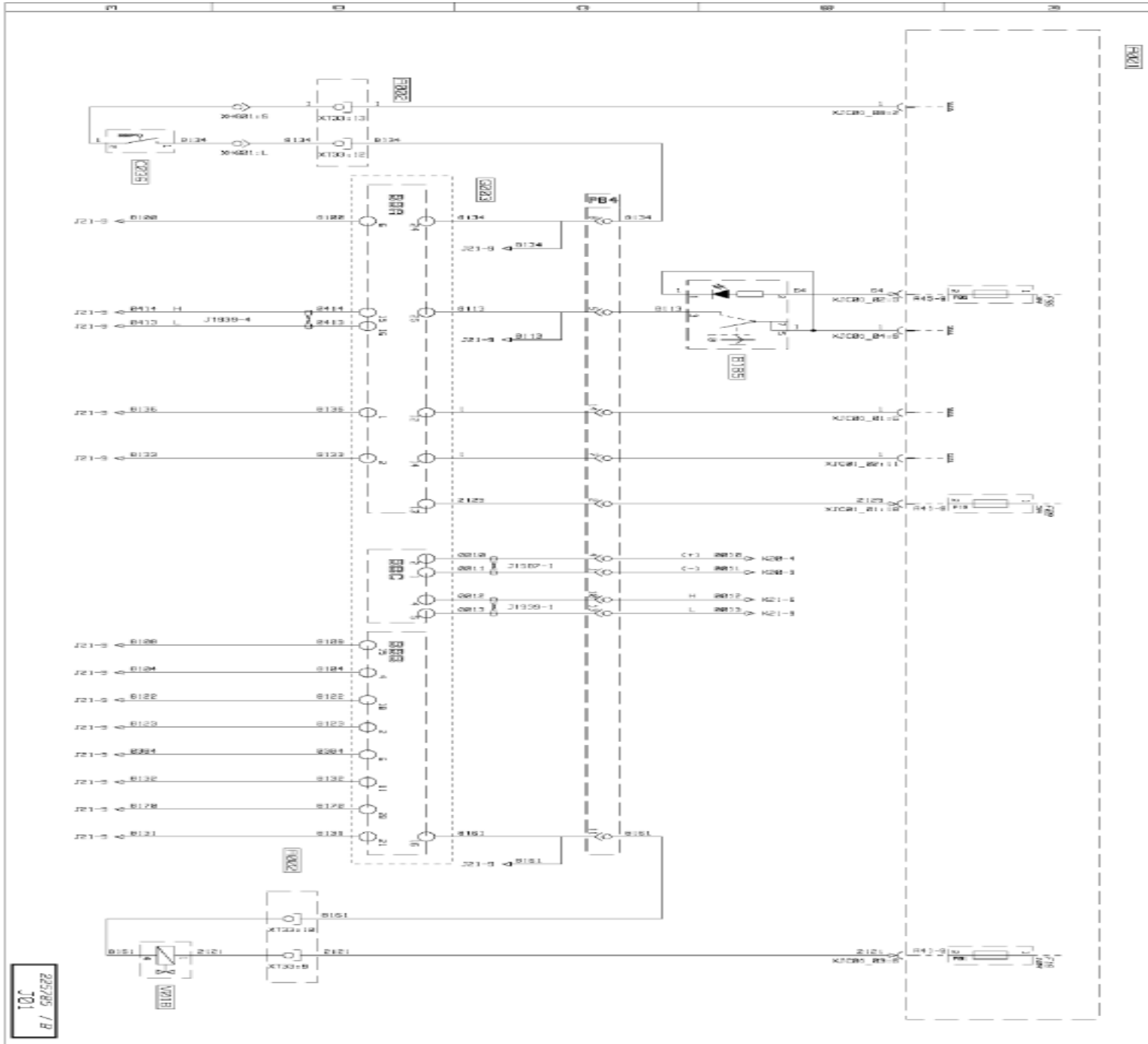


Bodybuilder pre-arrangement management

Key to appliances

Code	Function	Location
A001	Cab electrical distribution box	B2c
A002	Chassis-cab connection box	B2c
B185	PTO 2 engagement request control (in cab)	C2c
C036	PTO 2 engaged position information sensor	B4d
G003	Bodybuilder pre-arrangement management ECU	B2b
V018	PTO engagement electrovalve N° 2	B4d

Bodybuilder pre-arrangement management



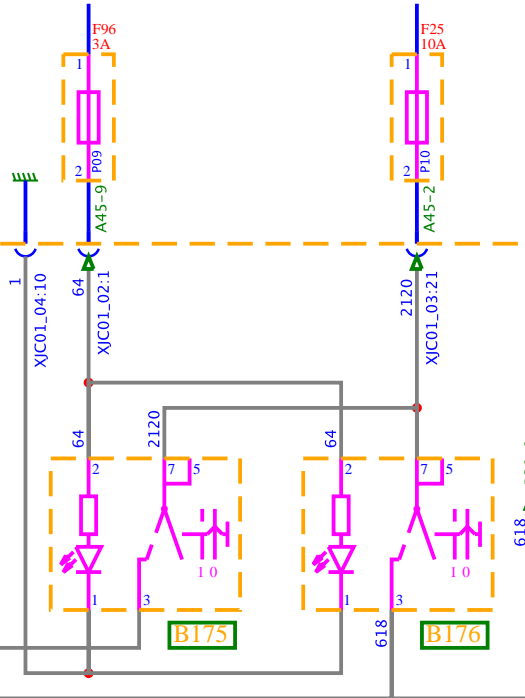
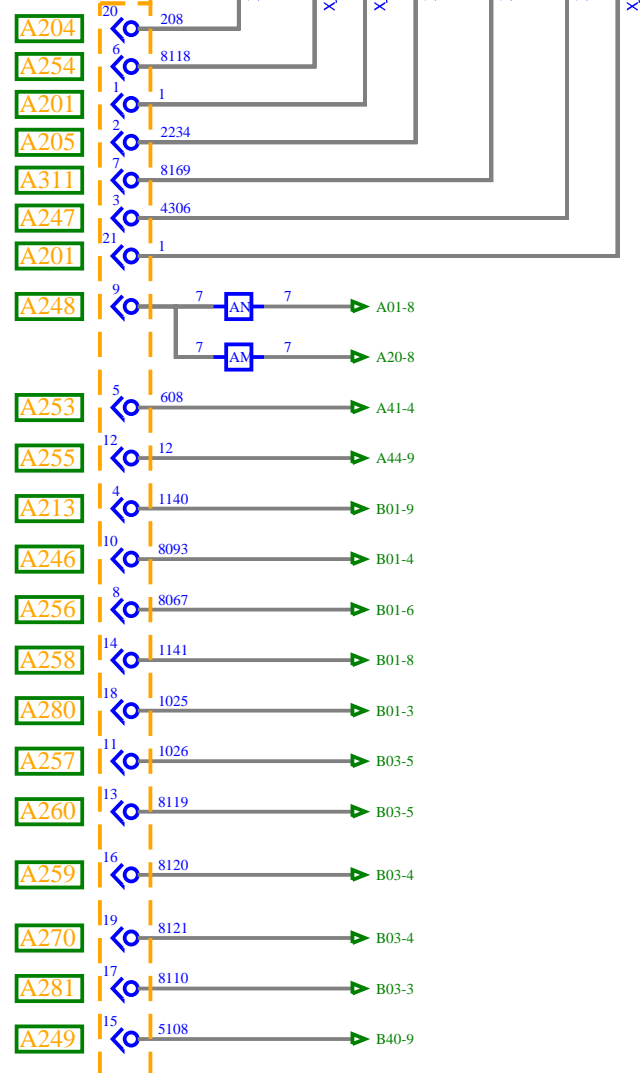
A001

W500

W500

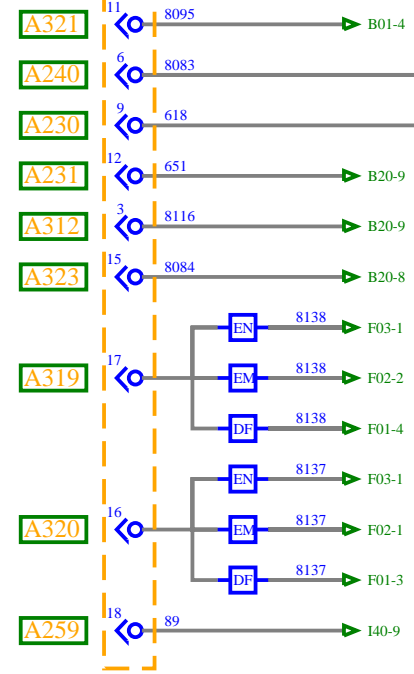
X200

PB1



X200

PB2



Available power supplies (1/2)

Key to appliances

Code	Function	Location
A001	Cab electrical distribution box	B2c
A201	Available power supply (vehicle earth)	B2c / C5d
A204	Available power supply (after master switch)	B2c / C5d
A205	Available power supply (after ignition)	C5d
A213	Available power supply (PTO N°1)	B2c
A230	Available power supply (equipment in "road" position warning pictogram)	B2c
A231	Available power supply (equipment in "working" position warning pictogram)	B2c
A240	Available power supply (lighting)	B2c
A246	Available power supply (PTO N°1 control)	B2c
A247	Available power supply (alternator information, engine running)	B2c
A248	Available power supply (alternator information, engine speed)	B2c
A249	Available power supply (tachograph corrected speed information)	B2c
A253	Available power supply (reversing information)	B2c
A254	Available power supply (parking brake information)	B2c
A255	Available power supply (gearbox neutral information)	B2c
A256	Available power supply (chassis-mounted engine speed control actuation demand)	B2c
A257	Available power supply (selection of engine speed N°1)	B2c
A258	Available power supply (selection of engine speed N°2)	B2c
A259	Available power supply (engine speed acceleration demand)	B2c
A260	Available power supply (engine speed deceleration demand)	B2c
A270	Available power supply (main engine speed automatic return)	B2c
A280	Available power supply (low speed)	B2c
A281	Available power supply (engine stop control)	B2c
A311	Available power supply (PTO 1 engaged information)	B2c
A312	Available power supply (equipment in dangerous position)	B2c
A319	Available power supply (suspension level control)	B2c
A320	Available power supply (suspension level actuation control)	B2c
A321	Available power supply (6 km/h limitation)	B2c
A323	Available power supply (alarm stop)	B2c

B175	Pre-arrangement for bodybuilder N° 1 control	C2b
B176	Pre-arrangement for bodybuilder N° 2 control	C2b
W500	Diode(s)	B2c
X200	Available power supplies connector	B2c

AM: with ADR equipment

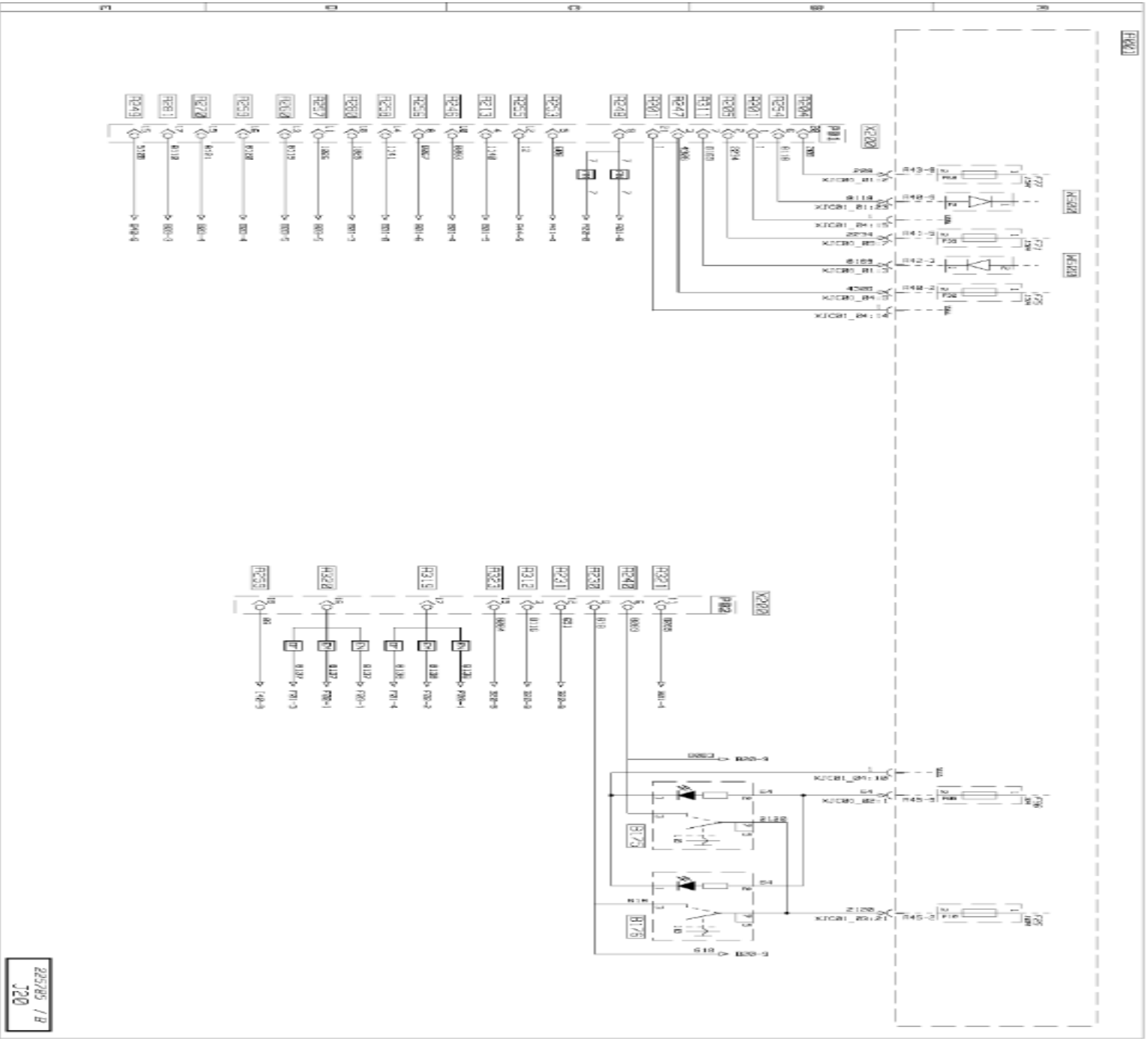
AN: without ADR equipment

DF: with electronic air suspension tractor vehicle **4x2**

EM: with **4x2 - 6x2** vehicle rear electronic air suspension

EN: with **4x2 - 6x2** vehicle integral electronic air suspension

Available power supplies (1/2)



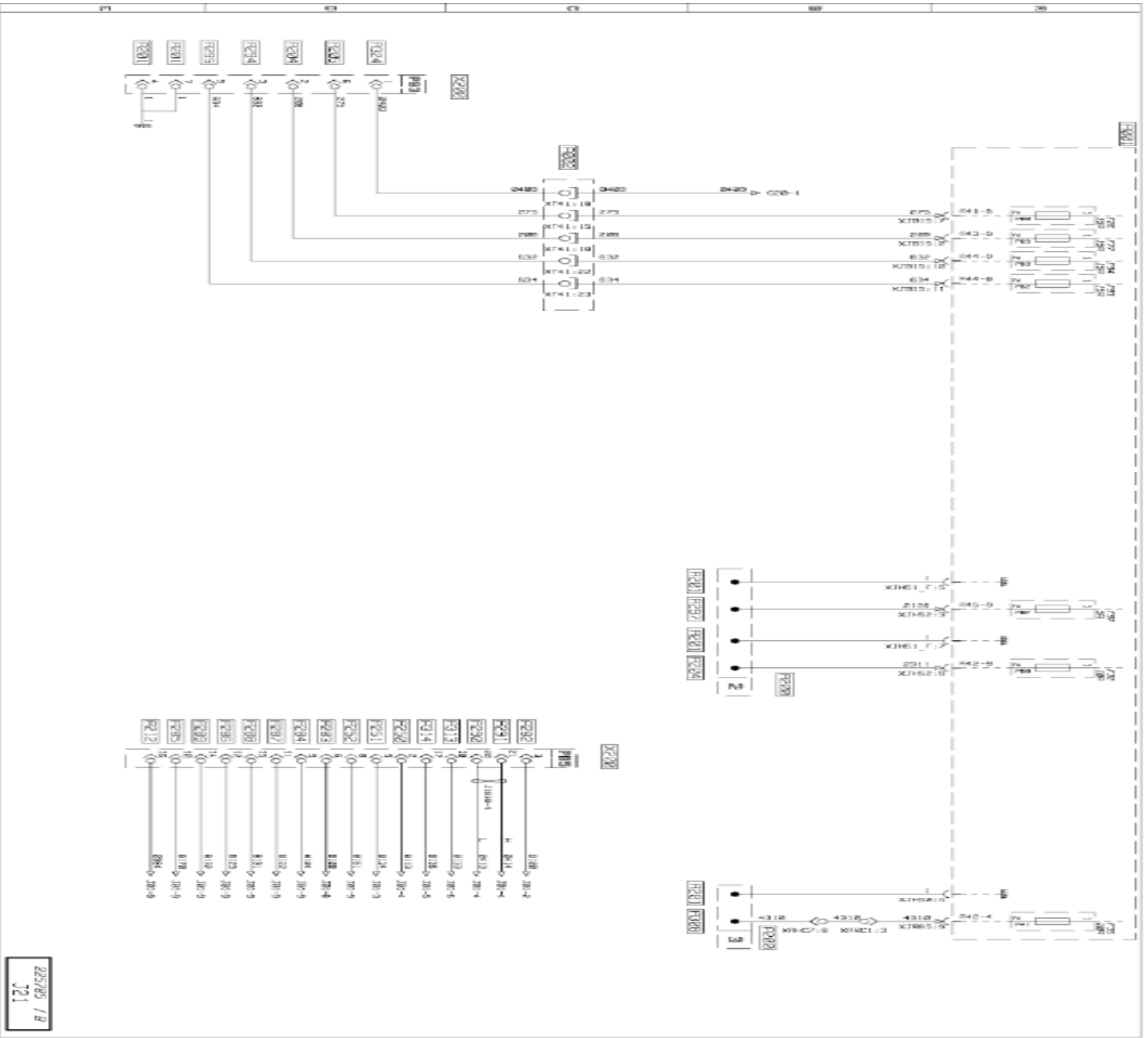
225285 / B
220

Available power supplies (2/2)

Key to appliances

Code	Function	Location
A001	Cab electrical distribution box	B2c
A002	Chassis-cab connection box	B2c
A200	Available power supply (insulated cut wires)	B2c
A201	Available power supply (vehicle earth)	B2c
A204	Available power supply (after master switch)	B2c
A205	Available power supply (after ignition)	C5d
A212	Available power supply (engine speed)	B2c
A250	Available power supply (PTO 2 control)	B2c
A251	Available power supply (PTO 2 warning light)	B2c
A252	Available power supply (PTO 2 solenoid valve piloting)	B2c
A282	Available power supply (engine start control)	B2c
A283	Available power supply (engine starting information)	B2c
A284	Available power supply (engine alert)	B2c
A285	Available power supply (parameter definable frequency-related output)	B2c
A286	Available power supply (PLC 2 min. output)	B2c
A287	Available power supply (PLC 1 min. output)	B2c
A288	Available power supply (PLC 1 min. input)	B2c
A289	Available power supply (PLC 2 min. input)	B2c
A290	Available power supply (high level CAN bus J1939)	B2c
A291	Available power supply (low level CAN bus J1939)	B2c
A294	Available power supply (LH rear marker light(s))	C5d
A295	Available power supply (RH rear marker light(s))	C5d
A297	Available power supply (night lighting)	B2c
A308	Pre-arrangement for onboard management (screen and keyboard)	C2a
A313	Available power supply (CAN bus disabling)	B2c
A314	Available power supply (engine speed set-point validation)	B2c
A324	Available power supply (rigid perimetric protection module)	C5d
X200	Available power supplies connector	B2c

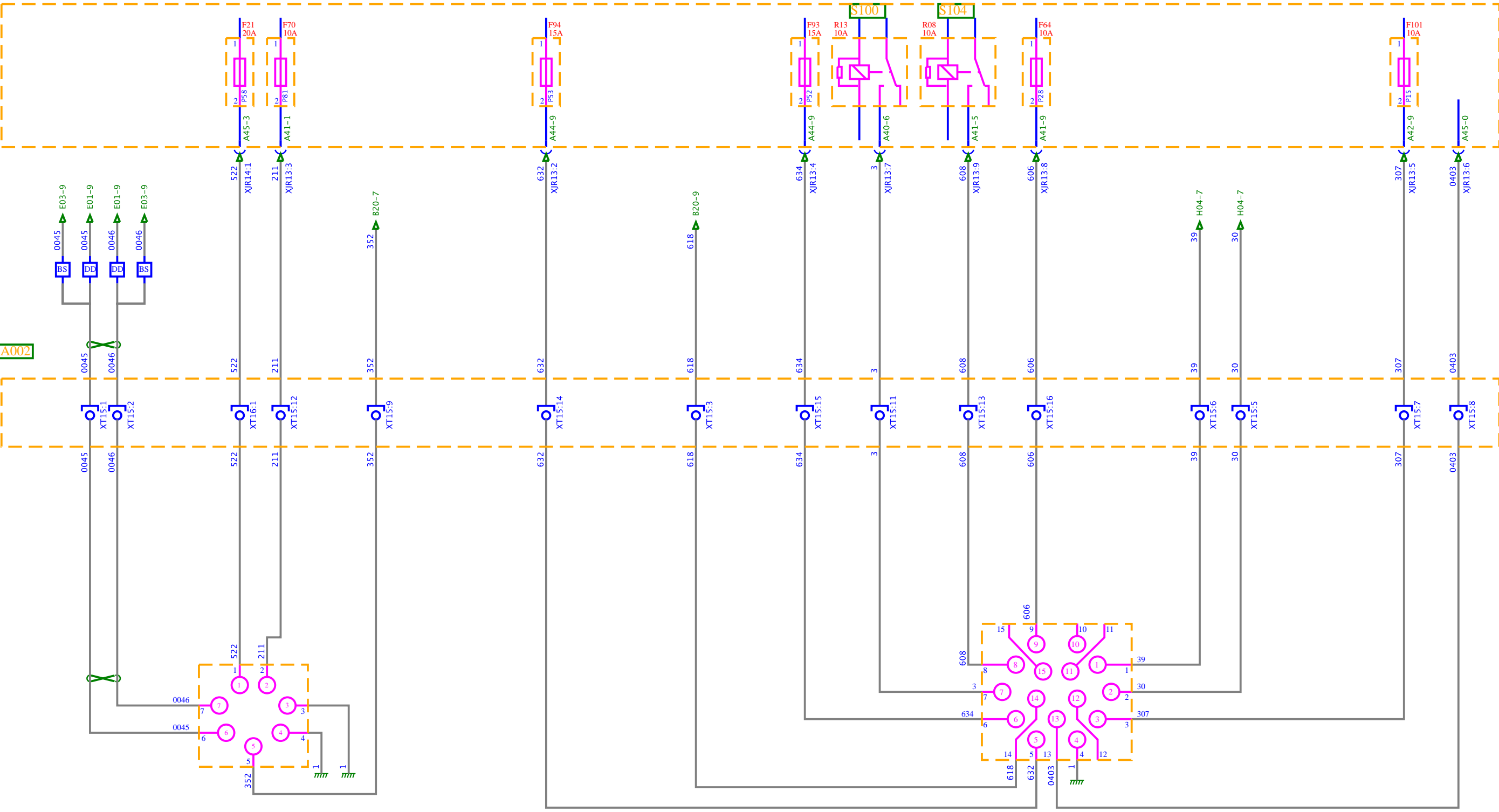
Available power supplies (2/2)



22525 / B
21

A001

A002



X906

X900



Trailer sockets

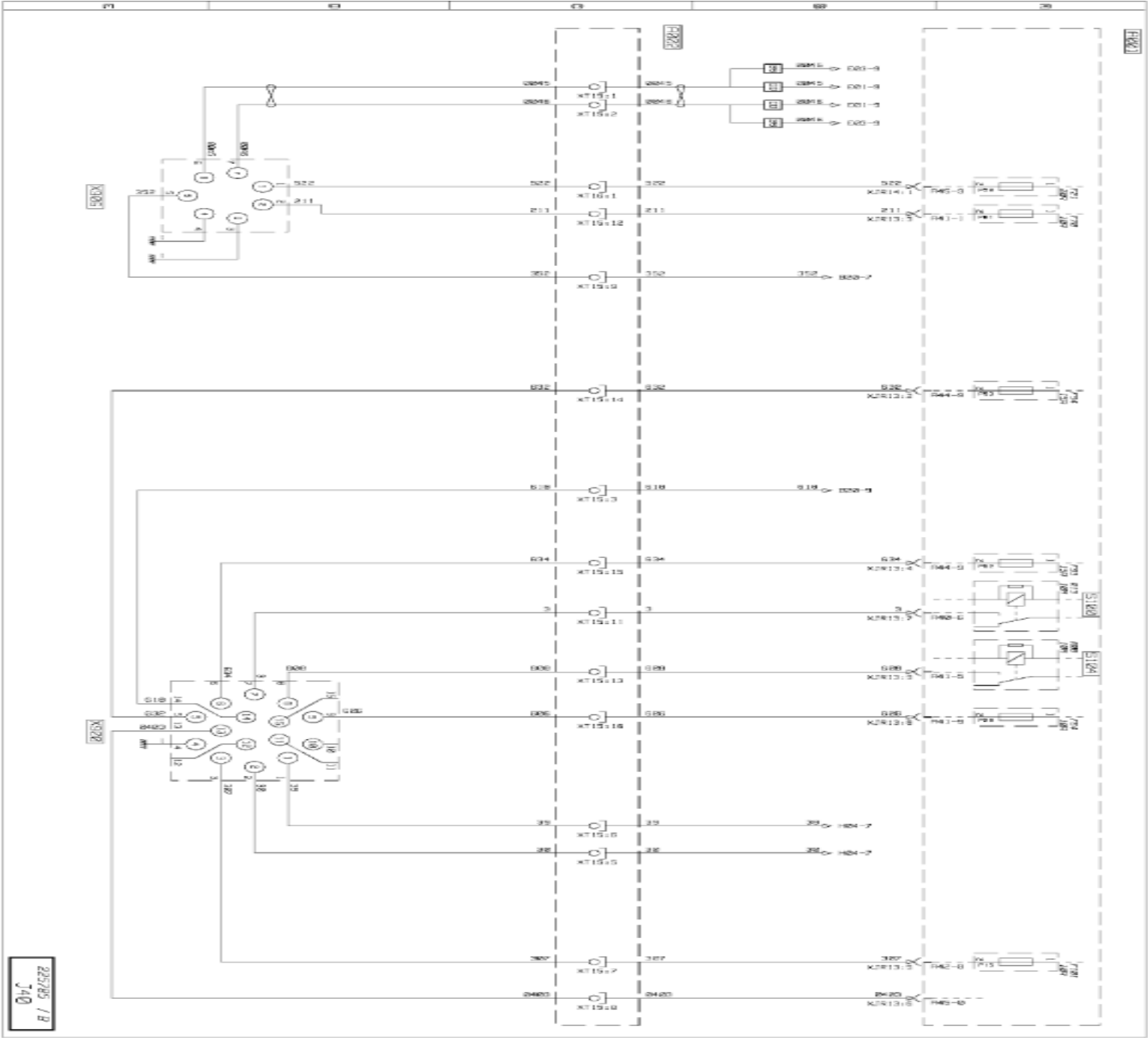
Key to appliances

Code	Function	Location
A001	Cab electrical distribution box	B2c
A002	Chassis-cab connection box	B2c
S100	Stop lights power supply relay	B2c
S104	Reversing lights power supply relay	B2c
X900	15-pin trailer socket	B4b
X906	ABS/EBS trailer socket	B4b

BS: 4x2 vehicles

DD: 6x2 vehicles

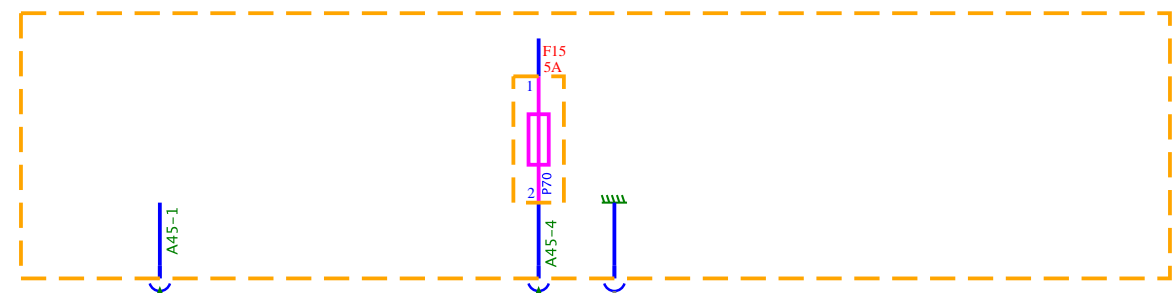
Trailer sockets



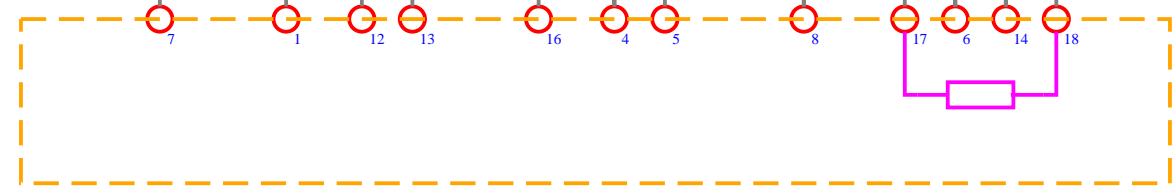
22525 / B
J40



A001



X913



Diagnostic socket

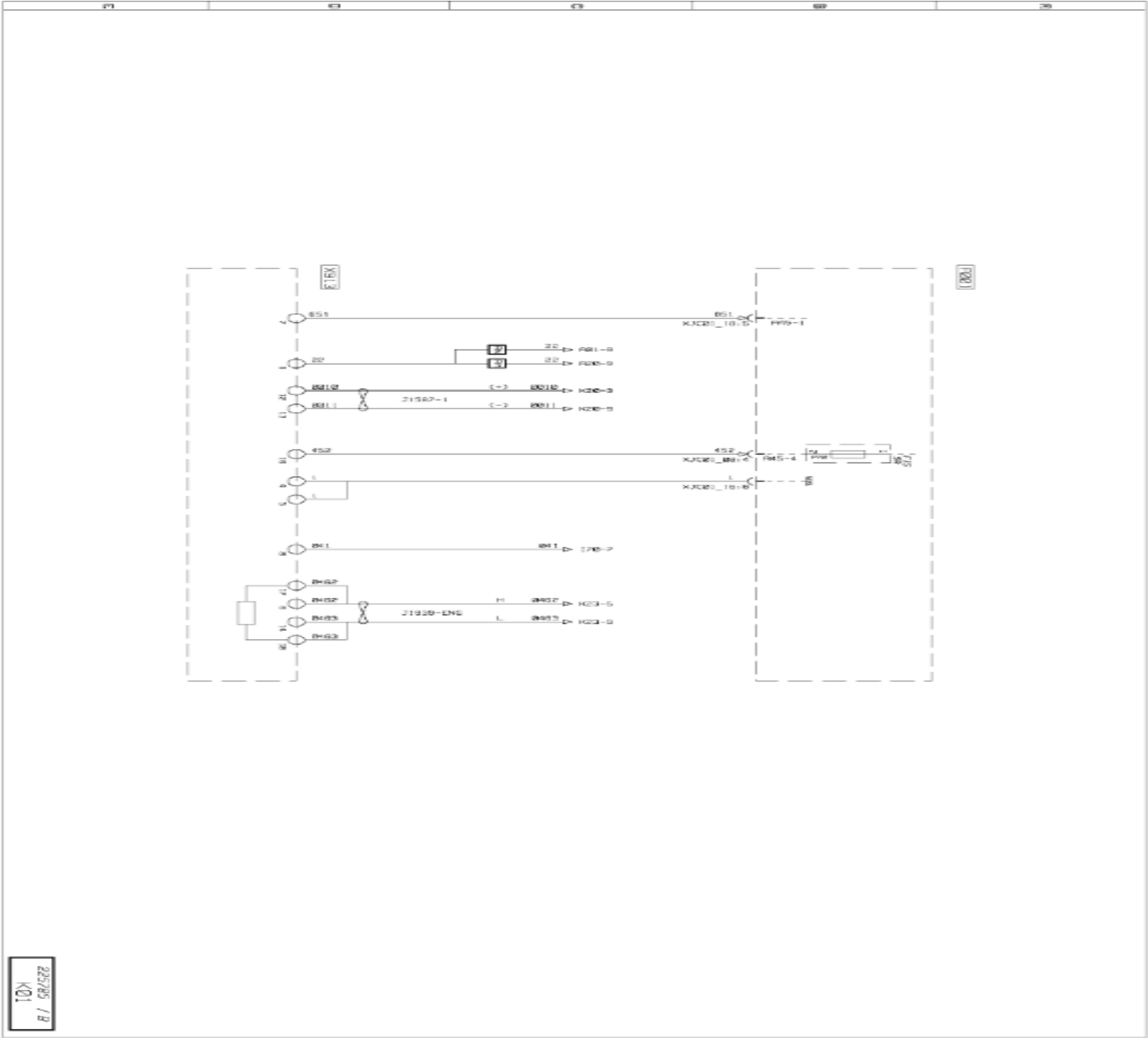
Key to appliances

Code	Function	Location
A001	Cab electrical distribution box	B2c
X913	Vehicle diagnostic socket	C3c

AM: with ADR equipment

AN: without ADR equipment

Diagnostic socket



225785 / B
K01

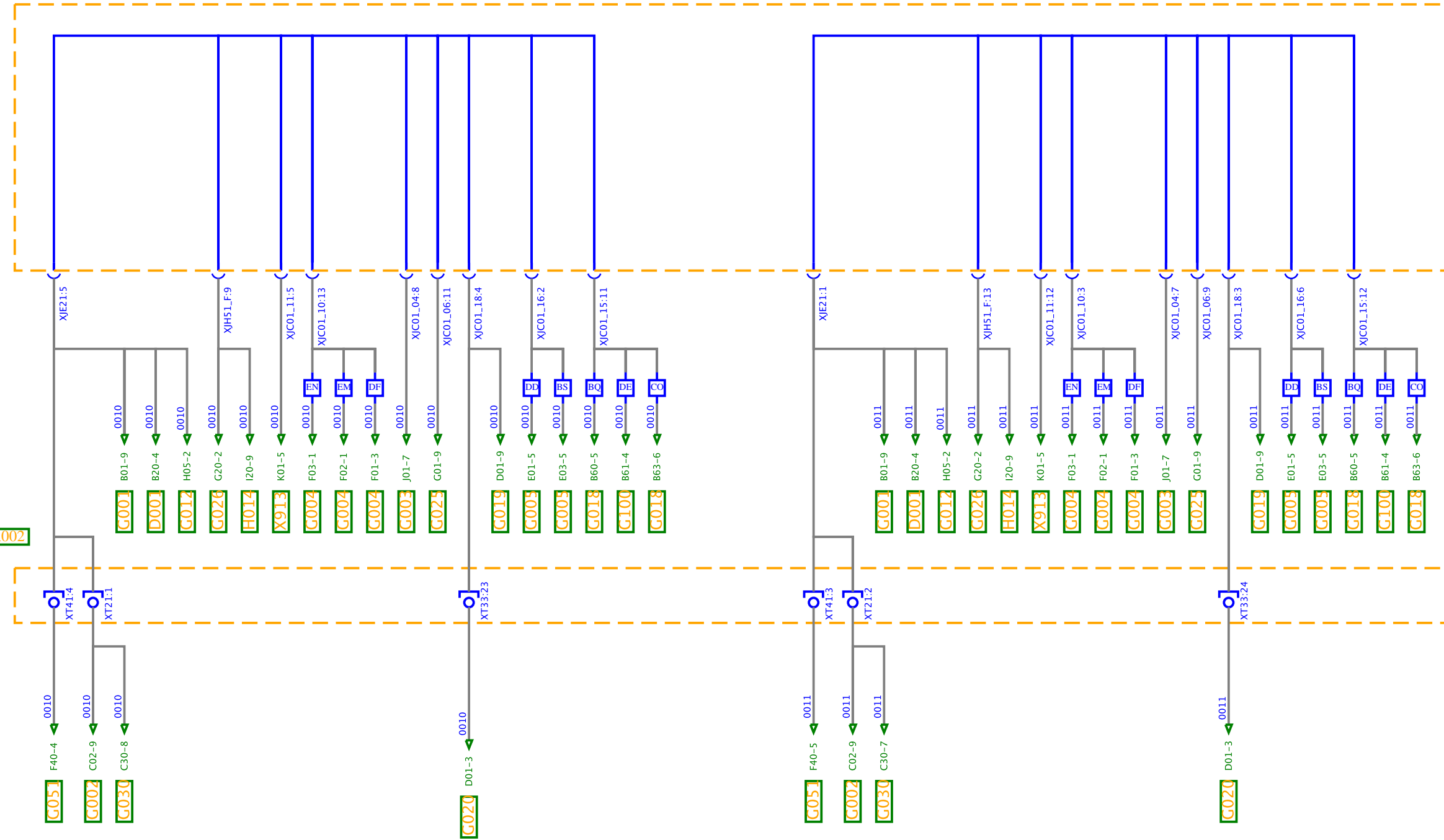
J1587-1

(+)

(-)

A001

A002



CAN BUS transfer zone J1587-1

Key to appliances

Code	Function	Location
A001	Cab electrical distribution box	B2c
A002	Chassis-cab connection box	B2c
D001	Principal information display	C2b
G001	Vehicle management ECU	B2c
G002	Engine management ECU	B3c
G003	Bodybuilder pre-arrangement management ECU	B2c
G004	Air suspension ECU	B2b
G005	EBS braking management ECU	B2b
G012	Lighting and signalling management ECU	B2c
G018	Onboard management interface ECU	B2b
G019	Gear selector ECU	C2b
G020	Automatic transmission ECU	C4d
G025	Engine immobilizer ECU	C2c
G026	Alarm ECU	C1a
G030	AdBlue supply management pump module	C4d
G051	Air production management ECU	C4d
G100	Datamax gateway ECU	C2b
H014	Radio set	C2a
X913	Vehicle diagnostic socket	C2c

BQ: with **FMS** equipment

CO: with **OPTIFLEET** equipment

DE: with **DATAMAX** equipment

BS: **4x2** vehicles

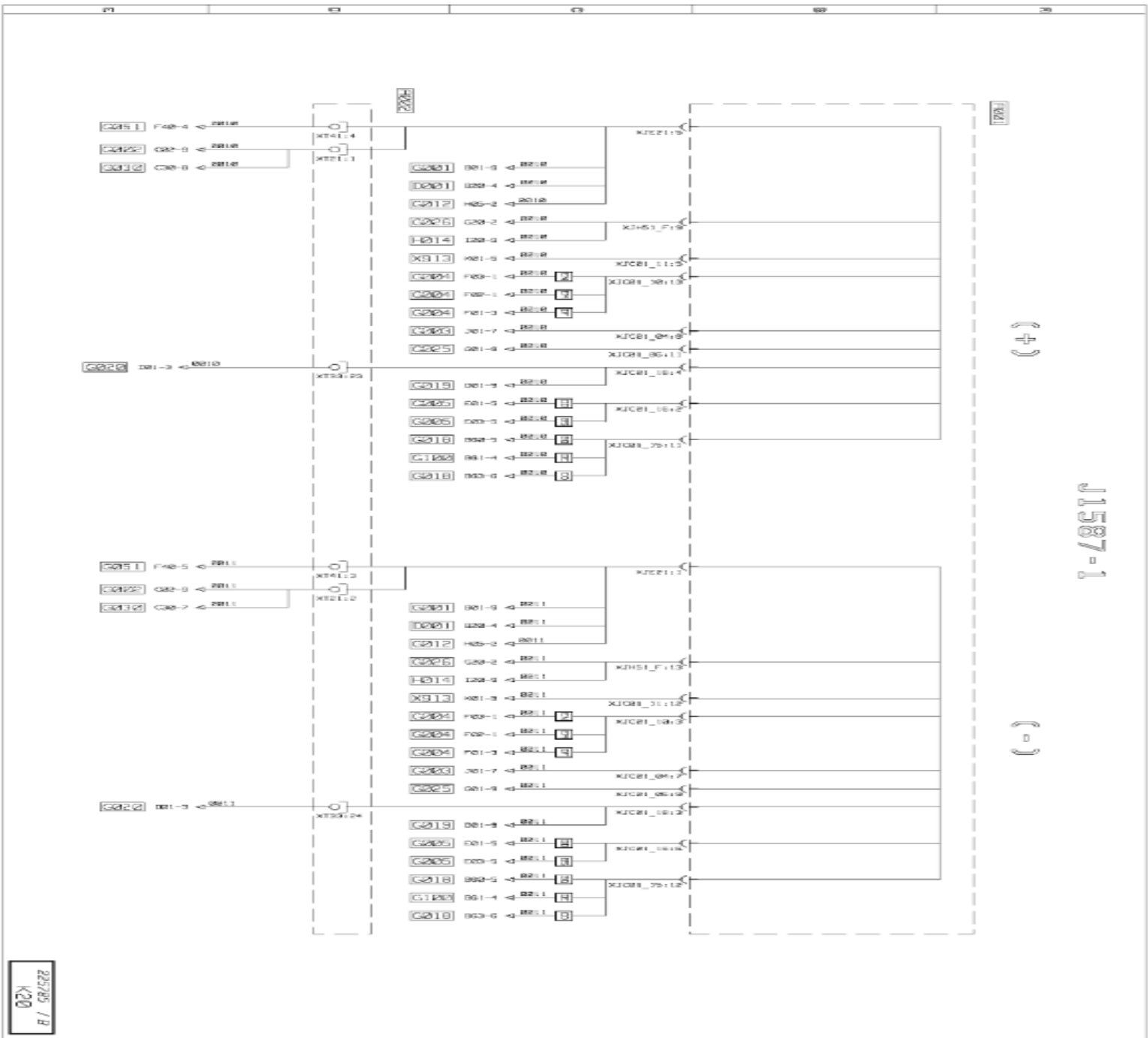
DD: **6x2** vehicles

DF: with electronic air suspension tractor vehicle **4x2**

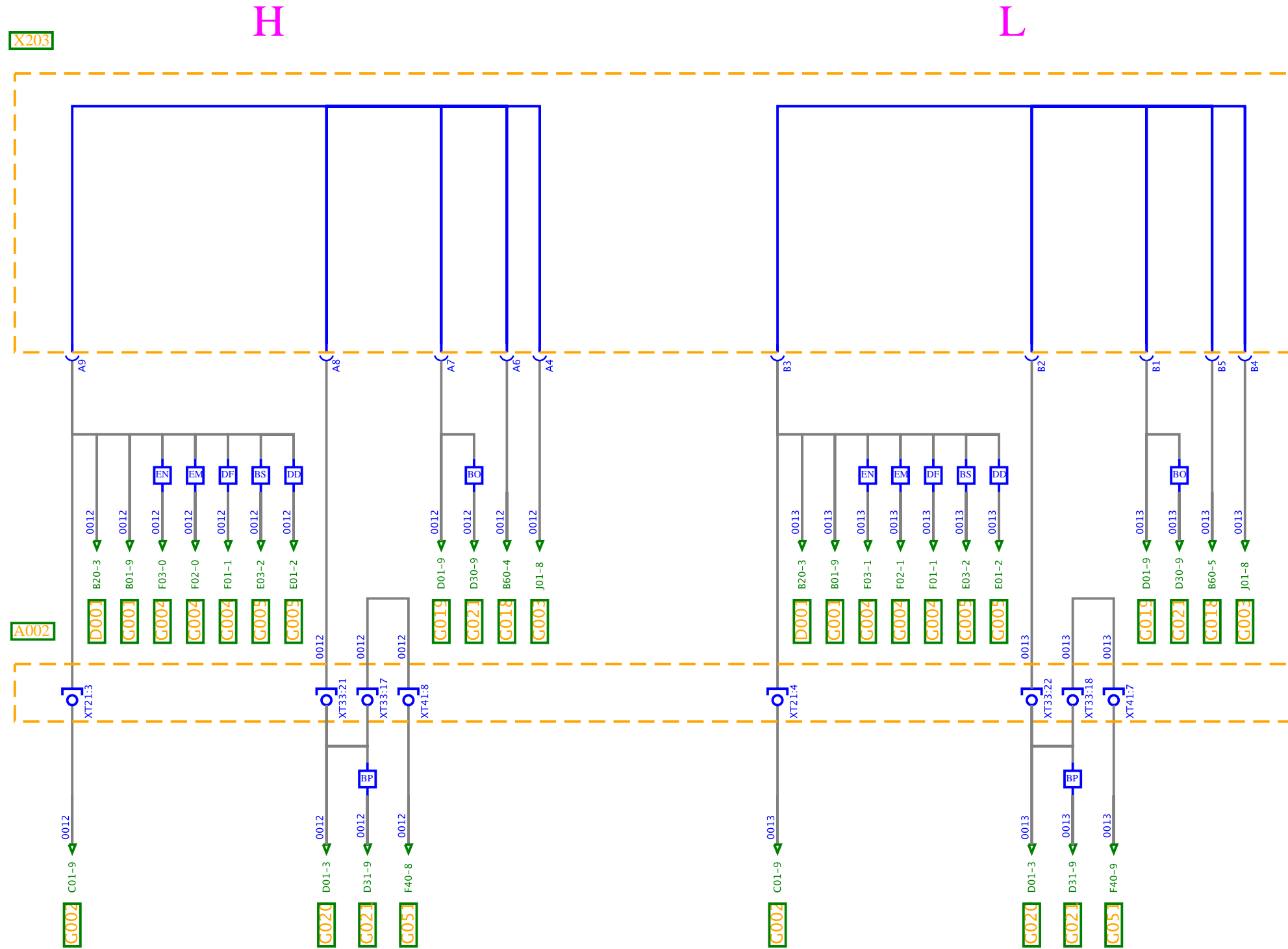
EM: with **4x2 - 6x2** vehicle rear electronic air suspension

EN: with **4x2 - 6x2** vehicle integral electronic air suspension

CAN BUS transfer zone J1587-1



CAN J1939-1



CAN BUS transfer zone J1939-1

Key to appliances

Code	Function	Location
A002	Chassis-cab connection box	B2c
D001	Principal information display	C2b
G001	Vehicle management ECU	B2c
G002	Engine management ECU	B3c
G003	Bodybuilder pre-arrangement management ECU	B2c
G004	Air suspension ECU	B2b
G005	EBS braking management ECU	B2b
G018	Onboard management interface ECU	B2b
G019	Gear selector ECU	C2b
G020	Automatic transmission ECU	C4d
G021	Hydraulic retarder ECU	B2c
G051	Air production management ECU	C4d
X203	CAN bus grouping connector	B2c

BO: with ECOSPLIT 2 hydraulic retarder

BP: with ECOSPLIT 4 hydraulic retarder

BS: 4x2 vehicles

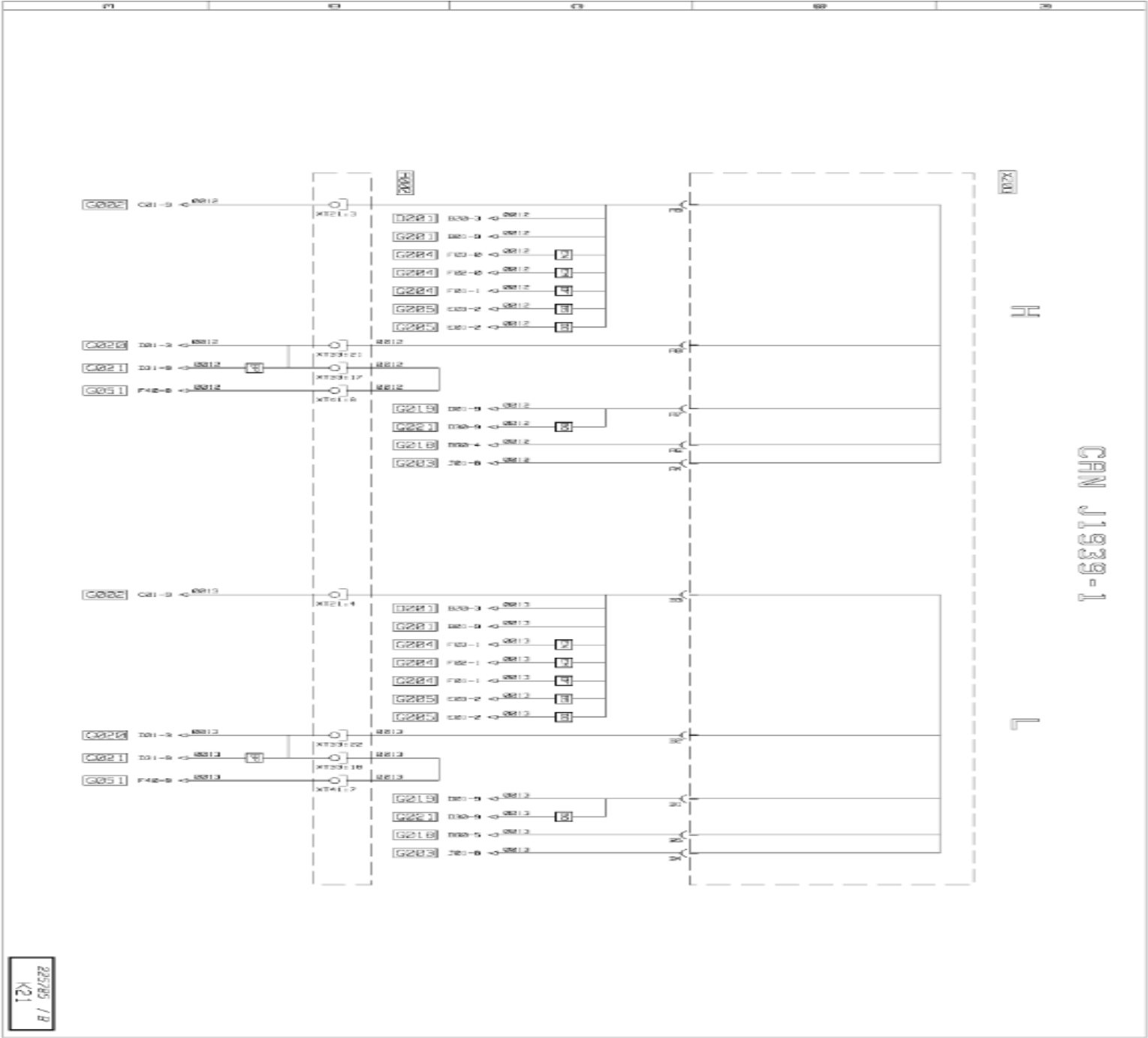
DD: 6x2 vehicles

DF: with electronic air suspension tractor vehicle 4x2

EM: with 4x2 - 6x2 vehicle rear electronic air suspension

EN: with 4x2 - 6x2 vehicle integral electronic air suspension

CAN BUS transfer zone J1939-1

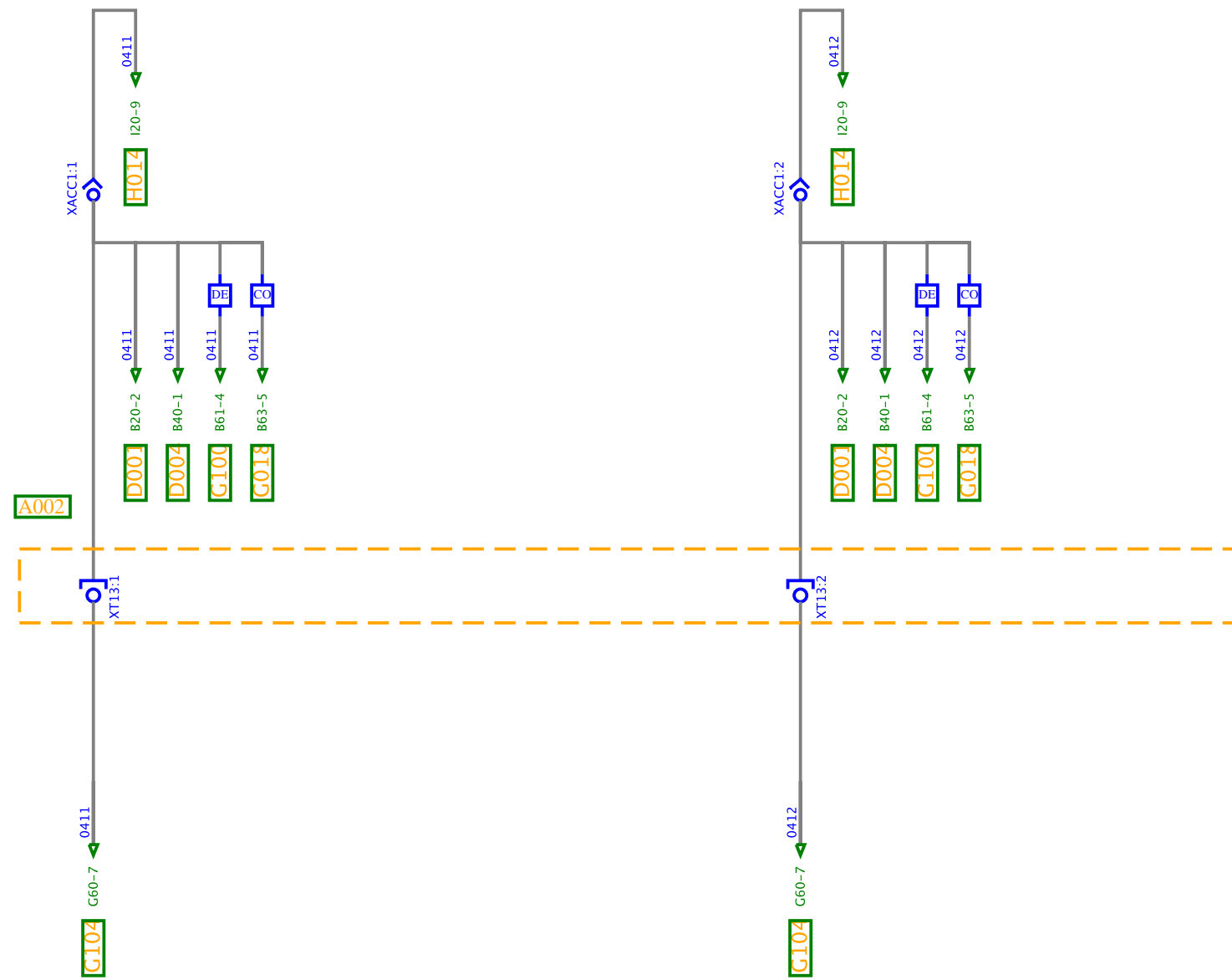


22525 / B
K21

CAN J1939-2

H

L



CAN BUS transfer zone J1939-2

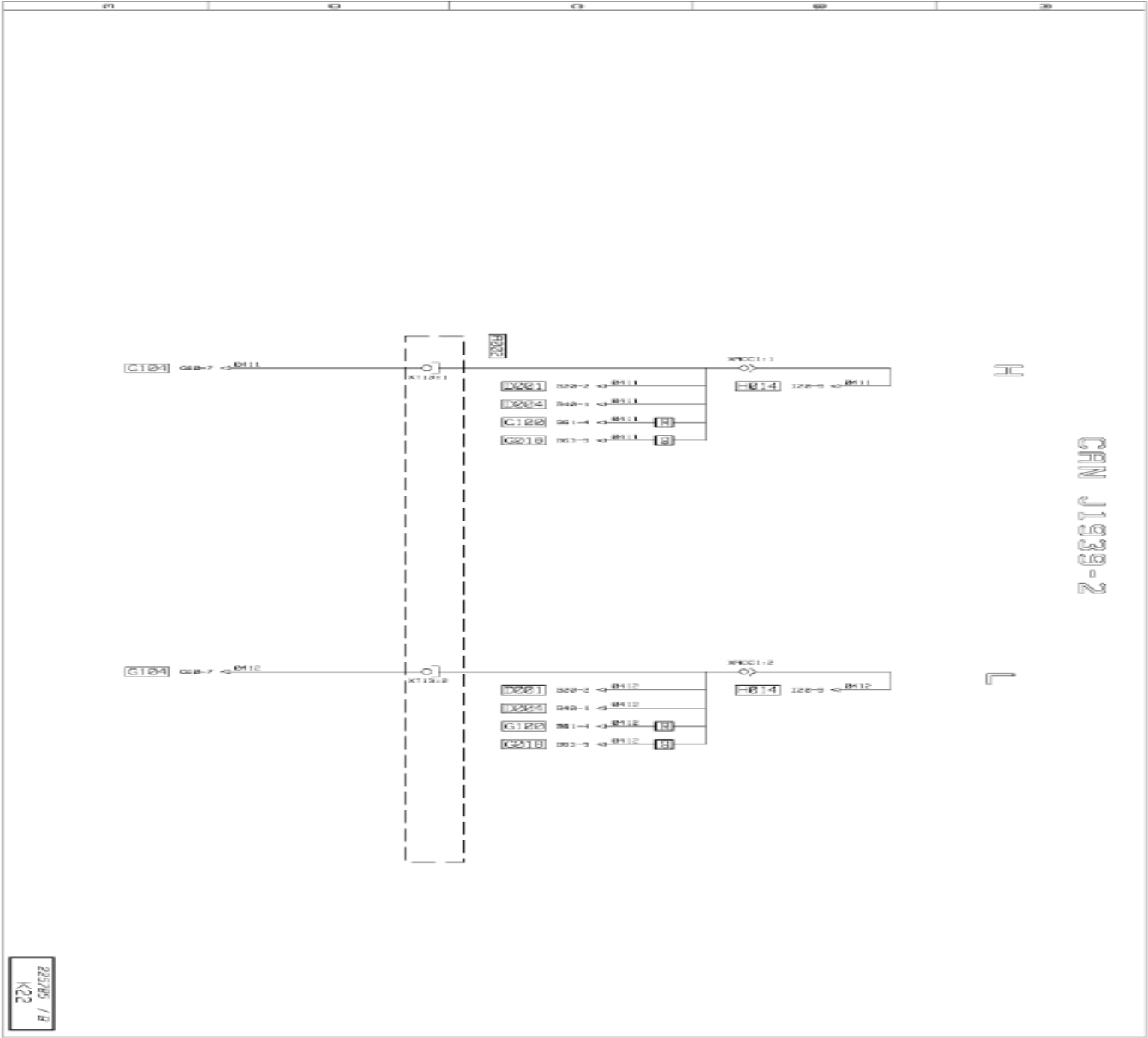
Key to appliances

Code	Function	Location
A002	Chassis-cab connection box	B2c
D001	Principal information display	C2b
D004	Tachograph	C2b
G018	Onboard management interface ECU	B2b
G100	Datamax gateway ECU	C2b
G104	Tyre pressures monitoring ECU	B7d
H014	Radio set	C2a

CO: with OPTIFLEET equipment

DE: with DATAMAX equipment

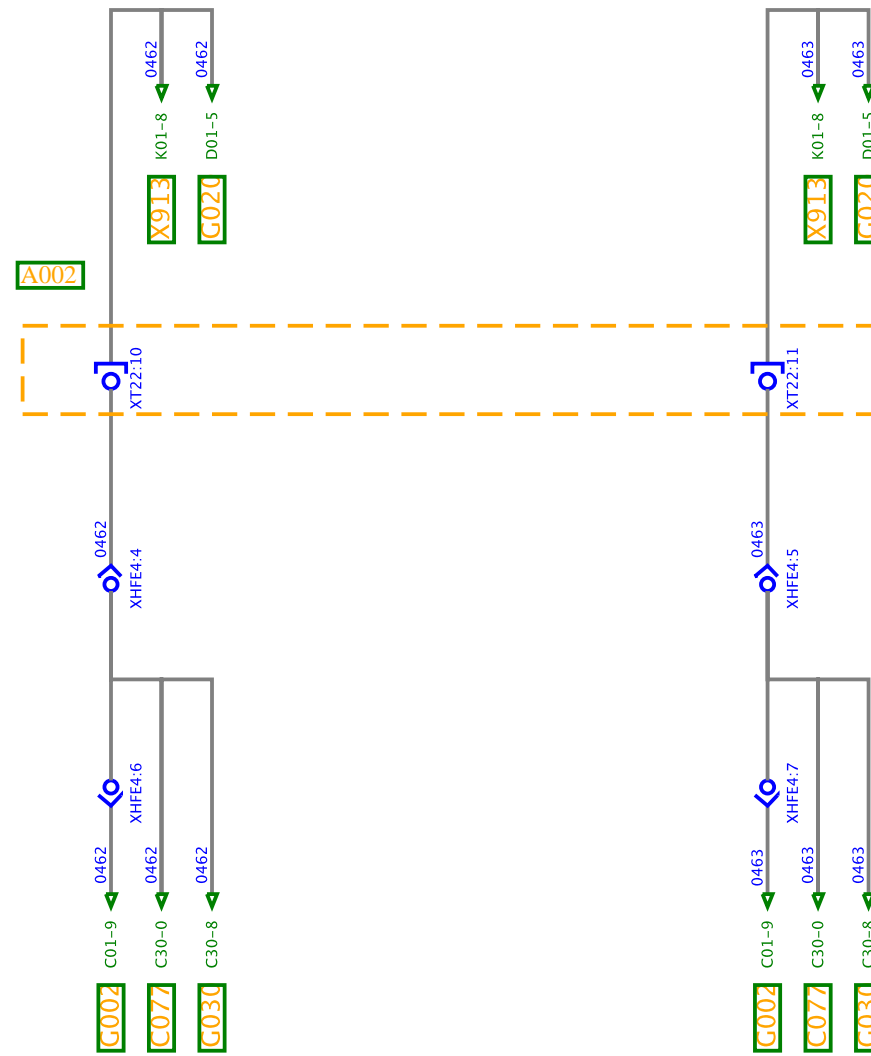
CAN BUS transfer zone J1939-2



CAN J1939-ENG

H

L



CAN BUS transfer zone J1939-ENG

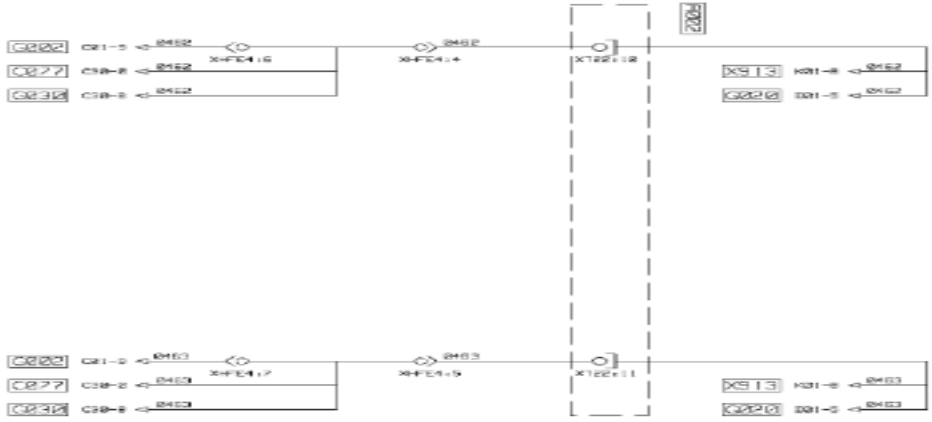
Key to appliances

Code	Function	Location
A002	Chassis-cab connection box	B2c
C077	Nitrogen oxides gases concentration sensor	C4d
G002	Engine management ECU	B3c
G020	Automatic transmission ECU	B3d
G030	AdBlue supply management pump module	C4d
X913	Vehicle diagnostic socket	C2c

CAN BUS transfer zone J1939-ENG

CRN J1939-ENG

H L



225785 / B
K23