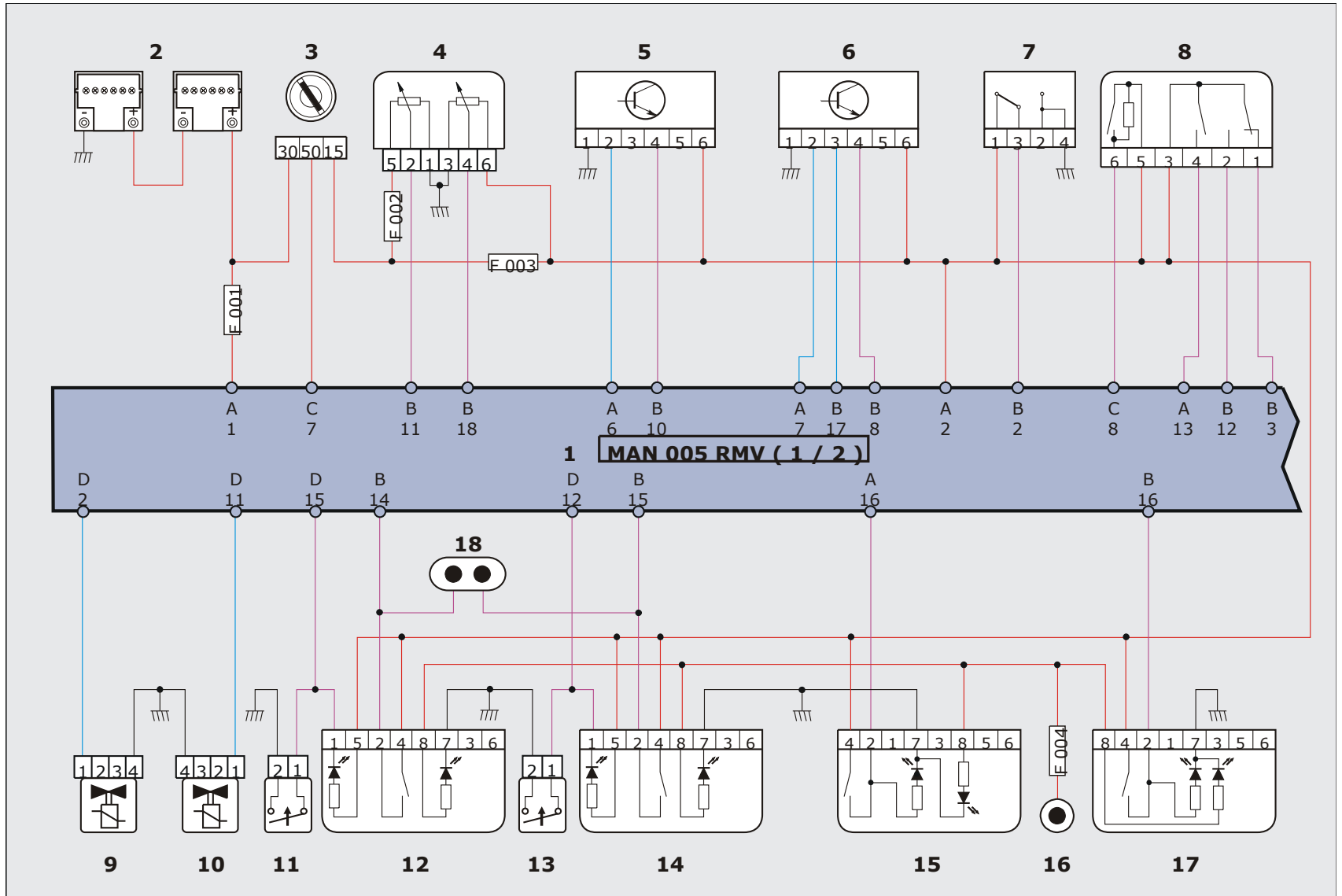
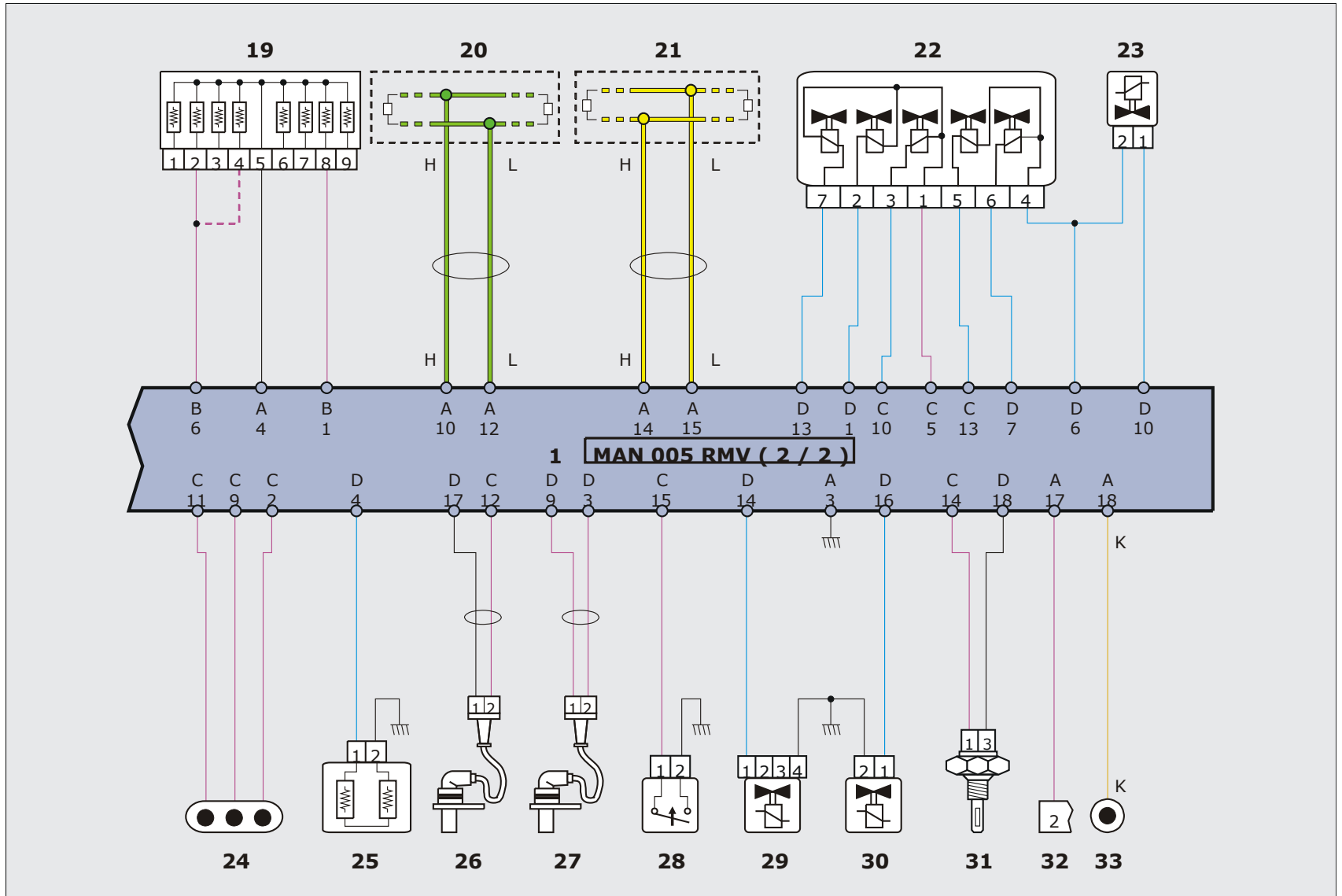


Truck/MAN/TG-A/310/Truck/D 2866 /[--/99>--/07]
 VDO/FFR Vehicle-Engine (Navigator)/-/-/With manual gearbox ZF and take-offs



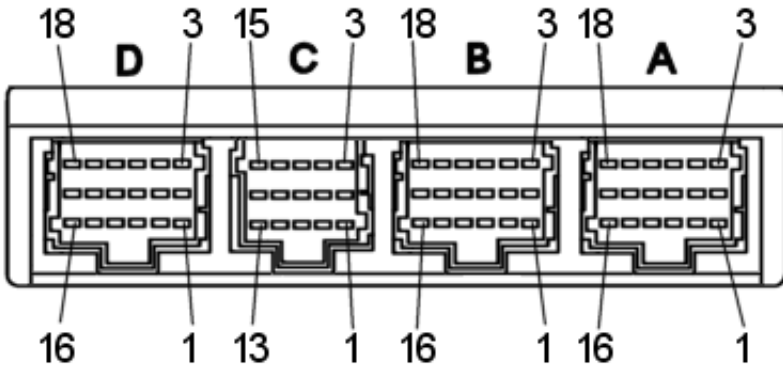
Truck/MAN/TG-A/310/Truck/D 2866 /[--/99>--/07]
 VDO/FFR Vehicle-Engine (Navigator)/-/-/With manual gearbox ZF and take-offs



Component list**Truck/MAN/TG-A/310/Truck/D 2866 /[--/99>--/07]****VDO/FFR Vehicle-Engine (Navigator)/-/-/With manual gearbox ZF and take-offs**

001	Vehicle Engine Control ECU
002	Starting battery
003	Ignition Switch
004	Accelerator pedal position sensor
005	Retarder Lever
006	Cruise Control switch
007	Parking brake switch
008	Shift lever switch
009	Switch Plug no.1 for force socket insetion
010	Switch Plug no.2 for force socket insetion
011	Take off control switch n. 1
012	Take off switch n.1
013	Take off control switch n. 2
014	Take off switch n.2
015	Cruise control switch
016	Connection to taillight signal
017	FGR / FGB switch
018	Link to the additional heating cut-off device TRS
019	Resistor Unit
020	Engine BUS CAN line
021	BUS CAN transmission line
022	Gear range solenoid valve unit
023	Servoclutch solenoid valve
024	ZDR interface link
025	Thermostats heating resistance
026	Clutch revolutions sensor
027	Clutch end stroke sensor
028	Neutral position switch
029	Engine brake solenoid valve
030	Engine cooling solenoid valve
031	Outside air temperature sensor
032	Immobilizer ECU plug
033	Connection with diagnosis socket
F 001	Value not available
F 002	Value not available
F 003	Value not available

F 004	Value not available
-------	---------------------



A=18 Pin (X1)
B=18 Pin (X2)
C=15 Pin (X3)
D=18 Pin (X4)
ECU Pin configuration