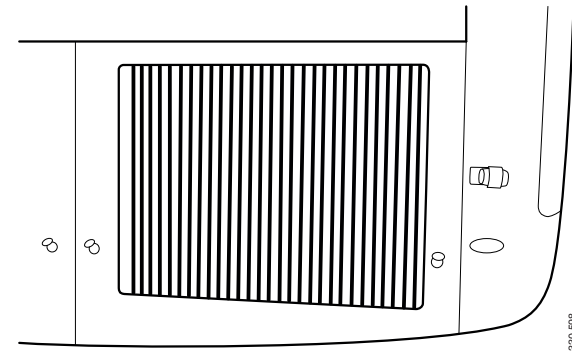
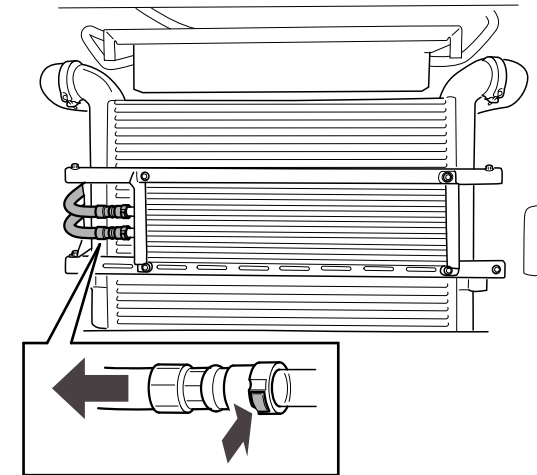


Removal

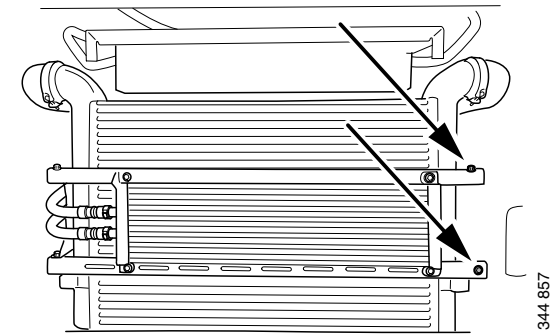
1. Open the hatch.



2. Detach the hoses and catch the oil with a container.



3. Remove the screws.



4. Remove the screws and lift the radiator off.

