

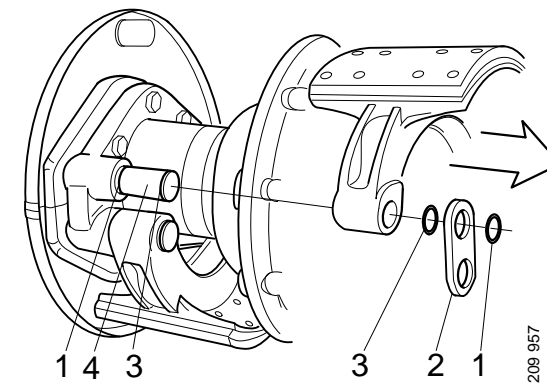
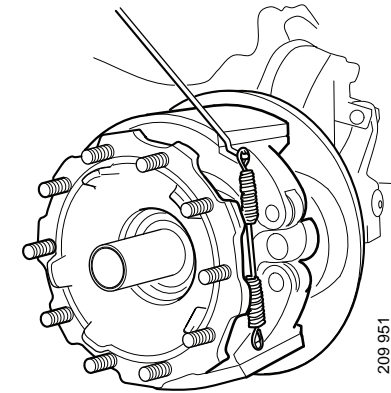
Tools

Examples of suitable tools from Scania:

Part number	Designation
87 015	Assembly tool

Work description

1. Clean the brake drum and brake shoes.
2. Remove the return spring using tool 87 015 or a small crowbar.
3. Remove the retaining rings, washers and O-rings from the anchor bolts.
4. Open out the brake shoes and pull them off the anchor bolts. On certain vehicles, in order to be able to pull off the brake shoes, it may be necessary to turn the hub so that the brake shoe bearing fits in between wheel bolt heads.
5. Remove the inner O-rings on the anchor bolts.



1. Retaining ring
2. Washer
3. O-ring
4. Anchor bolt