

Work description

Seats

BeGe

Seat assembly

1. Tap down the lock tabs on the seat base and turn the pins 90 degrees, pull out the pins.
2. Remove the electrical connections to the seat base and backrest heaters.¹
3. Lift the seat straight up and take it out of the cab.

Seat base, G and P cabs

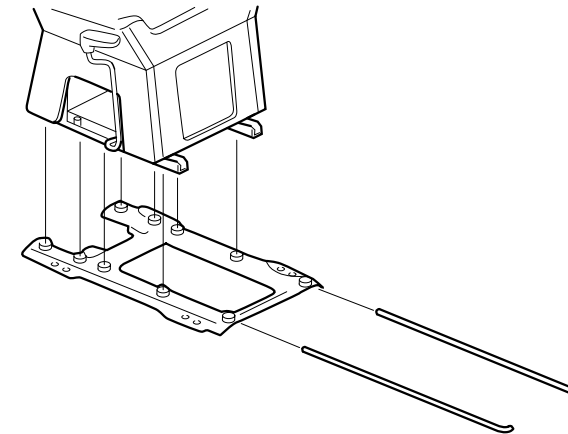
Remove the parts as follows:

1. Start with the seat, according to the instructions above.
2. Upper side covers and handle.
3. Back cover.
4. Gas spring.
5. Seat and electrical connection.
6. Slide rail and slide rail release.

Seat base, R and T cabs

Remove the parts as follows:

1. Start with the seat, according to the instructions above.
2. Lower and upper covers and handle.
3. Back cover.



1. Option



Removing fixtures and fittings

4. Gas spring.
5. Seat and electrical connection.
6. Upper seat base.
7. Slide rail and slide rail release.

Isringhausen

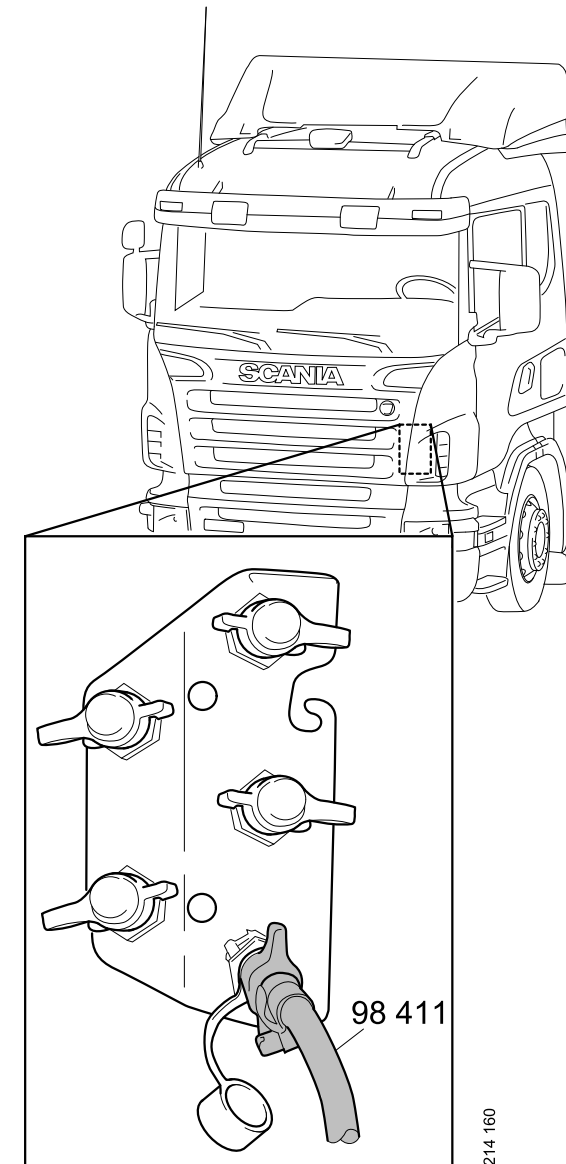
Seat assembly



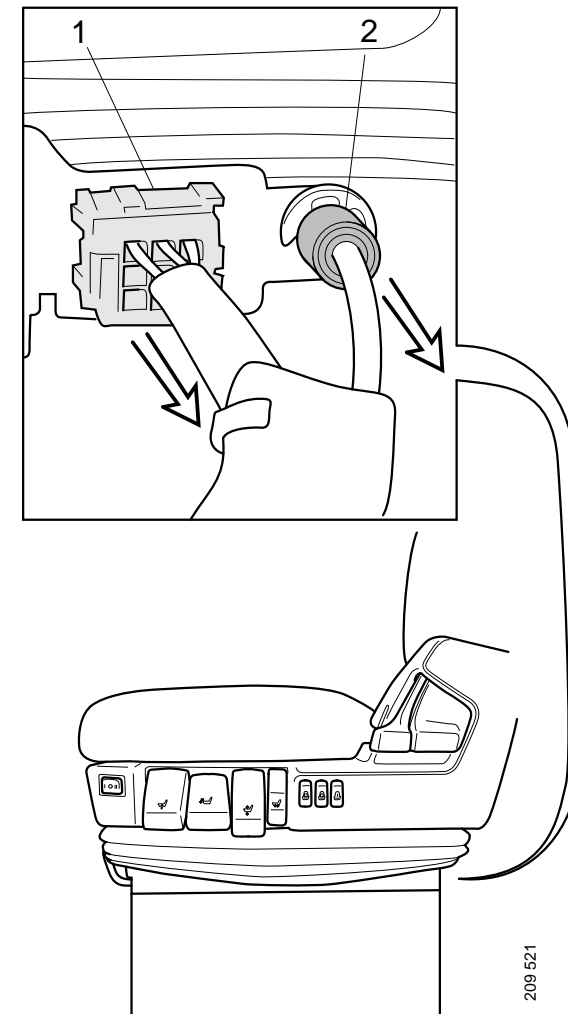
WARNING!

Release the air pressure in the seat before starting work.

1. Connect tool 98 411 to the compressed air circuit for accessory systems and empty the air from the compressed air circuit for accessory systems.



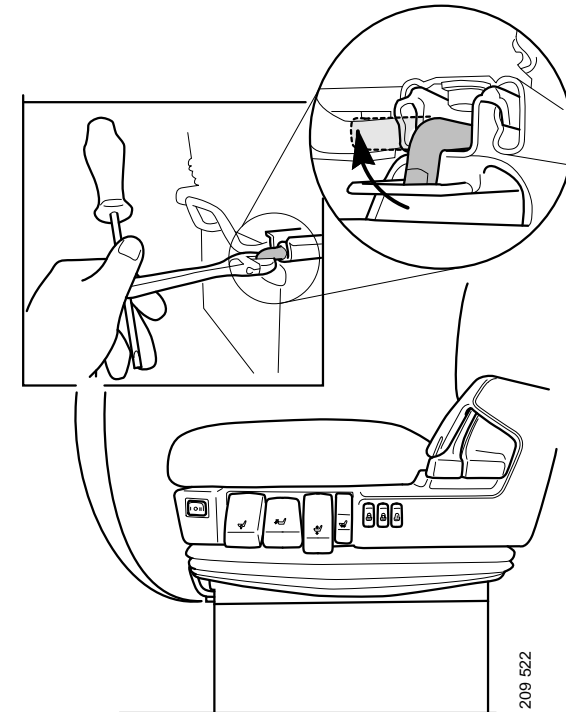
2. Slide the seat forwards.
3. Disconnect electrical connector (1) and remove the air hose from the quick release coupling (2) by first pressing the inner ring inwards and then pulling out the hose.



1. Contact housing
2. Quick release coupling for compressed air input

209 521

4. Turn the lock pins 90 degrees and remove them. Use water pump pliers or an adjustable spanner and screwdriver.
5. Lift the seat out of the cab.



Side casing with button panel

Remove the parts in the following order:

1. Seat squab.
2. Screw (4) in the front casing and plugs (1) in the rear casing.
3. Screws (2) and (3) in the side casing.
4. Pull both backrest controls upwards and remove the side casing at the same time.
5. LS-valve (7). Undo retaining screw on inside of casing.
6. Switch (8) for electric heater.¹

Note:

When the backrest control is in the raised position, the backrest is not secured.

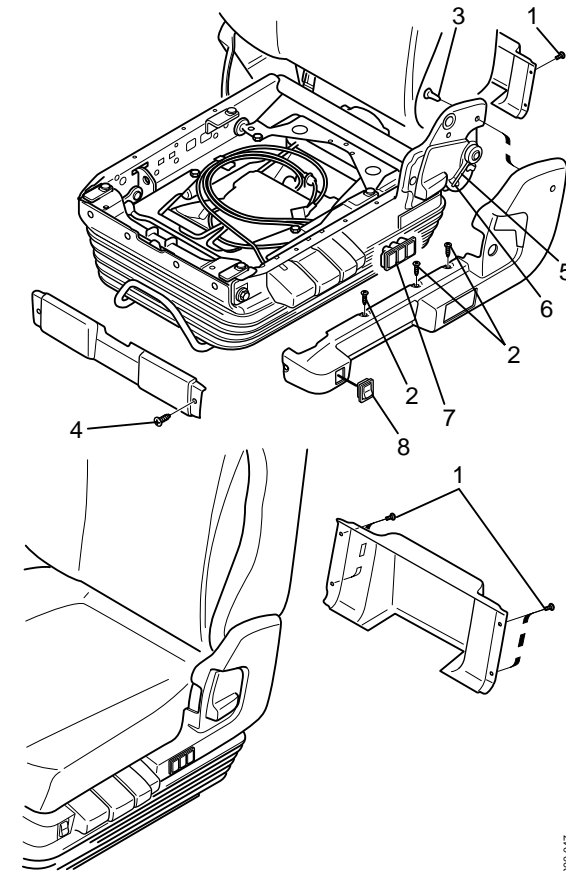
Side casing without button panel

1. Remove the seat squab.
2. Undo the screws (2).
3. Remove the buckle and electrical connector.
4. Move the backrest to its farthest forward position and undo the screw (3) from the inside.

Front and rear casings

1. The front casing is removed by undoing both screws (4).
2. The rear casing is removed by removing the 4 plastic plugs (1). This is done by first poking out the pin in the middle with a small screwdriver or similar.

1. Option



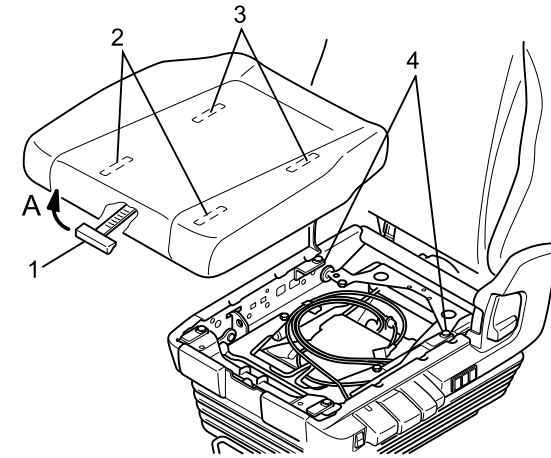
1. Plastic plug, 4 off
2. Screws, 3 off
3. Screw
4. Screws, 2 off
5. Spring
6. Shaft
7. LS valve

200 047

Seat squab

Upholstery and heated seat pad

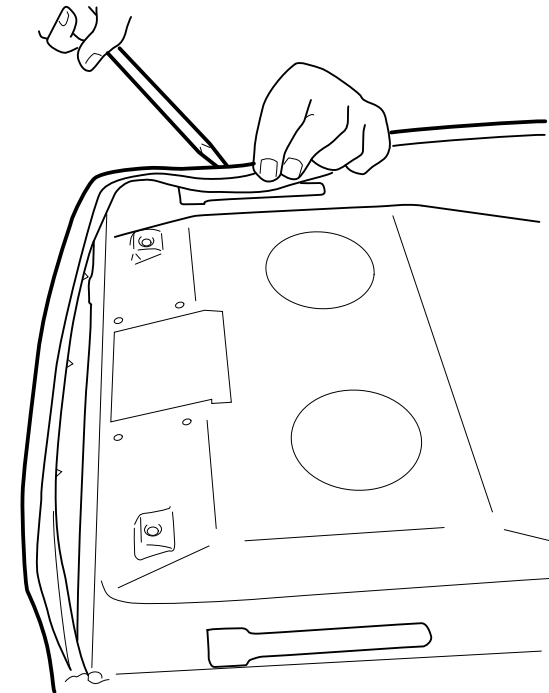
1. Use a flat screwdriver and loosen the upholstery at the rear edge of the squab.



Seat squab

- 1. Handle*
- 2. Front brackets*
- 3. Rear brackets*
- 4. Slider, 4 off*

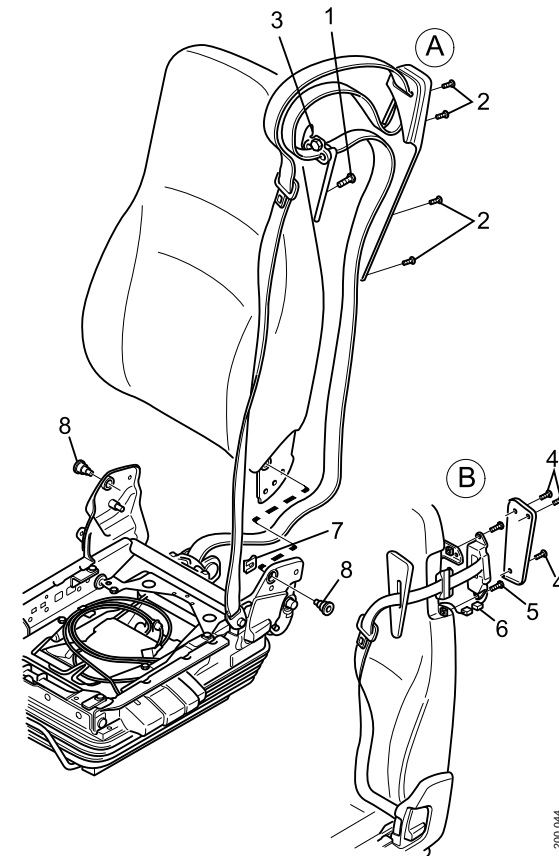
2. Move the screwdriver around the squab to completely release the upholstery.
3. Turn the squab and undo the hook and loop fastener used to attach the upholstery.



Backrest

Basic and Medium seats

1. Remove the seat squab and side casings.
2. Detach the electric heating connection for the backrest on the rear of the seat, the electrical connector for the belt pretensioner and the air hoses for the lumbar support, if fitted.
3. Remove the belt guide casing by undoing the screws (2).
4. Undo the screw (1) and remove the belt guide (3).
5. Fold the backrest forwards and remove the retaining plate (7) and undo the screws (8) on the same side as the buckle.
6. Pry apart the brackets at the screw holes (8) and lift out the backrest.

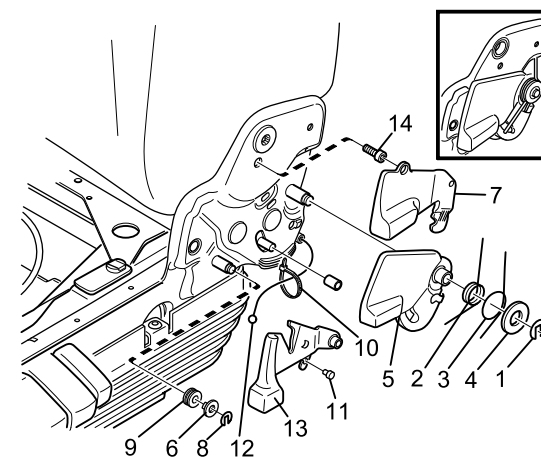


Basic and Medium seats (A), Luxury seat (B)

1. Screw
2. Screws, 4 off
3. Belt guide
4. Screws, 3 off
5. Screws, 2 off
6. Connector for belt pretensioner
7. Retaining plate
8. Screws, 2 off

Luxury seat

1. Remove the seat squab and the protective casings round the seat.
2. Remove the belt and its protective casings.
3. Lift up the backrest controls and remove the plastic plug locking the adjusting wire attachment for tilting the upper backrest. Detach the end of the wire.
4. Remove the retaining ring (8) and remove the wire from the guide (9).
5. Cut the cable tie (10).
6. Remove the retaining ring locking the wire at the hole in the seat frame and remove the wire.
7. Detach the electric heating connection for the backrest on the rear of the seat, the electrical connector for the belt pretensioner and the air hoses for the lumbar support, if fitted. Cut the cable tie.
8. Remove the lock tab (7) and unscrew the screws (8) and the lock plate on the same side as the buckle.
9. Pry apart the brackets at the screw holes (8) and lift out the backrest



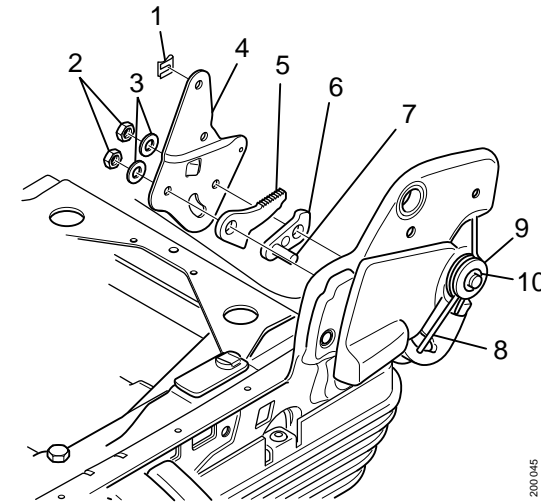
Backrest, luxury seat

1. Lock washer
2. Spring
3. Spring
4. Washer
5. Lever
6. Guide
7. Lever
8. Lock washer
9. Guide
10. Cable tie
11. Plastic plug
12. End of wire
13. Lever

Backrest locking device

All models:

1. Remove the seat squab and backrest.
2. Detach the spring (8) from the shaft (7).
3. Undo the nuts (2) and remove the washers (3).
4. Remove the metal plate (4), toothed segment (5) and securing plate (6).



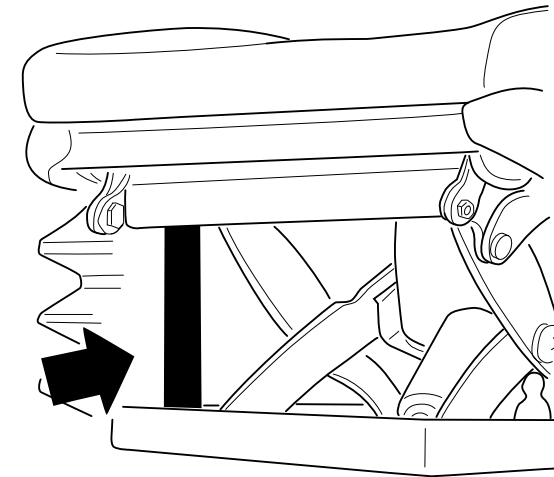
1. Locking clamp
2. Nuts, 2 off
3. Washers, 2 off
4. Metal plate
5. Toothed segment
6. Securing plate
7. Shaft
8. Spring
9. Washer
10. Lock washer

Shock absorbers



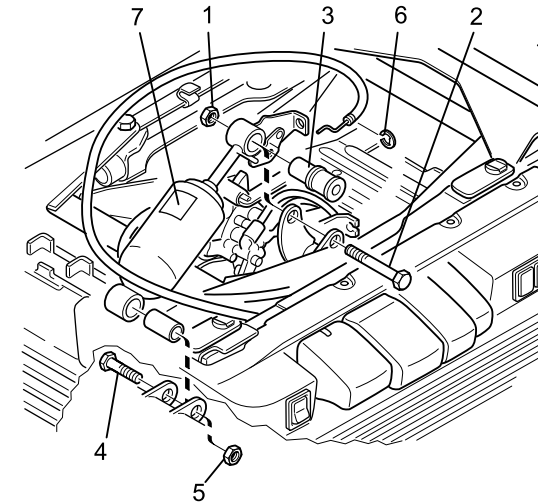
WARNING!

Secure the spring unit in its highest position with a strut.



Remove the parts as follows:

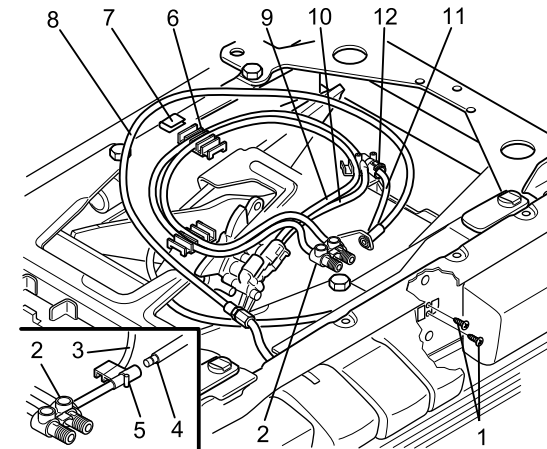
1. Seat squab.
2. Nut (1) and screw (2).
3. Lower attachment of protection boot.
4. Screw (4) and nut (5).
5. Wire cable with lock washer (6).



1. Nut
2. Screw
3. Sleeve
4. Screw
5. Nut
6. Lock washer
7. Marking

Hose package

1. Remove the control for the squab lowering valve.
2. Unscrew both screws (1) and loosen the valve from behind (2).
3. Undo the hose (3, transparent) from the connection on the back of the squab and the hose (4, lumbar support) from connection (5).
4. Undo the hose holder (6) from the clamp (7) and release the wire cable for the damping adjustment (8) from the holder (6).
5. Undo the hose (9, red) and the hose (10, yellow) from the valve for the height adjustment and the hose (11, yellow) from the Y coupling (12).



1. Screw, 2 off
2. Quick lowering valve
3. Hose, transparent
4. Hose, lumbar support
5. Connection
6. Hose holder
7. Clamp
8. Wire cable for damping adjustment
9. Hose, red
10. Hose, yellow
11. Hose, yellow (height adjustment)

Safety belt with belt pretensioner

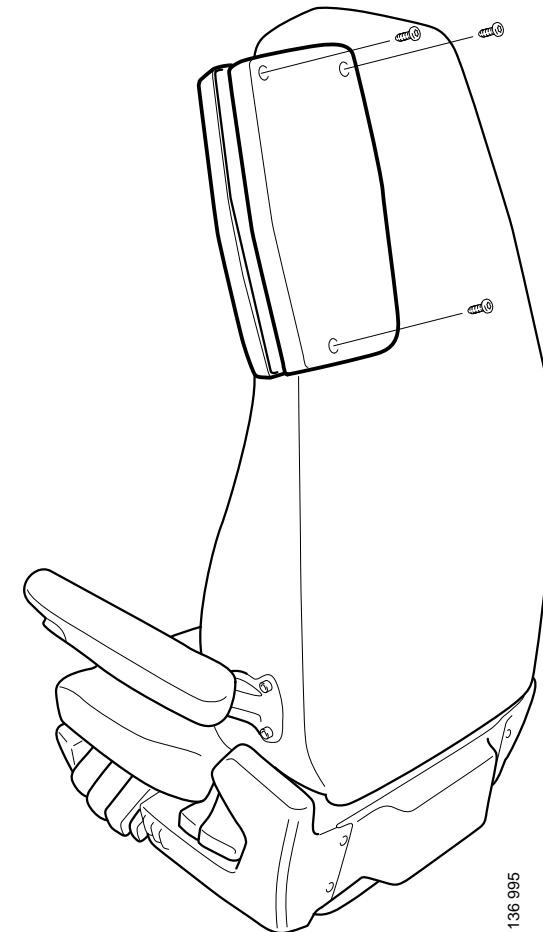


WARNING!

- Cut the power to the vehicle before starting work.
 - The belt pretensioner contains an explosive charge. Do not perform any other work besides that described here.
 - Carry the belt pretensioner with the mouth of the detonator pipe pointing downwards. Do not hold your fingers over the detonator pipe or on the wire rope.
 - The belt pretensioner must be handled and stored in compliance with local regulations.
-

Luxury seat

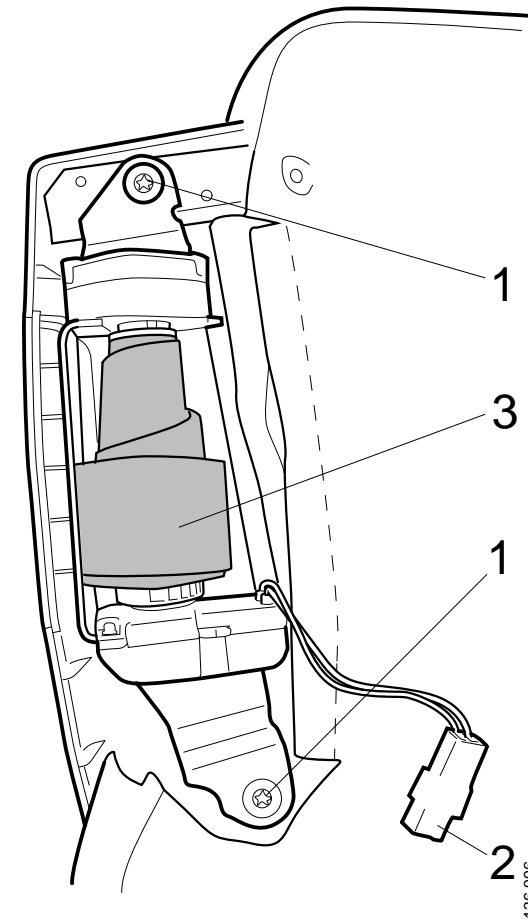
1. Cut the belt.
2. Push the upper part of the backrest forward as far as it will go.
3. Remove the cover retaining screws.



4. Disconnect the cable harness (2) under the belt pretensioner.
5. Remove the inertia reel (3) and detonator pipe.
6. Remove the screws (1).

! IMPORTANT!

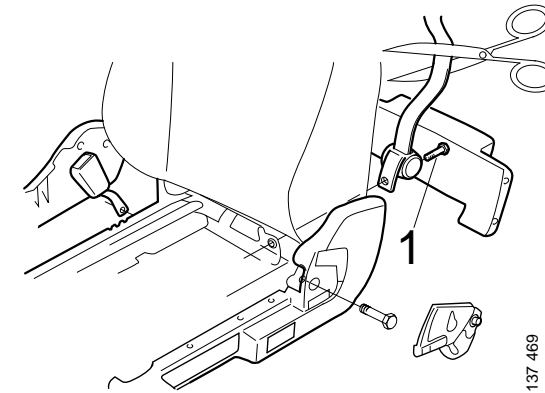
Handle and store the belt pretensioner in compliance with local regulations.



1. Screws
2. Cable harness
3. Inertia reel

Medium seat

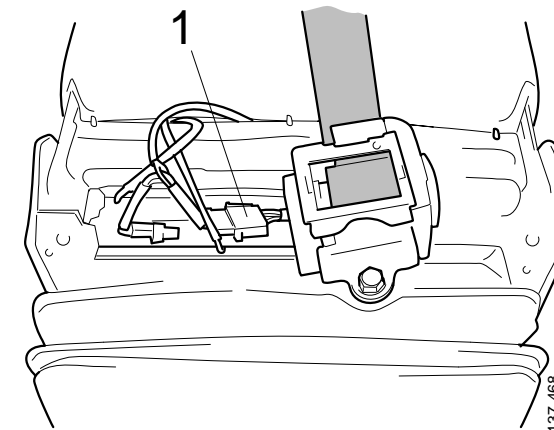
1. Remove the rear lower casing.
2. Cut the belt.



3. Disconnect the cable harness.
4. Remove the screw for the inertia reel.
5. Remove the inertia reel and the detonator pipe.

IMPORTANT!

Handle and store the belt pretensioner in compliance with local regulations.



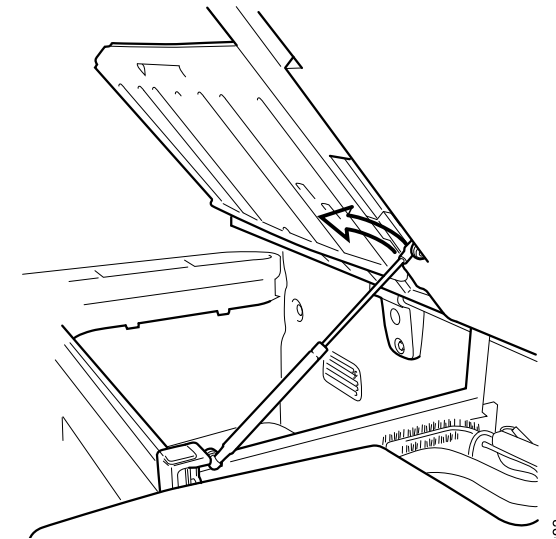
1. Cable harness

Sleeping equipment

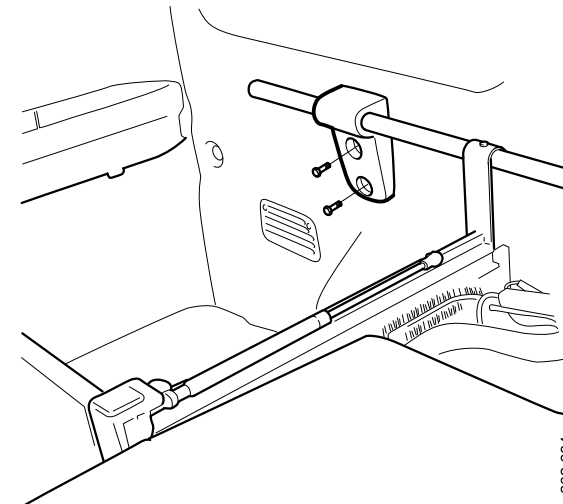
Lower bed

1. Remove the mattress pad, mattress and support pad.
2. Detach the damping cylinder on the bottom plate.
3. Remove the bottom plate.

4. Detach the bracket for the lower bunk mounting device.

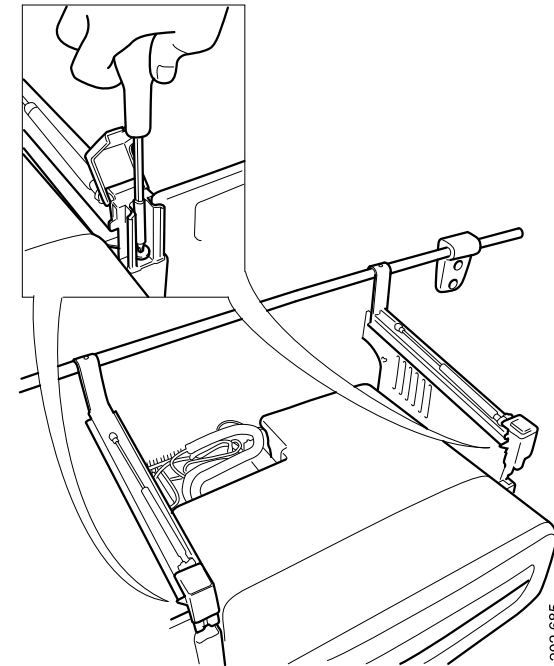


83



202 684

5. Undo the bed support screws.
Press up the blanking piece with a screwdriver or similar.

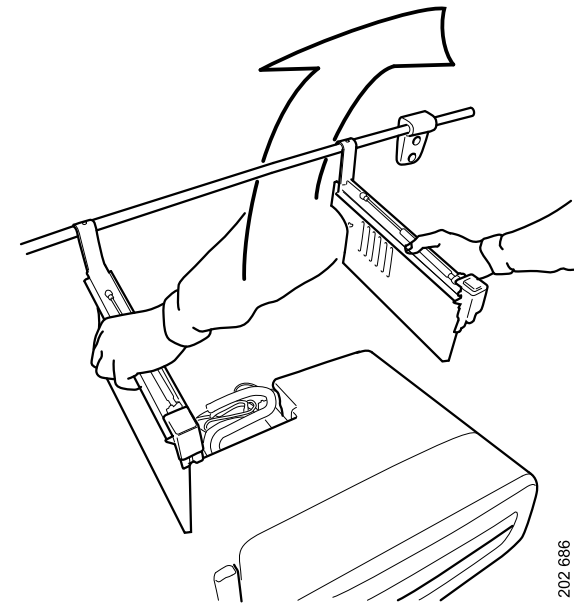


202 685

6. Remove the bed support and mounting bracket. Lift out the bed.

Note:

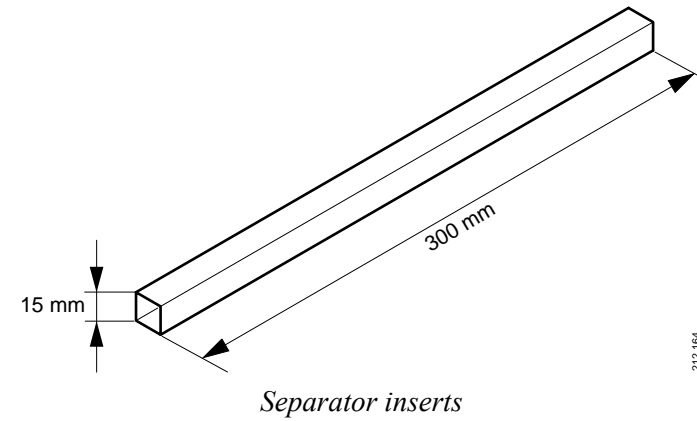
2 persons are required to lift out the bed.



202 686

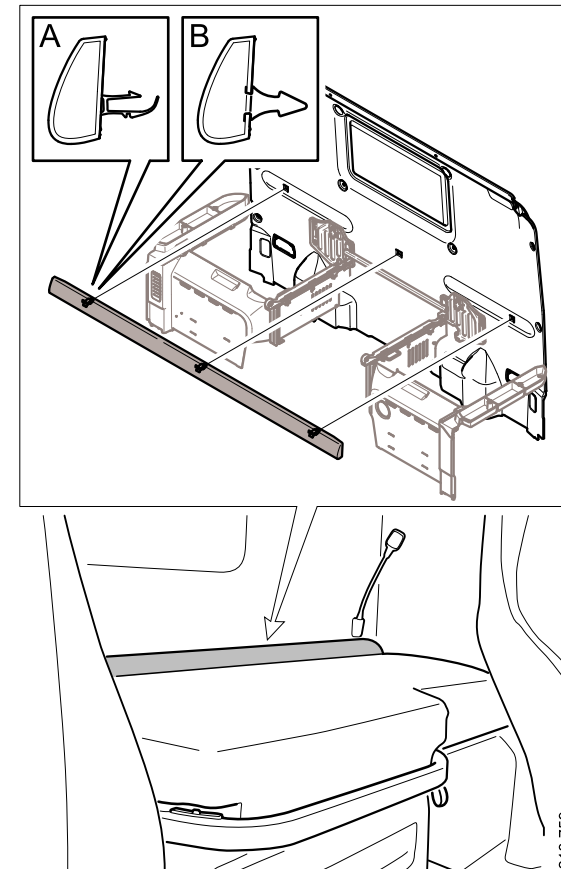
Lower bed, extendable

1. Fabricate 2 separator inserts from square tube or similar. The dimensions are to be 15x15x300 mm. These are later engaged in the rails when the bed is to be removed.
2. Remove the passenger seat.



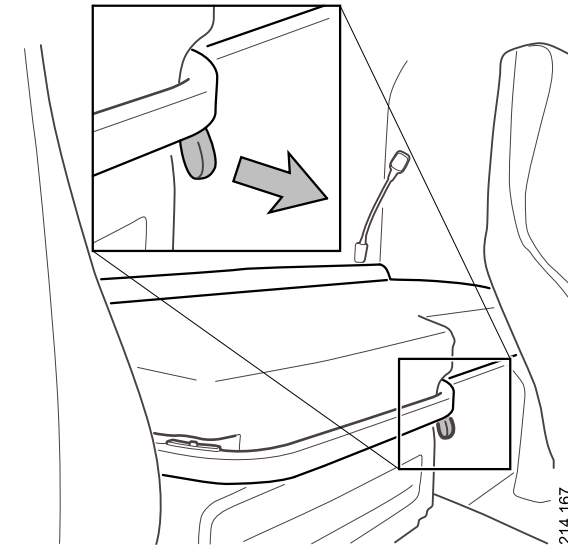
212 164

3. Remove the seal between the bed and wall.



A. Plastic clamp
B. Metal clamp

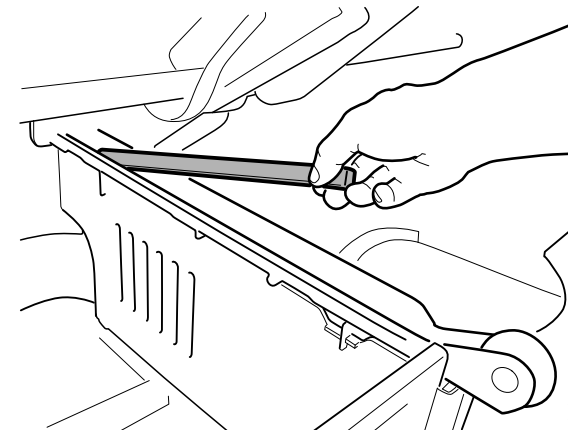
4. Pull the latch to fold up the bed.



5. Place the separator inserts on the rails. These prevent the bed from locking when it is folded down again.

6. Detach the gas springs on the underside of the bed.

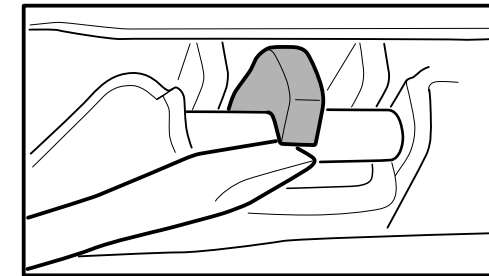
7. Fold down the bed.



8. Unclip the bed from the wall brackets and lift out the bed.

Note:

2 persons are required to lift out the bed.



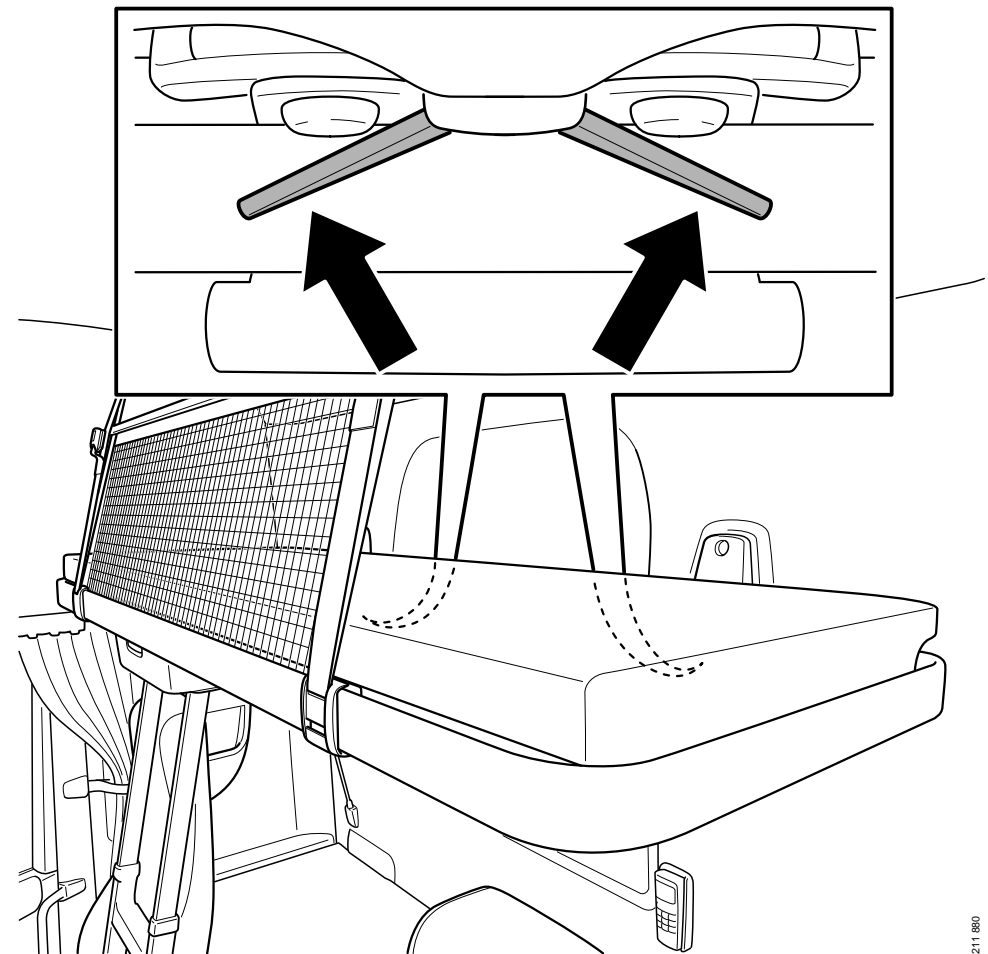
Upper bed

Remove the bed by unclipping the safety net and removing the belt hooks in the roof.

Bend back the locking tabs on the bed wall brackets.

Note:

2 persons are required to lift out the bed.



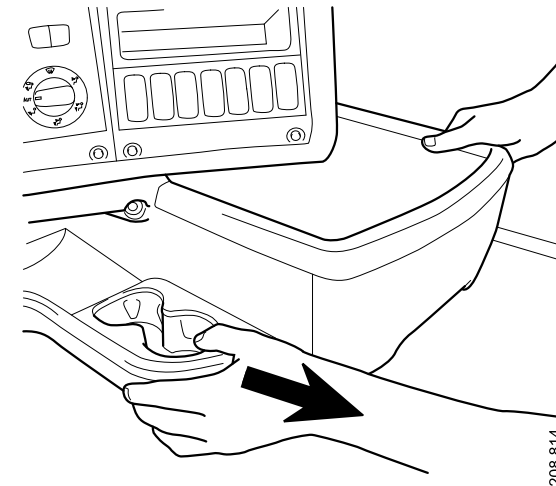
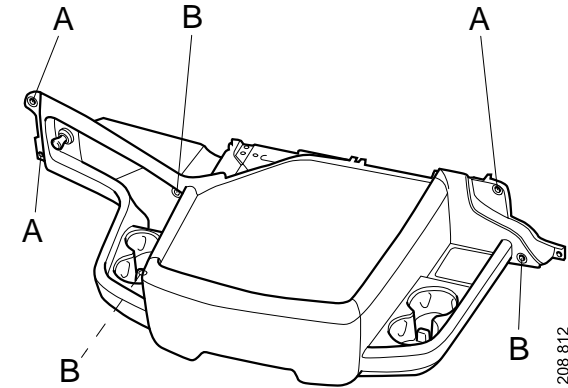
211 880

Storage

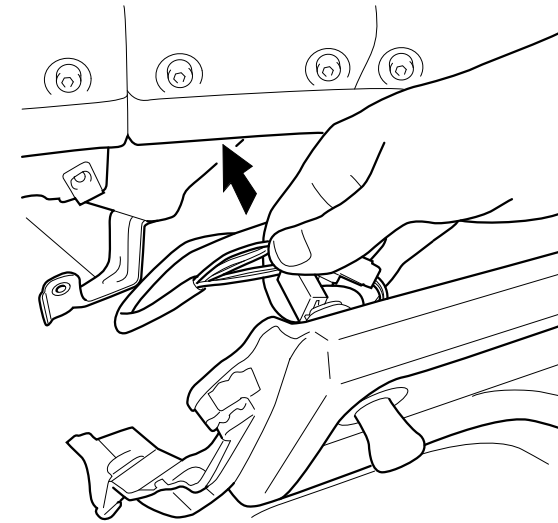
Front lower storage in G and R cab

Remove the parts in the following order:

1. Covers under the instrument panel to gain access to the 3 hidden screws of the storage box and screws (A and B).
2. Pull out the storage box to disconnect the cigarette lighter connector.



3. Disconnect the cigarette lighter connector.
4. Remove the storage box.



208 815

R19 Highline roofshelf

The work description describes how to remove the entire roofshelf.

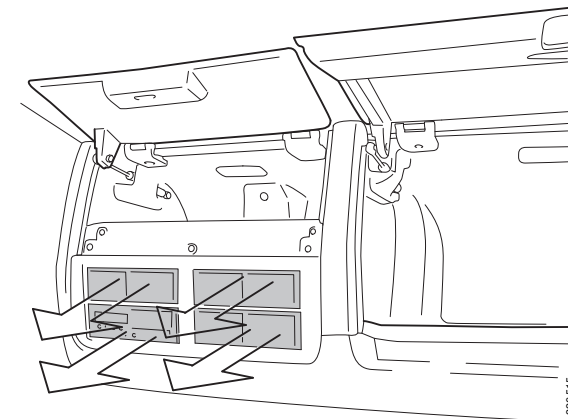
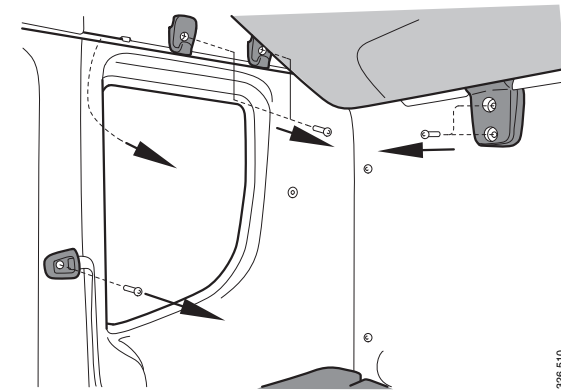
First remove the following parts:

- Driver's seat
- Passenger seat
- Upper bed¹
- Curtain rail
- Curtain retainer
- Coat hooks and lamps¹
- Wall and ceiling panels according to description above.

IMPORTANT!

This involves heavy lifting, so some of the work must be carried out by 2 people.

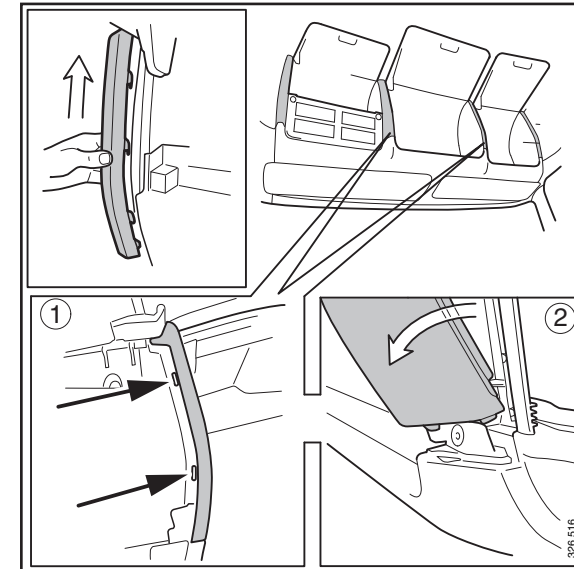
1. Remove the two-way radio, tachograph and switch panels.



1. Option

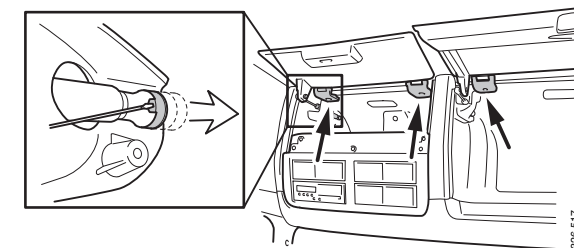
2. Remove the trim panels by first pressing them upwards and then lifting them out.

- The outer trim panels are hooked into the roofshelf.
- Panels in the middle are attached with 4 hooks.

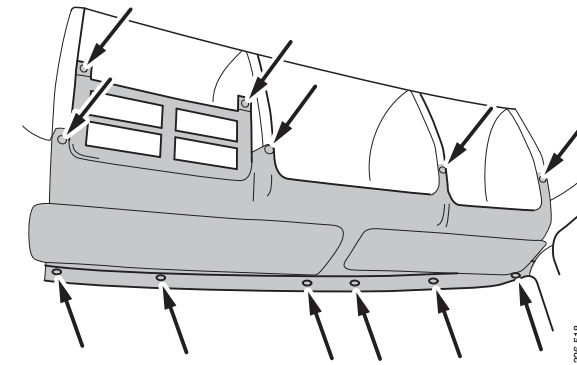


3. Remove the shelf in the centre compartment and the shelves above the passenger area.

4. Remove the gas springs for the hatches from the inner bracket. Remove all hatches.



5. Remove the screws securing the lower panel of the roofshelf. The two-way radio panel will come with it.
6. Remove all electrical connections.
7. Remove the roofshelf.



Panels

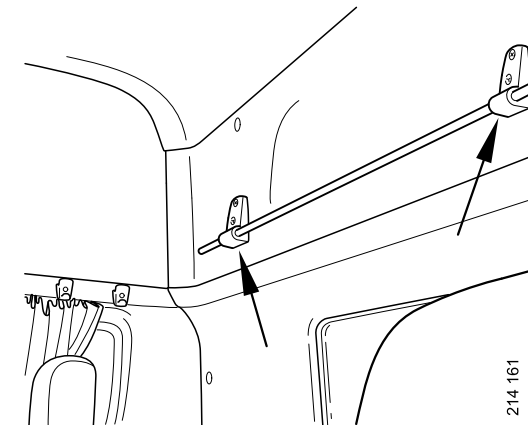
The work description shows how to remove the wall and ceiling panels (upper rear panel, ceiling side panel and ceiling panel) in the cab of R19 Topline.

Rear wall panel

In order to remove the ceiling panels, the wall panels and passenger seat must be removed first.

Remove the parts in the order below:

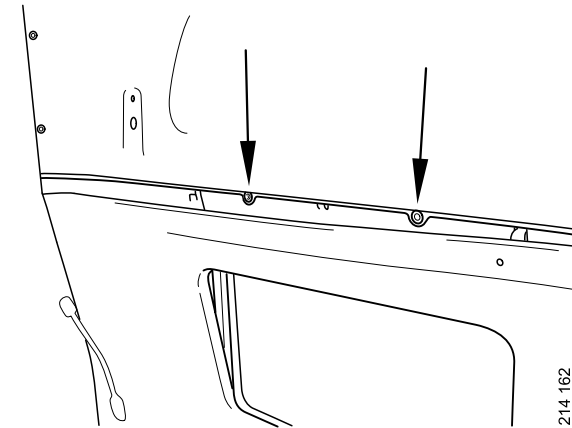
1. Upper bed.¹
2. Brackets for bed mounting device.¹



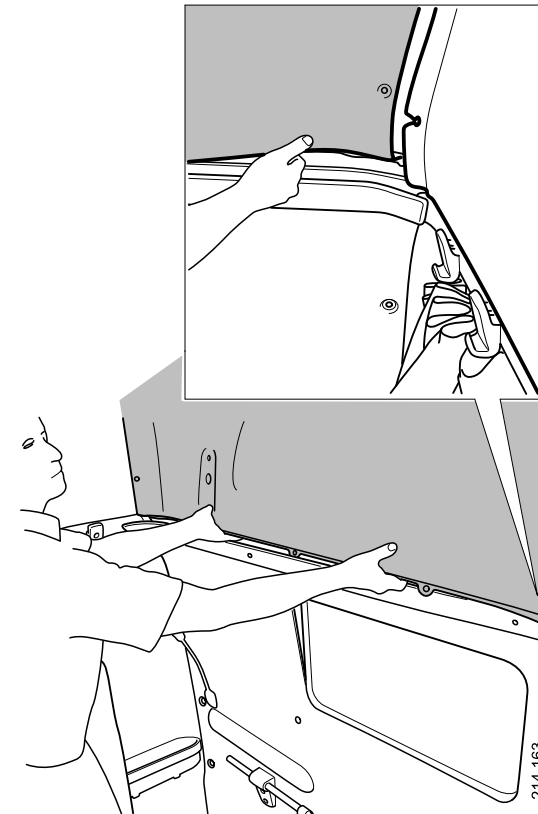
1. Option

3. Clamp screws (8 off) or clamps that secure the upper rear panel to the cab structure.

The 2 lower clamp screws or clamps of the ceiling panels are hidden under the wall panel. So remove the rear wall panel to gain access to the clamp screws.



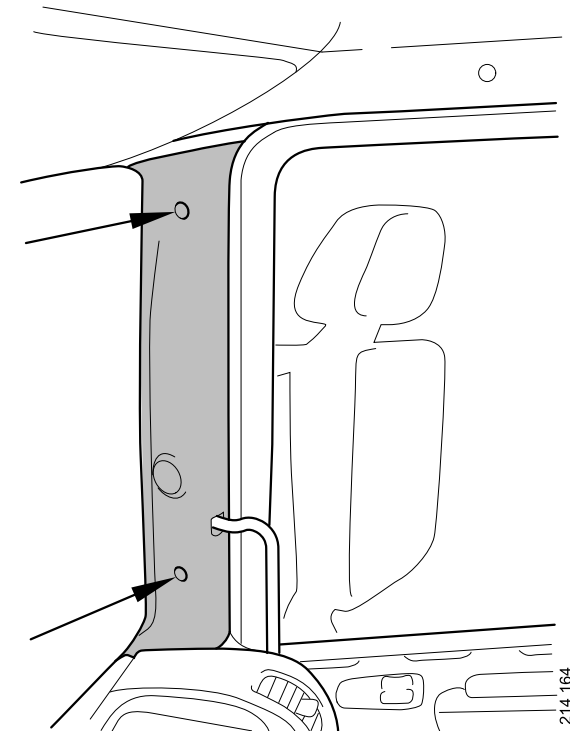
4. Undo the upper rear panel by lifting it upwards slightly and then pulling it outwards from the centre.



Side panels

Remove the panels in the order below:

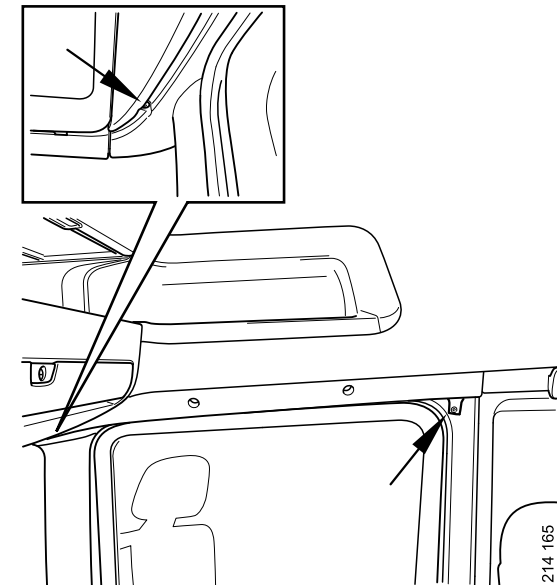
1. Door trim panels on front door pillar.



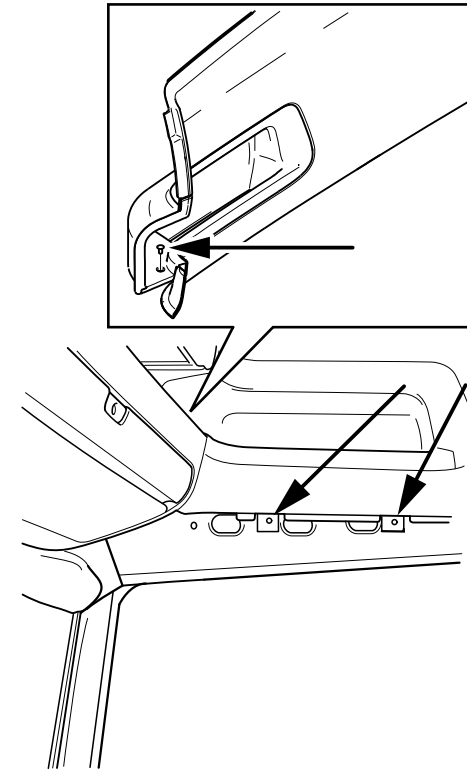
2. Door trim panels above door

Note:

The screw is under the curtain rail.

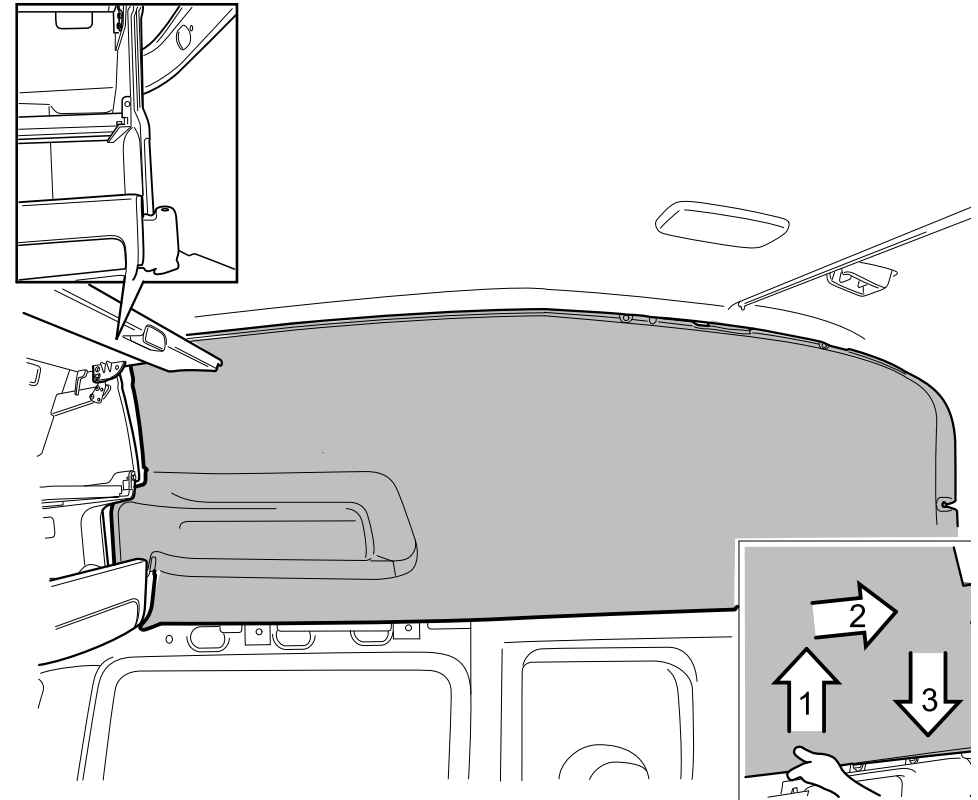


3. Screws which secure the roof side panels to the cab structure.



202 752

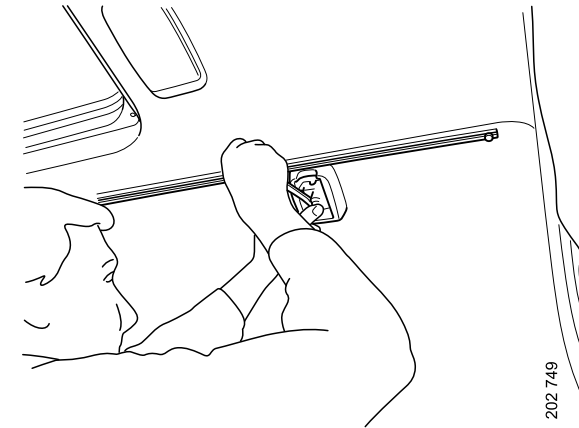
4. Pull the roof side panel upwards somewhat (1) and then backwards (2) and down (3) so that it is released from the groove in the storage box.



Ceiling panels

Remove the panels in the order below:

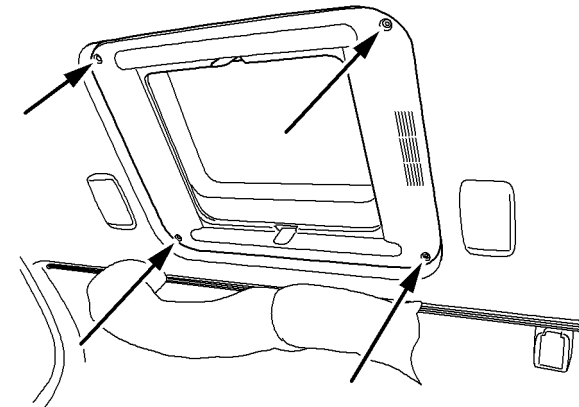
1. Brackets for the bed belt mounting.



202 749

2. Roof hatch frame.

3. Rivets and ceiling panel.

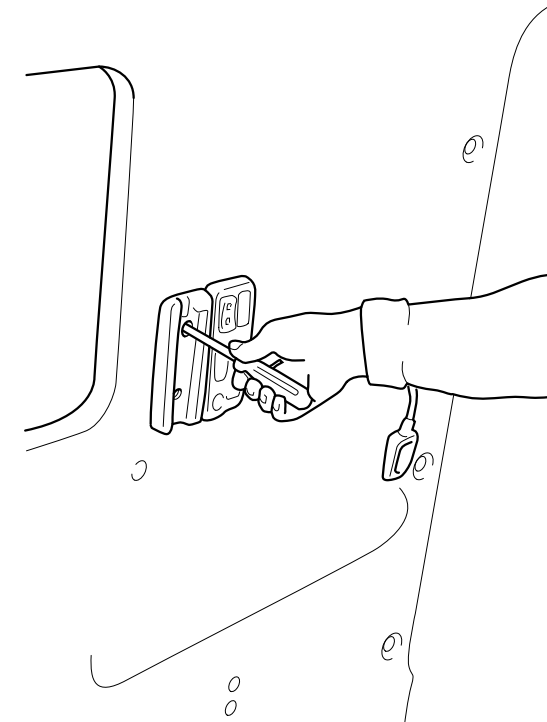


Wall panels

First remove the rear panel and seats. Use tool 588 920 to remove the clamps.

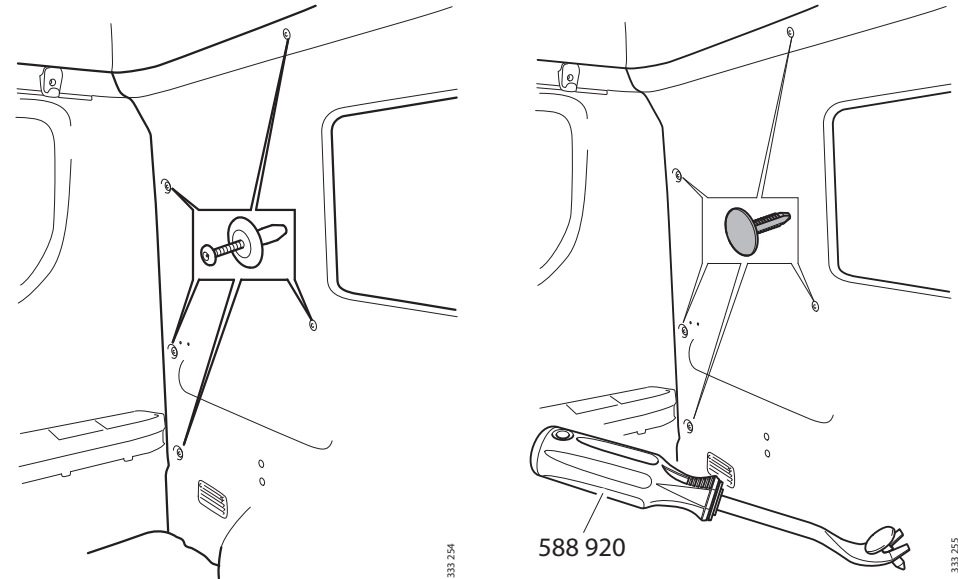
Rear panel

1. Bed lamps and other parts.¹



1. Option

2. Clamp screws or clamps that secure the panels to the cab structure.

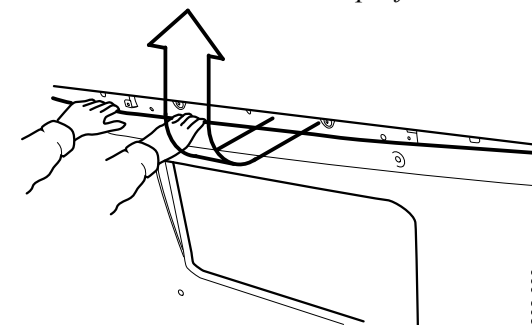


Clamp screws, up to December 2009

Clamps, from January 2010

3. Pull the panel outwards and up.

4. Remove the rear panel.

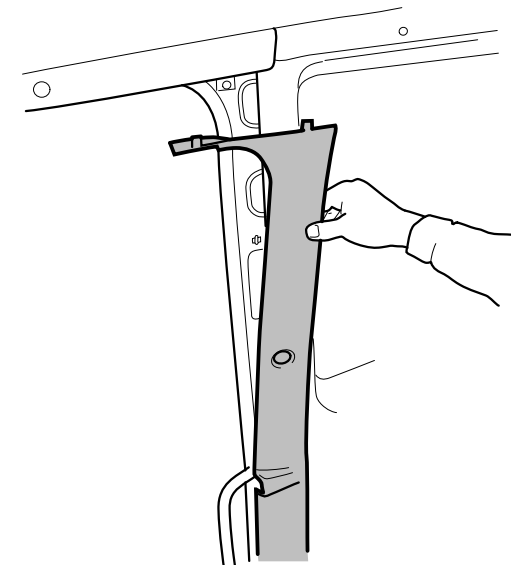


Side panel

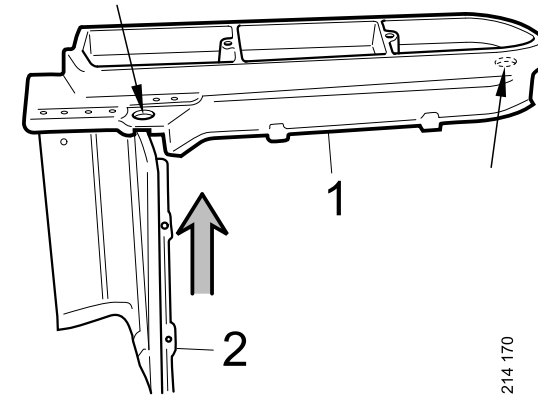
Remove the parts in the order below:

1. Coat hooks and curtain tiebacks.
2. Curtain rail.

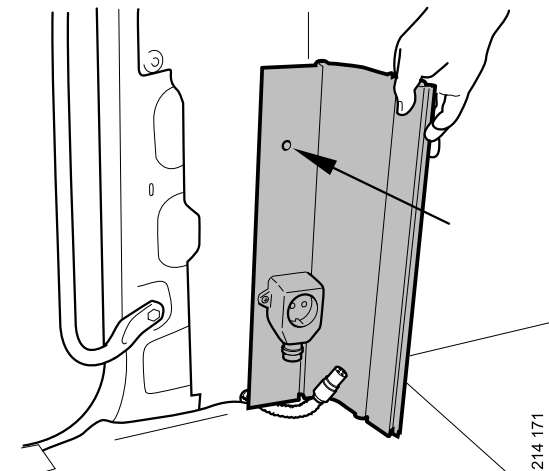
3. Panel beside the door.



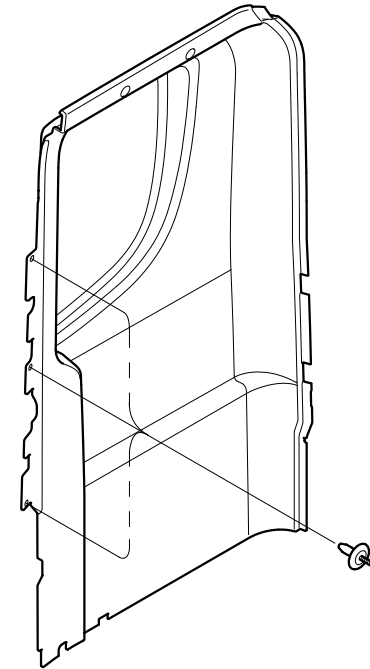
4. Storage compartment and plastic disc by the bed support.



5. Bed support.



6. Clamp screws.
7. Side panel.



202 695