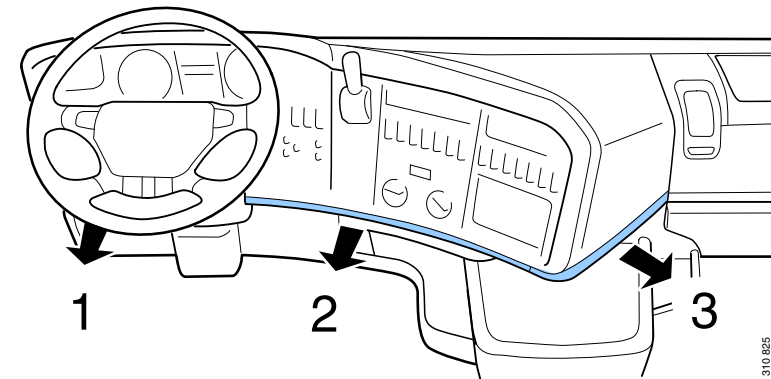


Work description

Upper panel

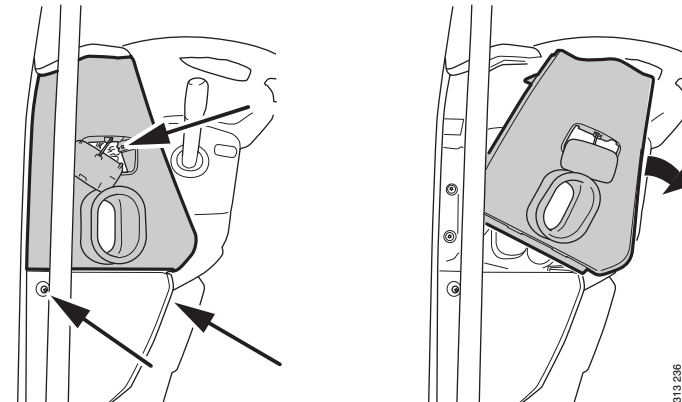
Remove the panel as follows:

1. Start with the decorative strips, in the order shown in the illustration.

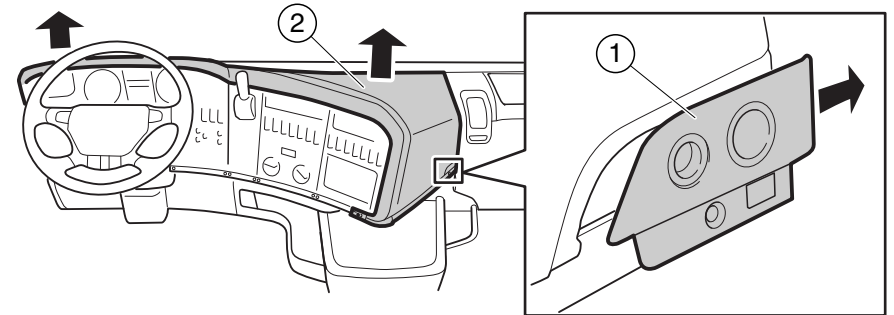


1. *Left-hand decorative strip*
2. *Decorative strip in the centre*
3. *Right-hand decorative strip*

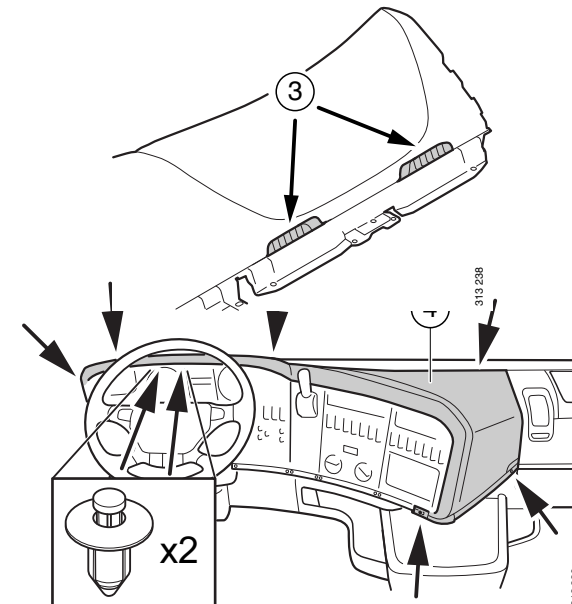
2. Side panel on driver side: Undo the lower casing and remove the screw from the diagnostic socket. Remove the casing.



3. The electrical socket panel (1) must be removed before the upper panel (2) can be removed.



4. Lift at the instrument panel defroster vents (3) and remove the upper panel (4).



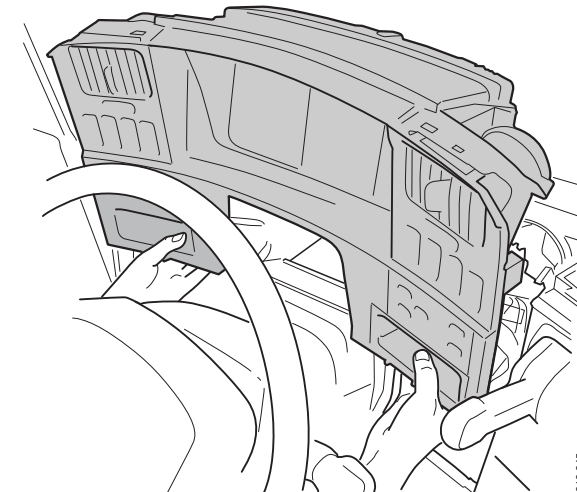
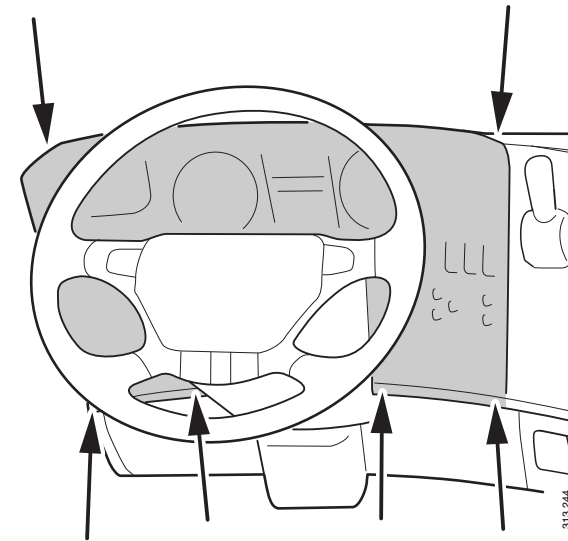
Control panel

Behind steering wheel

Remove the control panel as below:

1. Start with the upper panel, as above.
2. The control panel screws are shown in the illustration.

3. The connector must be disconnected before the control panel can be lifted away.

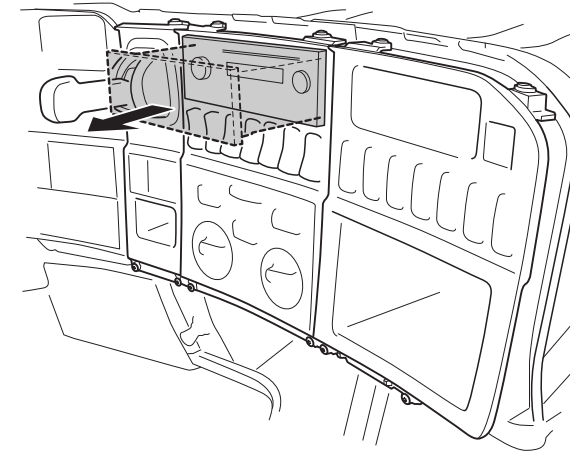


Next to the steering wheel

The radio must be removed before the control panel is removed.

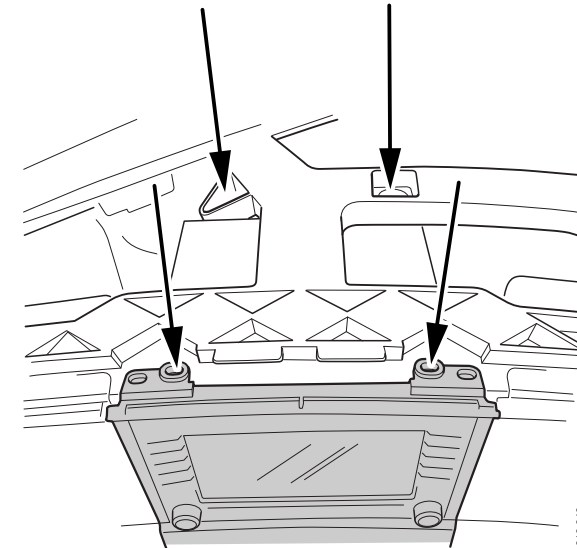
Standard radio

1. Remove the upper panel, as above.
2. Pull out the radio.



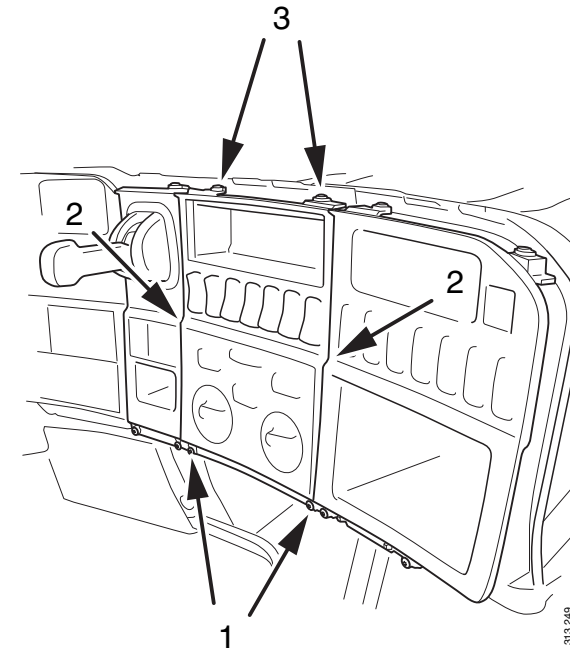
Radio with navigation

3. Remove the upper panel, as above.
4. Undo 4 screws and pull out the radio.



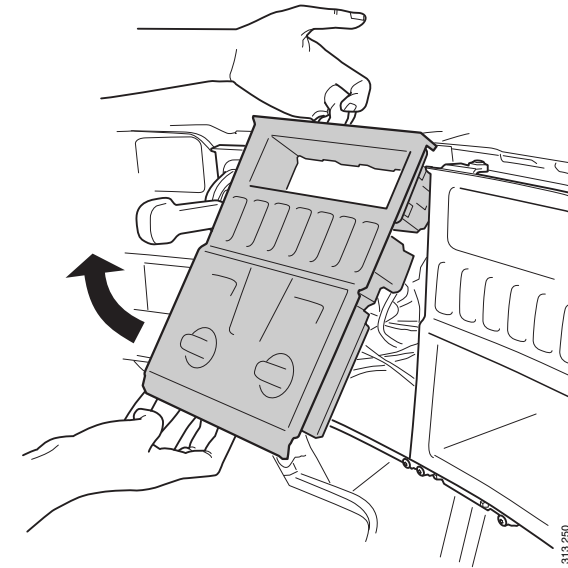
The mounting panel is removed as below:

1. Remove the screws, snaps and hooks securing the mounting panel as illustrated.



1. *Screws*
2. *Snaps*
3. *Hooks*

2. Lift off the mounting panel.



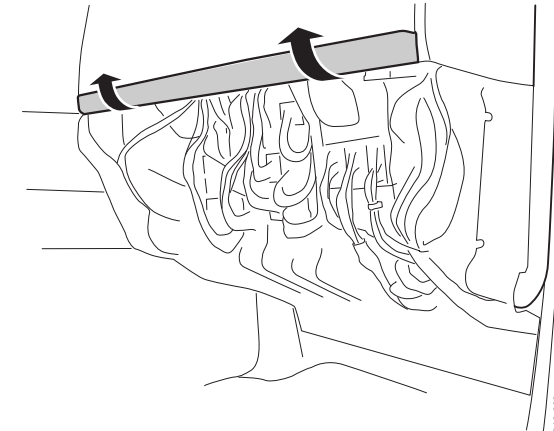
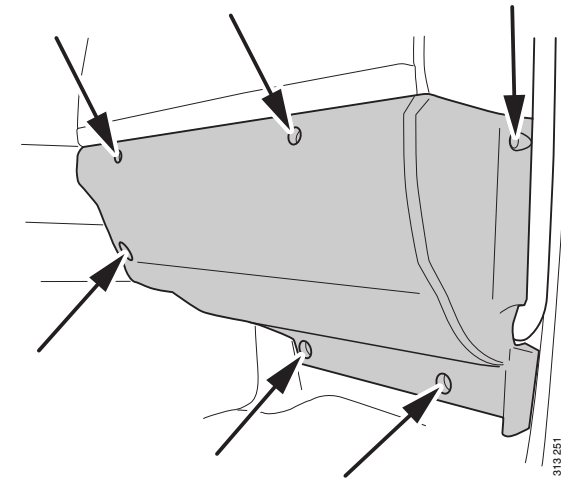
Panel on the passenger side

Remove the panel in the following order:

1. Casing under the instrument panel.

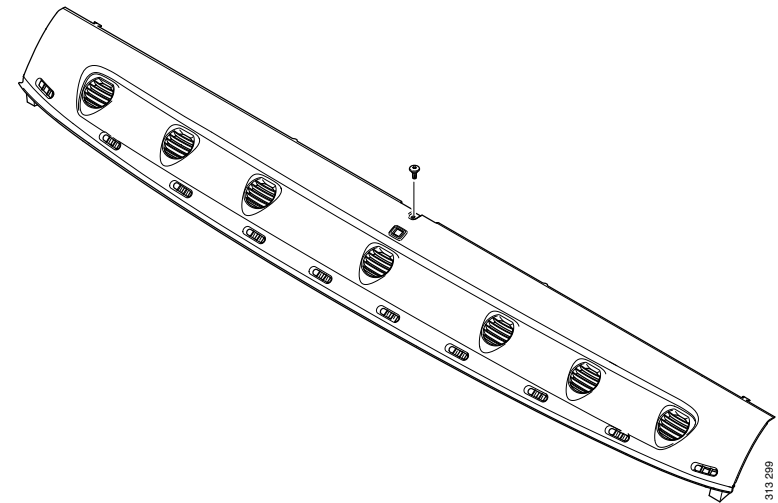
2. Decorative strip.

3. Lane departure warning.¹

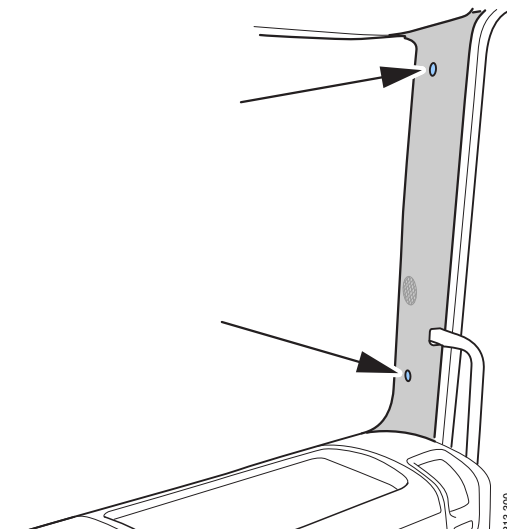


1. Option

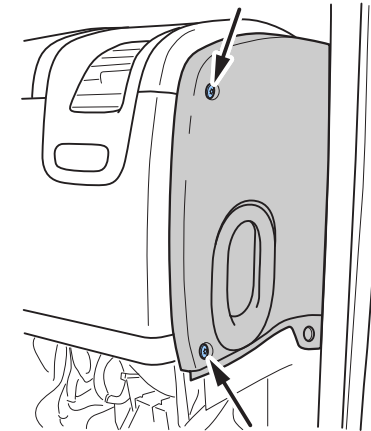
4. Defroster panel.
5. Upper panel, see the section on Upper panel.



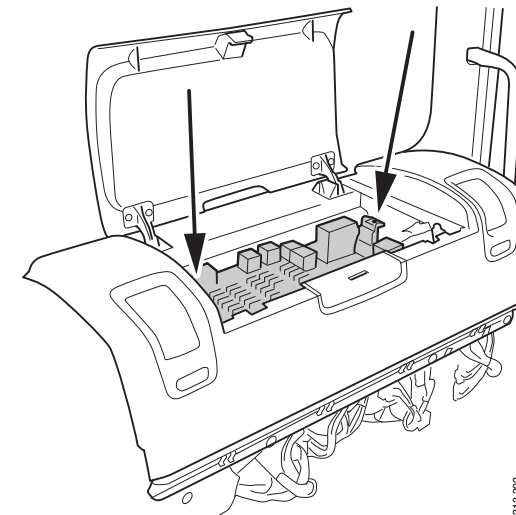
6. Front door pillar panel.



7. Side panel on the instrument panel.
8. Table.¹

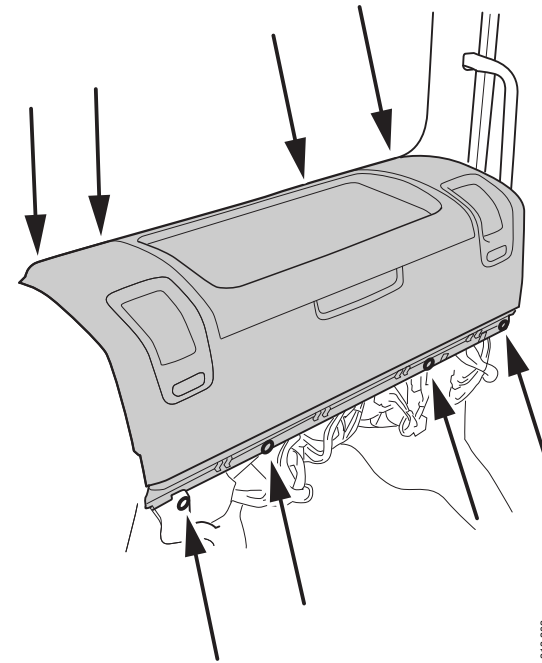


9. Central electric unit.



1. Option

10. Panel. First undo as illustrated.



3113 303

11. Lift the panel upwards and remove it.

