

## General



**WARNING!**

Risk of crush injuries! Use a lifting device when lifting brake drums.

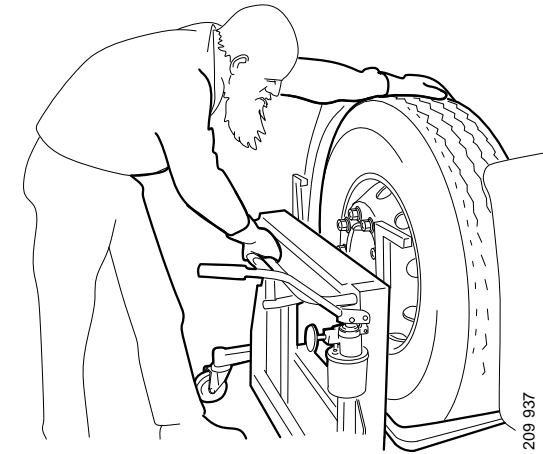
## Tools

Examples of suitable tools from Scania:

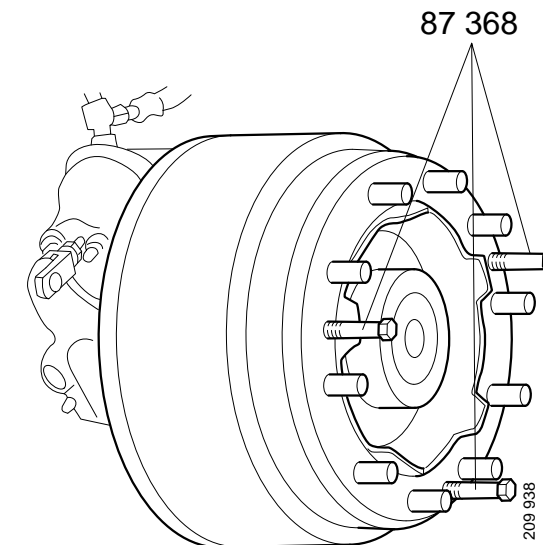
Part number	Designation
87 368	Puller screw
587 121	Wheel hoist trolley

## Work description

1. Remove the wheel. Use wheel hoist trolley 587 121.
2. Unscrew the release bolt in the parking brake chamber so that the brake drum can be rotated manually.<sup>1</sup>
3. Adjust the brake slack adjuster so that there is maximum clearance between the brake shoes and the brake drum.
4. Remove the fixing bolts between the brake drum and hub.



5. Fit three puller screws 87 368 and pull off the brake drum. Use a lifting device on the brake drum.




---

1. Wheels with parking brake chambers