

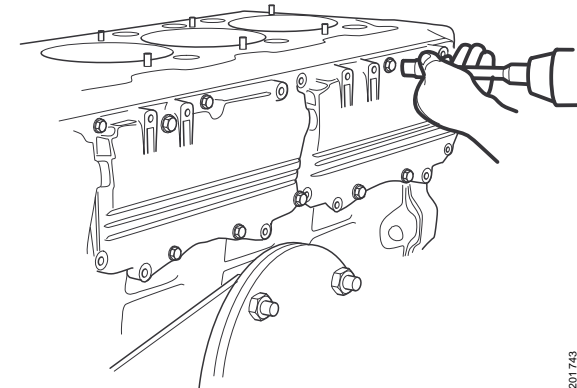
General

Applies to 9, 11, 12 and 13 litre engines with PDE, HPI, XPI or GAS.

Work description

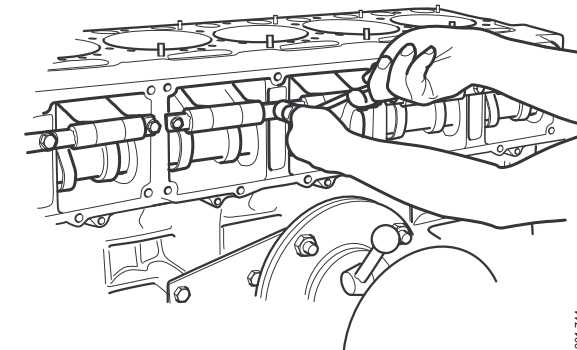
Remove the parts in the order below:

1. Flywheel
2. Flywheel housing
3. Rocker arms, pushrods and valve bridges
4. Camshaft gear
5. Intermediate gear
6. Timing gear plate
7. Camshaft covers
8. Roller tappets
9. Camshaft



Camshaft covers

201 743



Roller tappets

201 744