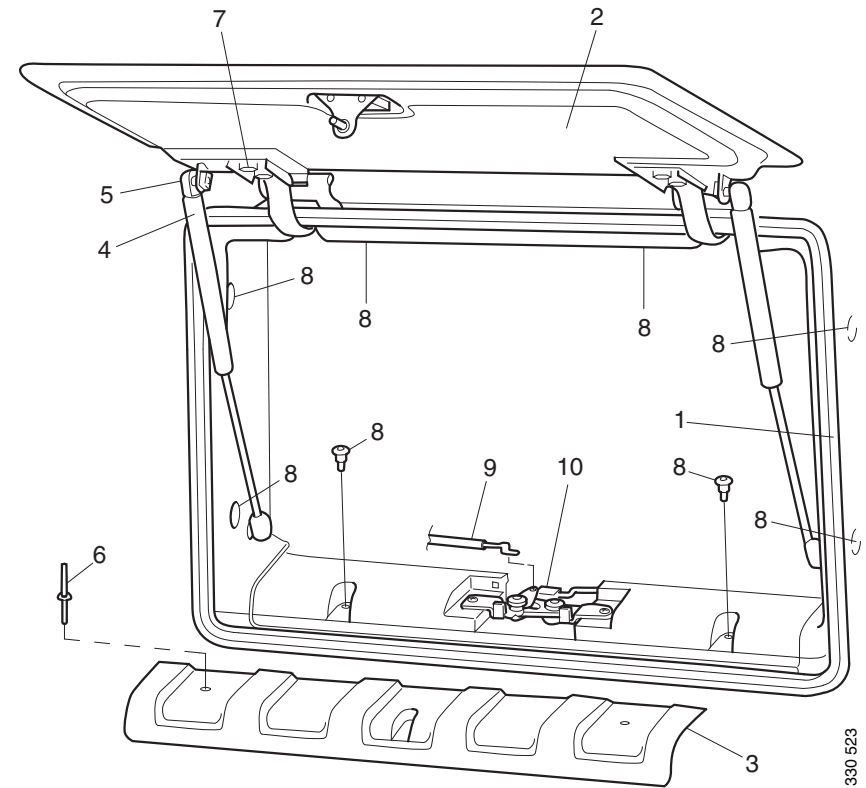
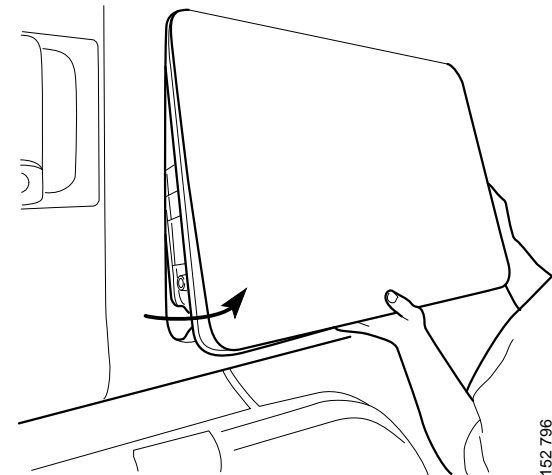
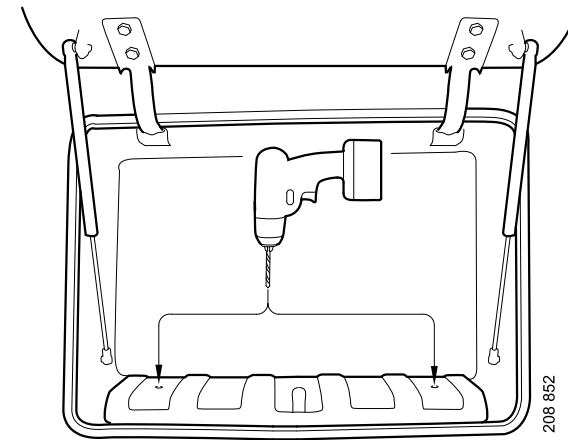


## Work description

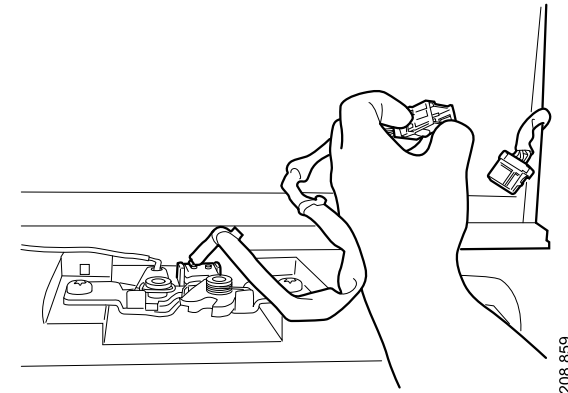
This section describes how to remove the hatch on the cab outer storage compartment.



1. Open the hatch leaf and drill out the blind rivets in the protective plate.
2. Remove the hatch frame fastening screws.
3. Lower the hatch leaf and leave it resting on the frame without locking it.
4. Pull the hatch frame out at the lower edge so that the electrical cable for the hatch connector is accessible.
5. Fold up the hatch leaf.

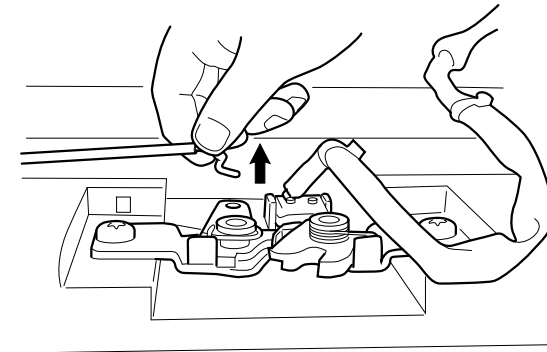


6. Disconnect the electrical connector.



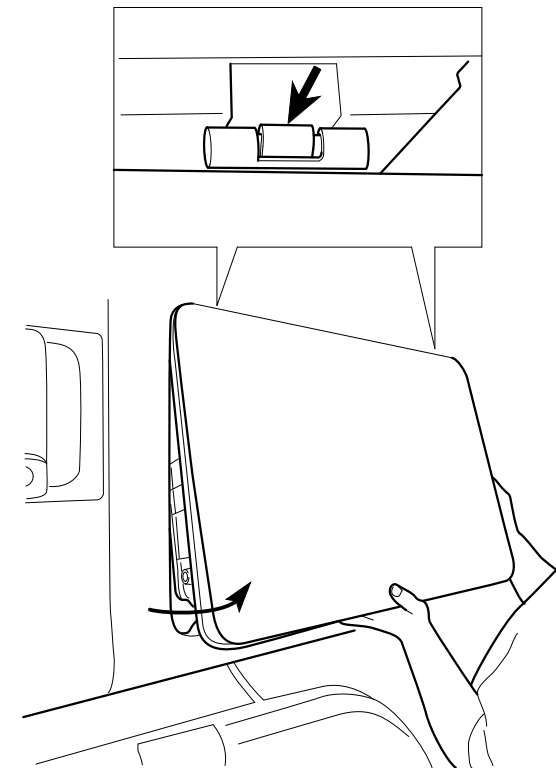
208 859

7. Remove the hatch lock cable.



208 857

8. Remove the entire hatch by first pulling it out at the lower edge and then lifting it up so that the hatch hinge does not get caught in the body.



208 855