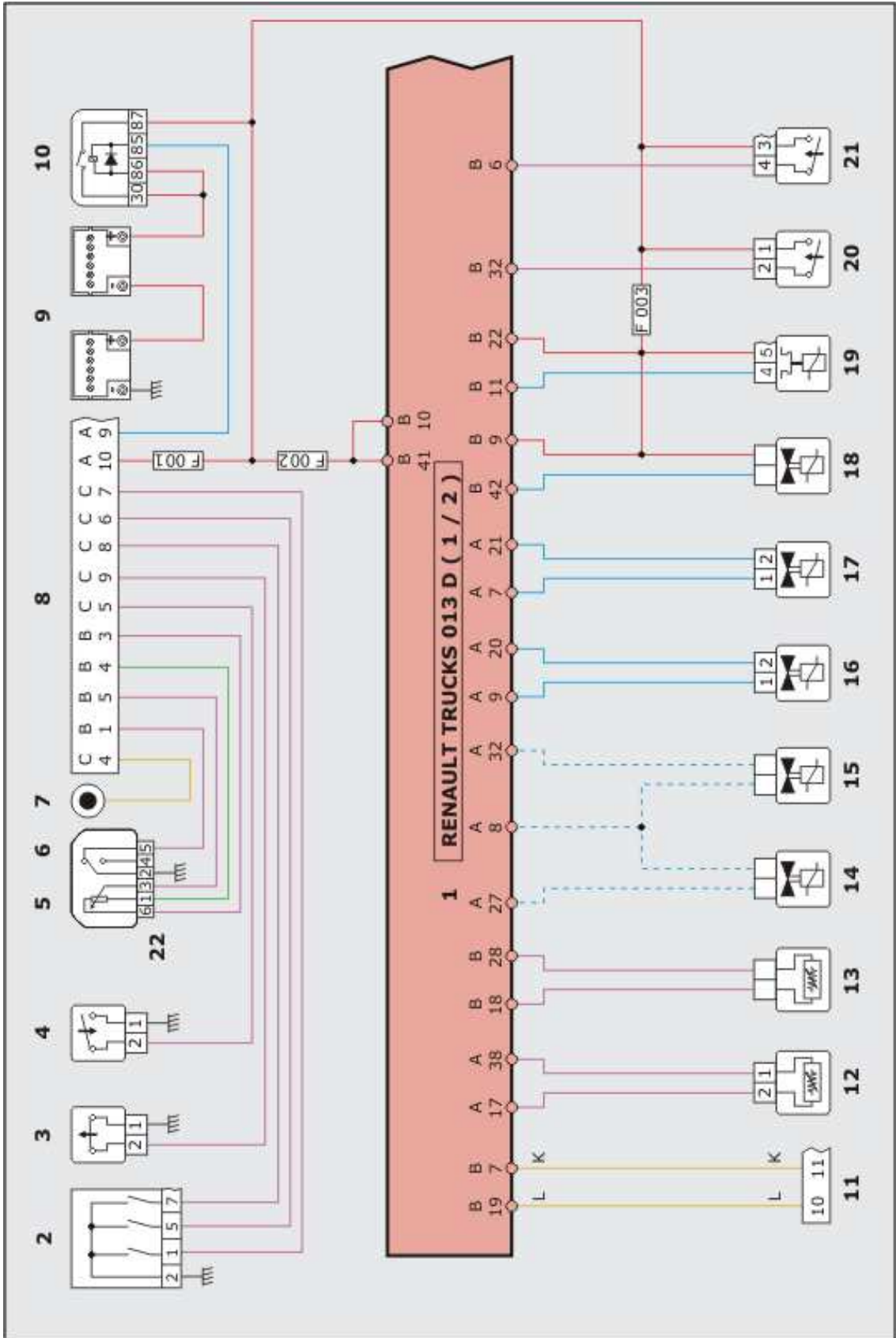
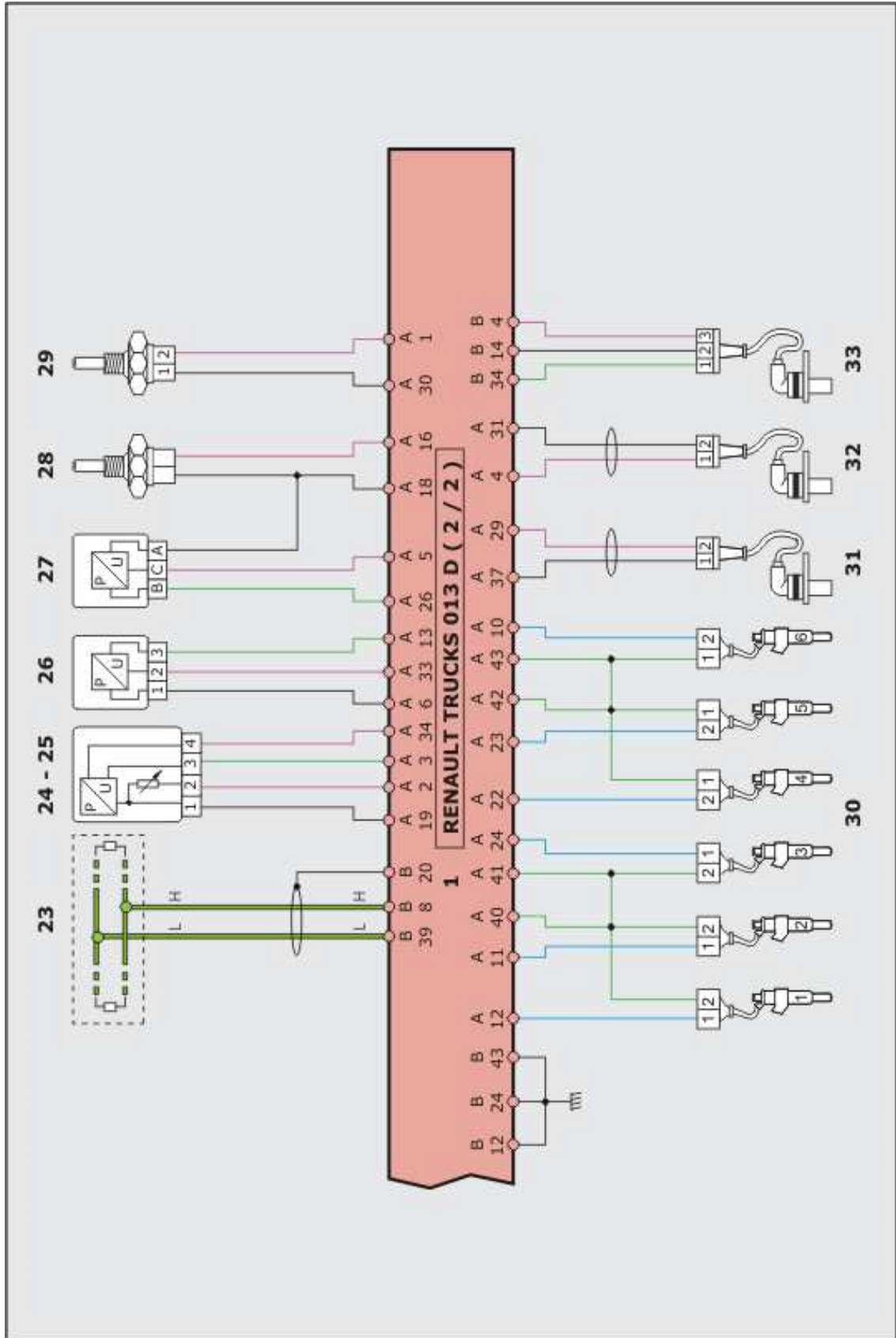


Truck/RENAULT TRUCKS/Premium/220/Truck/---/[--/01>]
Bosch/EDC/MS 6.3/[11/00>04/06]/-

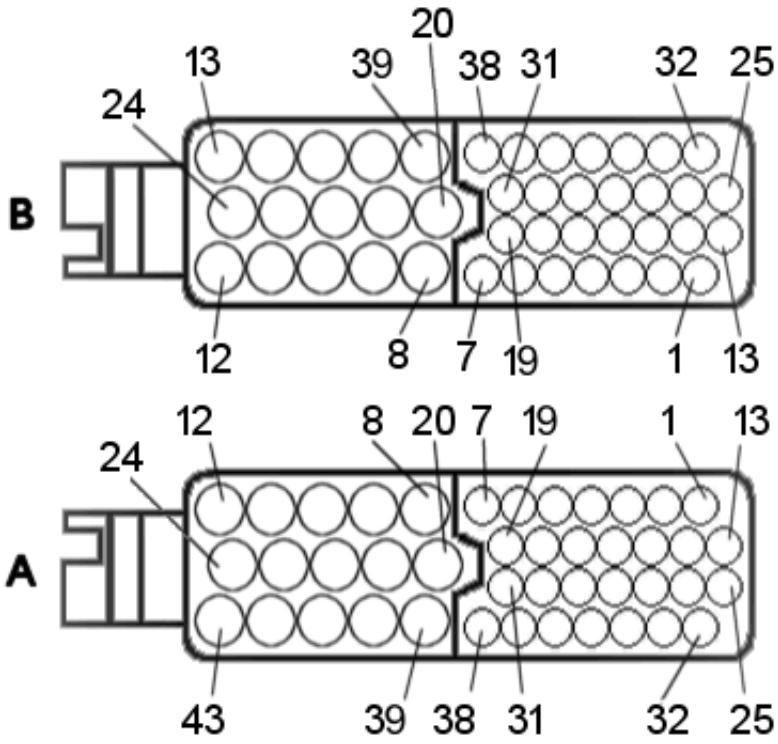


Truck/RENAULT TRUCKS/Premium/220/Truck/---/[--/01>]
 Bosch/EDC/MS 6.3/[11/00>04/06]/-



Component list**Truck/RENAULT TRUCKS/Premium/220/Truck/--/[--/01>]****Bosch/EDC/MS 6.3/[11/00>04/06]/-**

001	Engine management control unit
002	Cruise control switch
003	Clutch pedal switch
004	Neutral switch
005	Accelerator pedal potentiometer
006	Idle switch
007	Connection to starter
008	Engine vehicle setting control unit plug
009	Starting battery
010	Main relay
011	Diagnostic socket
012	Engine oil level sensor
013	Coolant level sensor
014	Motorized throttle solenoid valve No.02
015	Motorized throttle solenoid valve No.01
016	Rail pressure regulator solenoid valve No.01
017	Rail pressure regulator solenoid valve No.02
018	Engine brake solenoid valve
019	Radiator fan electromagnetic engagement
020	Engine stop switch
021	Climate control switch (if installed)
022	Accelerator pedal position sensor
023	High speed CAN BUS line
024	Boost pressure sensor
025	Air overboost temperature sensor
026	Rail pressure sensor
027	Engine oil pressure sensor
028	Engine oil temperature sensor
029	Coolant temperature sensor
030	CommonRail Injectors
031	Engine speed sensor
032	High pressure pump phase sensor
033	Radiator fan rpm sensor
F 001	10 A fuse
F 002	25 A fuse
F 003	10 A fuse
N.B.	Dotted components may be not present



ECU Pin configuration
A=43 Pin
B=43 Pin