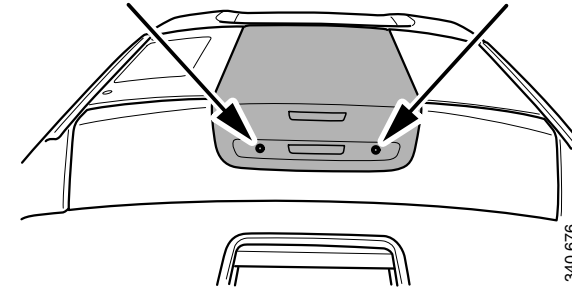
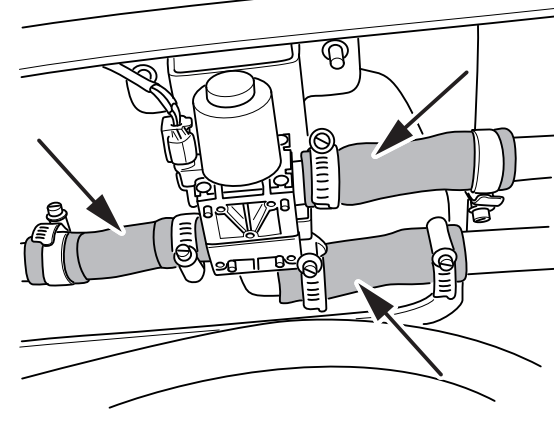
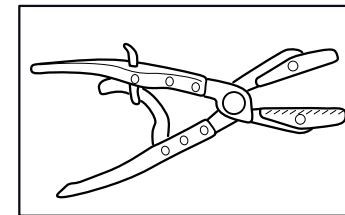


Removal

1. Open the hatch.



2. Clamp the 3 hoses together, use Scania tool 588 603 or similar.



3. Remove the connector.

4. Remove the hoses.

5. Remove the solenoid valve.

